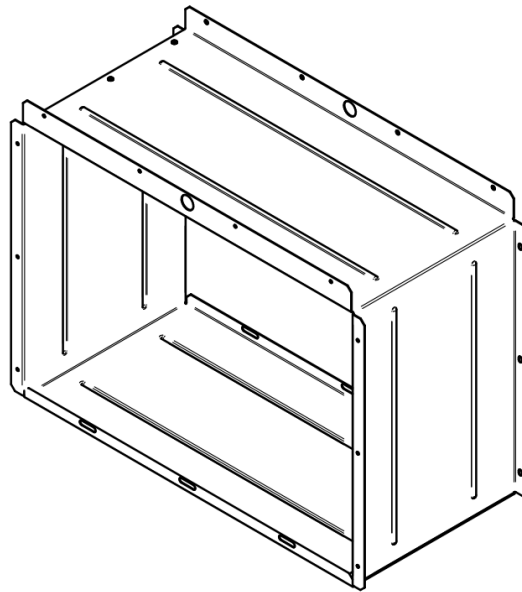




# SIDE EXTENSION FOR ANGLED SUPPORT FOR CADDY ADVANCED CR FURNACE PA08589



**WARNING: THIS ACCESSORY IS MANDATORY FOR THE INSTALLATION OF GAZ FURNACE ON THE LEFT SIDE OF CADDY ADVANCED CR.**

Verified and tested for Canada and the United States by an accredited laboratory.



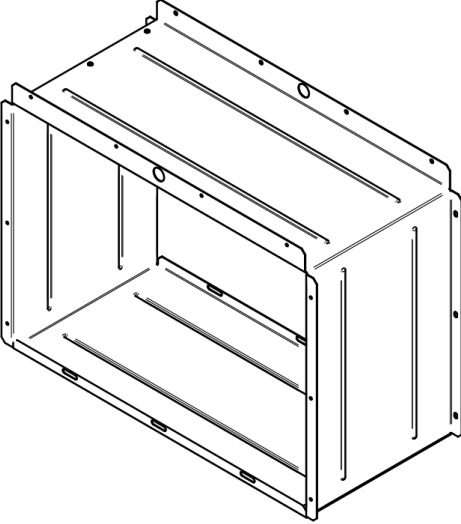
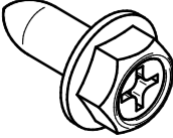
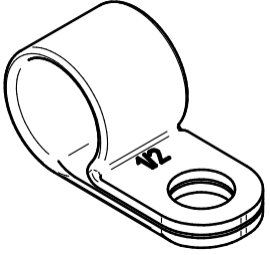
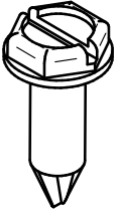
*This manual is available for free download on the manufacturer's web site. It is a copyrighted document. Re-sale is strictly prohibited. The manufacturer may update this manual from time to time and cannot be responsible for problems, injuries, or damages arising out of the use of information contained in any manual obtained from unauthorized sources*



**Eco-energy at the  
hearth of your home**

**PSG**  
250, Copenhagen street,  
St-Augustin-de-Desmaures (Québec)  
CANADA G3A 2H3

# 1. Kit content

		
SE66365 – Side duct extension (1x)	31048 – Metal Screw (15x)	31389 – Wire clip (2x)
		
30163 – Auto-tapping screw (4x)		

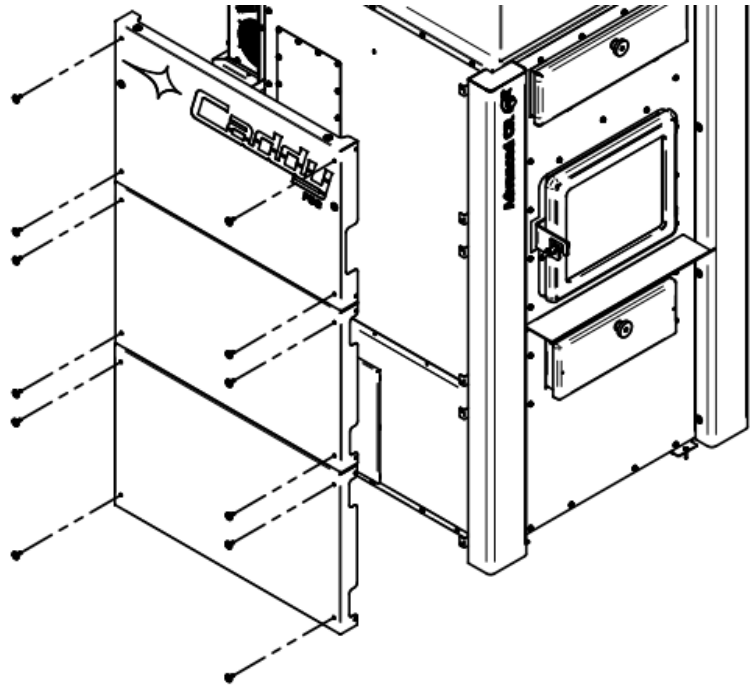
## 2. Installation of the angled support PA08555 onto the Caddy Advanced CR furnace

**Warning:** If the installation is to be on the left side on the furnace, the support must be installed with the extension PA08589 (!) to allow enough space to access the thermocouples for maintenance purposes

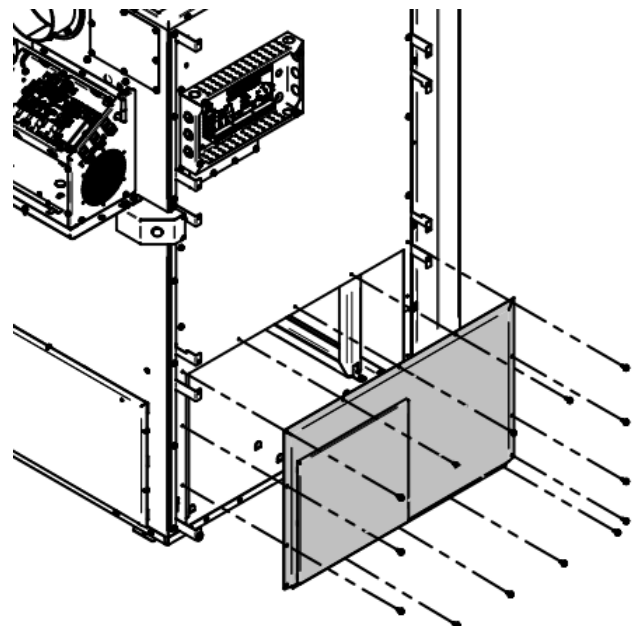
**SBI DISCLAIMS ALL RESPONSIBILITY IF THIS INSTRUCTIONS ARE NOT FOLLOWED.**

### 2.1 Installation of the conduit PA08589

1. Remove the desired side, bottom decorative panel, by removing its 4 plastic rivets. Use a flathead screwdriver to pry the rivet head away from the washer. **See photos below.**

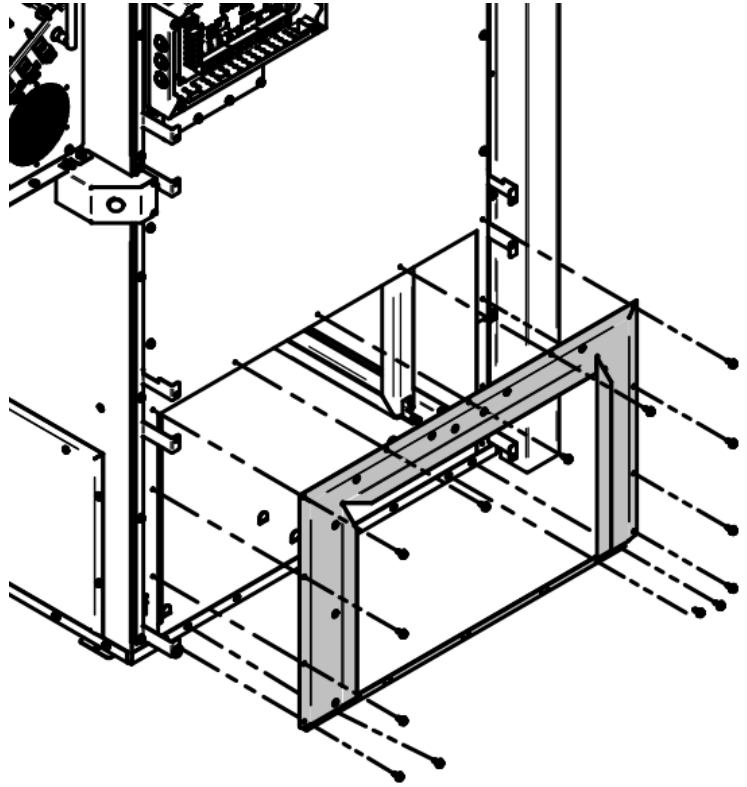


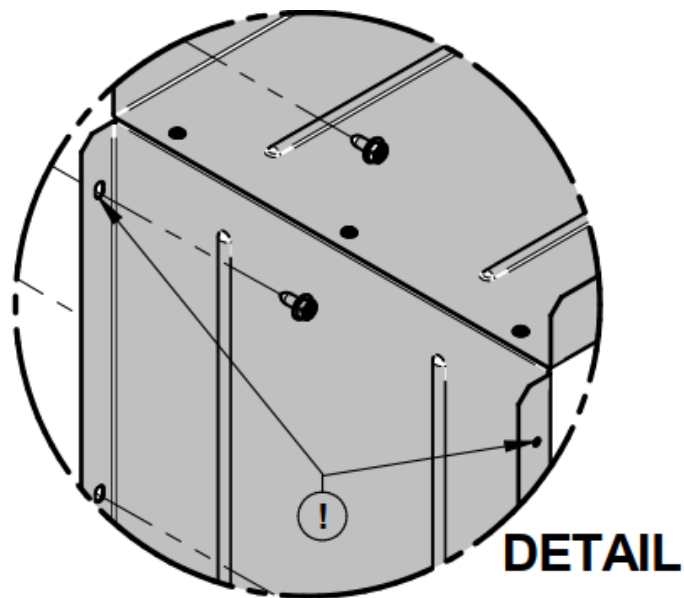
2. Remove the lower panel and keep the metal screws 31048.



2. Install the adapter PL66370. Use the metal screws 31048 previously removed to fix the adapter.

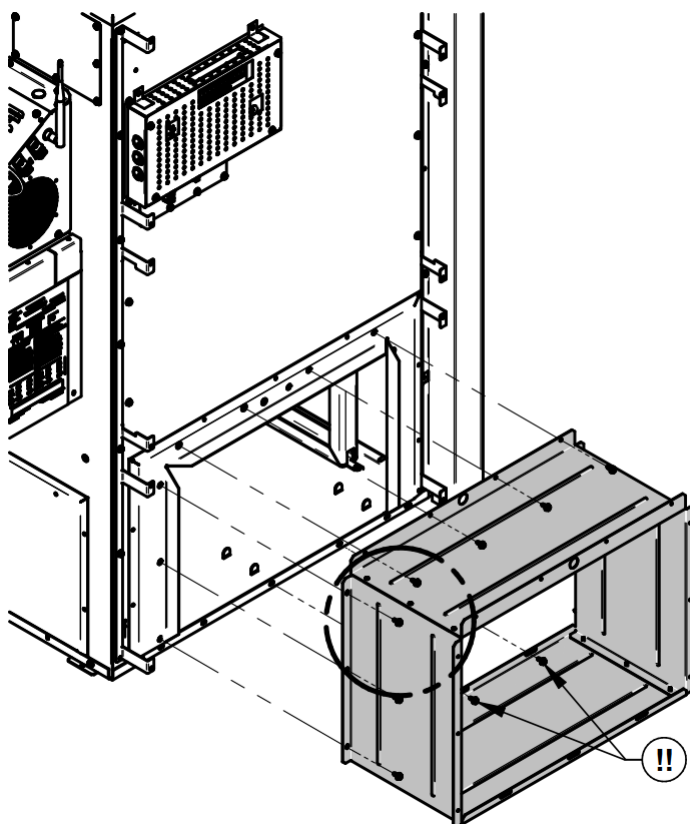
**NOTE : This adapter comes from the PL66370 kit!**



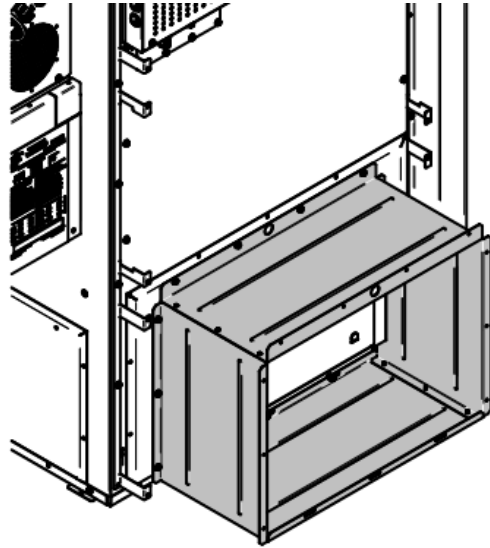


3. Fix the extension PA08589 on the adapter using metal screw 31048. **BE CAREFUL NOT TO SCREW INTO THE SMALL ROND HOLES BUT RATHER THE PASSAGE HOLES (BIGGER). (!)**

**Don't forget to also put the screws in the inside part of the extension (!!)**



4. Final result should look like the following picture



5. To install the gas unit you may continue using the dedicated instructions manual for those kits.