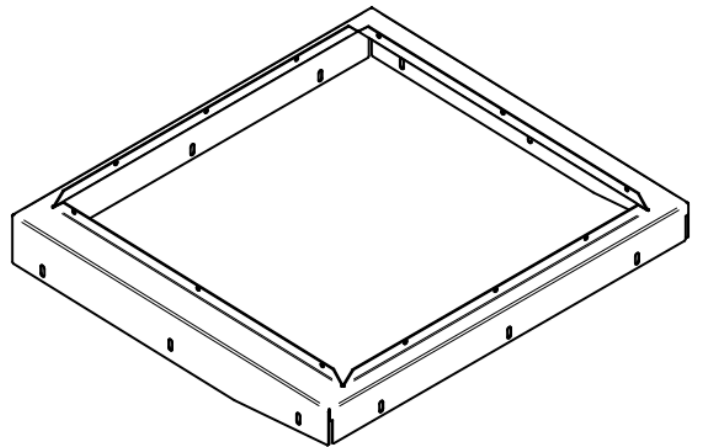
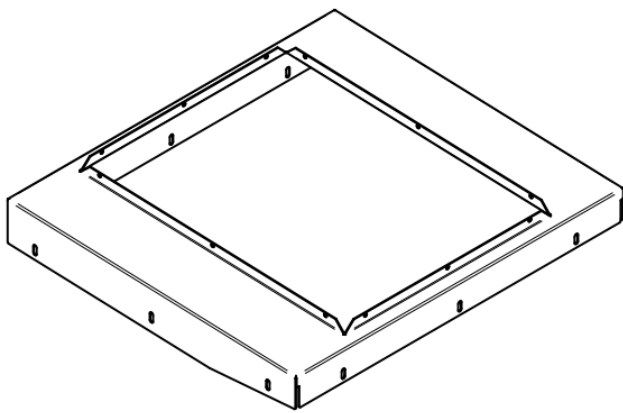




CONNECTION PLATE FOR THE DETTSON GAS FURNACE PA08592



Verified and tested for Canada and the United States by an accredited laboratory.



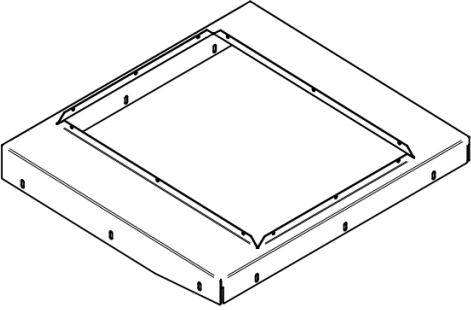
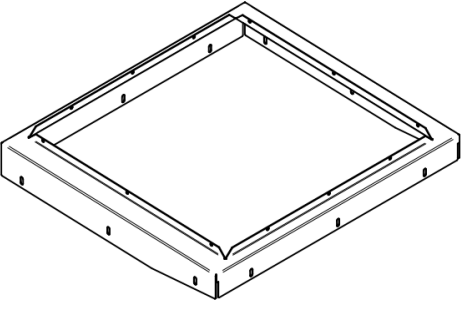

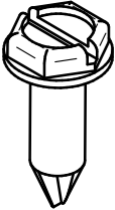
This manual is available for free download on the manufacturer's web site. It is a copyrighted document. Re-sale is strictly prohibited. The manufacturer may update this manual from time to time and cannot be responsible for problems, injuries, or damages arising out of the use of information contained in any manual obtained from unauthorized sources



**Eco-energy at the
hearth
of your home**

PSG
250, Copenhagen street,
St-Augustin-de-Desmaures (Québec)
CANADA G3A 2H3

1. Kit content

		
<p>PL66371 – Connection plate (1x) 60 to 75 kBtu/hr</p>	<p>PL66372 – Connection plate(1x) 105 to 120 kBtu/hr</p>	<p>31048 – Metal screw (15x)</p>
 <p>30163 – Self-tapping screw (15x)</p>		

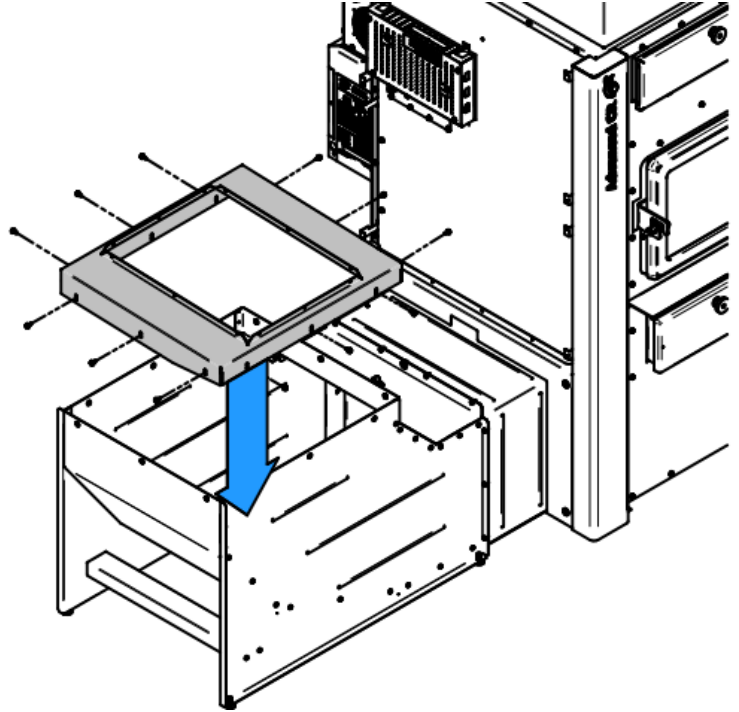
2. Installation of the connection plate on the angled support

WARNING : The following instructions only show the assembly on the left side. The assembly on the right side is also doable.

1. Choose the proper plate according to the heat output provided by the gas furnace :

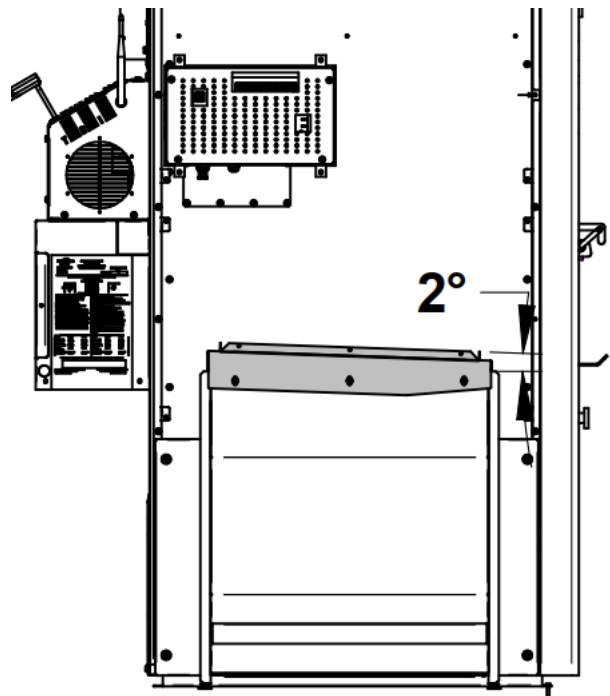
PL66371 : 60 to 75 kBTU/hr
PL66372 : 105 to 120 kBTU/hr

2. Lay the plate onto the top of the angled support
3. Secure it with the supplied metal screws 31048.

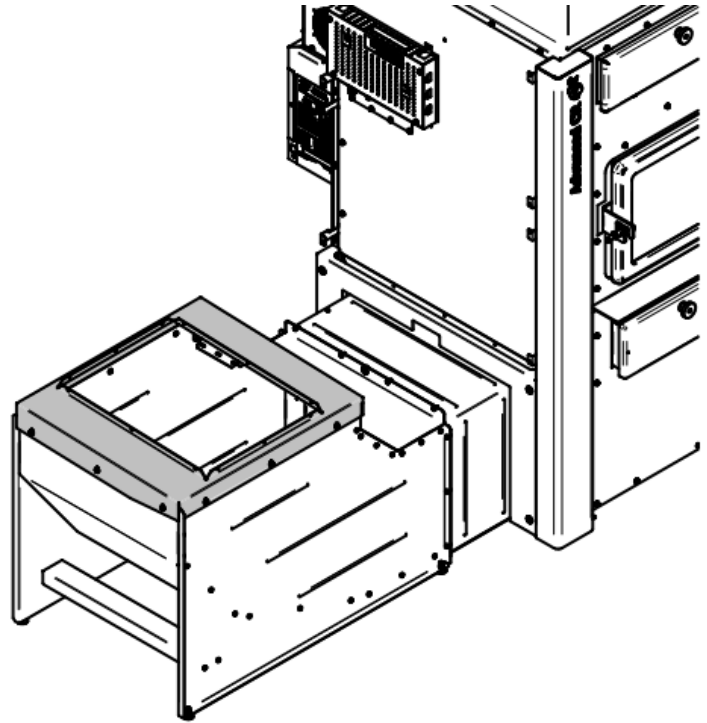


WARNING : Make sure the plate is pitched a little bit forward (about 2°).

This allows the condensation water to drain itself more easily.

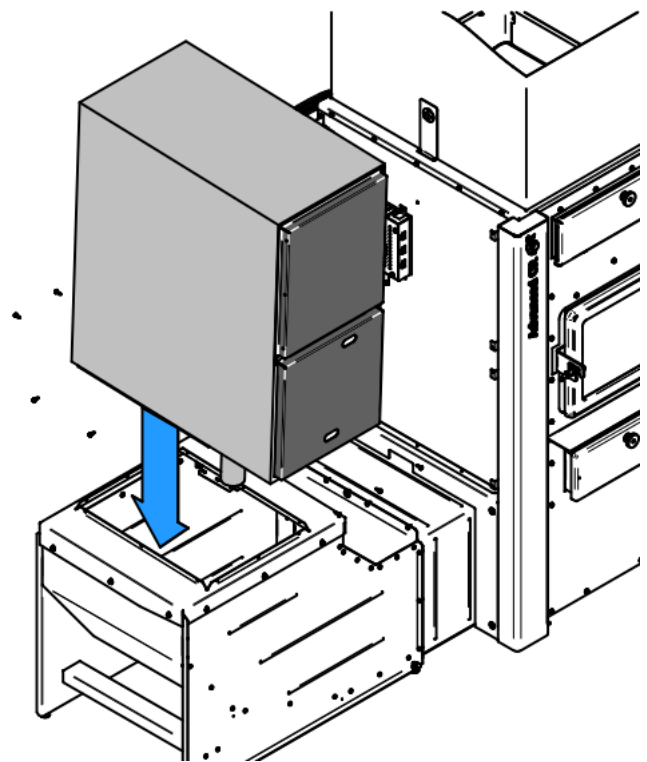


4. Shown here is the connection plate assembled.

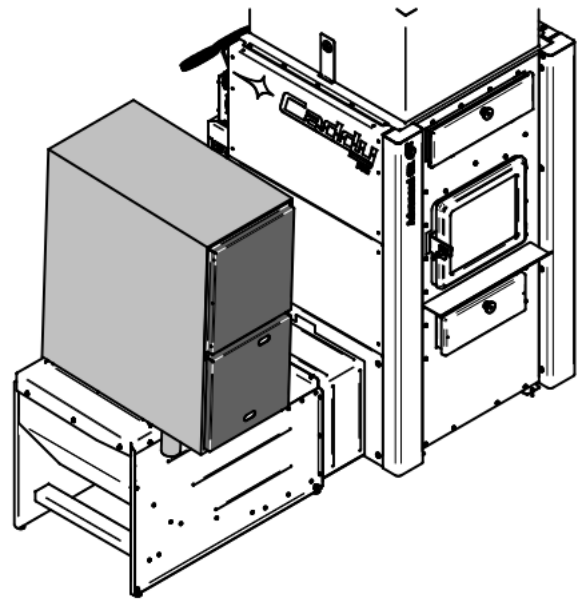


1. Install the DETTSON furnace onto the connection plate. (Heat outlet downwards – « downflow »)

2. Secure the furnace on the connection plate with the self-tapping screws 30163



3. Shown is the furnace assembled



4. Continue by following the instructions in the dedicated manuals of the other options