

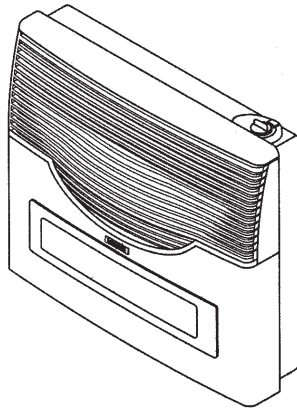
LONGVIE

VENTED WALL FURNACE

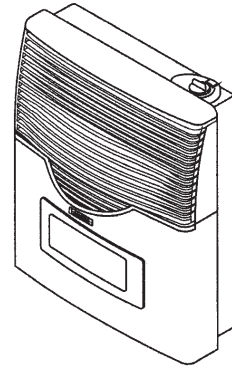
Owner's Manual - DV20 and DV12 models
(#DG05480, DG05481, DG05482, DG05483)



Distributed By:



MODEL: DV20



MODEL: DV12



MAY BE INSTALLED IN A MANUFACTURED HOME (MOBILE HOME)

This Appliance may be installed in an aftermarket, permanently located, manufactured home (USA only) or mobile home, where not prohibited by local codes.

This appliance is only for use with the type of gas indicated on the rating plate. This appliance is not convertible for use with other gases, unless a certified kit is used.

This appliance is only for use with the type of gas indicated on the rating plate. This appliance is not convertible for use with other gases.

Save this manual for future reference.

WARNING: If the information in these instructions are not followed exactly, a fire or explosion may result causing property damage, personal injury, or loss of life.

~Do not store or use gasoline or other flammable vapors and liquids in the vicinity of this or any other appliance.

~WHAT TO DO IF YOU SMELL GAS

- * Do not try to light any appliance
- * Do not touch any electrical switch; do not use any phone in your building
- * Immediately call your gas supplier from a neighbor's phone. Follow the gas supplier's instructions
- * If you cannot reach your gas supplier, call the fire department

~Installation and service must be performed by a qualified installer, service agency or the gas supplier.

INTRODUCTION

Your LONGVIE heater is especially designed to provide maximum comfort to you and your home. Its large solid injected aluminum front grill assures the optimum use of the generated heat in the ambient, maintains normal temperatures behind the heater to avoid sticking of particles, which would soil the wall. You can feel safe with absolute security guaranteed by:

- Its thermocouple security valve, which cuts the supply of gas in the event of the heater extinguishing due to strong air currents, momentary interruption of the supply of gas.
- Its gas pressure regulator assures an optimum operational; function, avoiding peak pressures in the gas supply affecting normal combustion.
- Its gas tight combustion chamber, totally enameled, avoids gases which are caused by combustion, to contaminate the air and ensures a useful , long lasting working life.

Long lasting working life...Guaranteed by the quality of its components and high technology applied in the process of fabrication, and especially by the traditional vocation of LONGVIE to produce durable products for your maximum comfort and satisfaction.

LOCAL CODES

Install and use the heater with care. The installation must conform with local codes or in the absence of local codes, use the latest edition of The National Fuel Gas Code ANSI Z223.1/NFPA 54*. Natural Gas and Propane Installation Code, CSA B149.1.

A manufactured home (USA only) or mobile home OEM installation must conform with the *Manufactured Home Construction and Safety Standard, Title 24 CFR, Part 3280*, or, when such a standard is not applicable, the Standard for *Manufactured Home Installation, ANSI Z225.1*, or Standard for *Gas Equipped recreational Vehicles and Mobile Housing, CSA Z240.4*.

*Available from:

American National Standards Institute, Inc.
1430 Broadway
New York, NY 10018

National Fire Protection Association, Inc.
Batterymarch Park
Quincy, MA 02269

GAS SPECIFICATIONS

MODEL	FUEL	MAXIMUM INPUT
DV12	Natural	10,000 BTU/hr
	Liquid Propane	10,000 BTU/hr
DV20	Natural	18,000 BTU/hr
	Liquid Propane	18,000 BTU/hr
MANIFOLD PRESSURE	Natural Gas - DV12 - 5.8" w.c.	DV20 - 5.2" w.c.
	Propane / LP Gas - DV12 - 10.8" w.c.	DV20 - 10.6" w.c.
GAS INLET	3/8" NPT	
SUPPLY	MIN. PRESSURE	MAX. PRESSURE
Natural	7" W.C.P.	10.5" W.C.P.
Propane / LP	11.0" W.C.P.	13.0" W.C.P.

USE ONLY THE TYPE GAS SPECIFIED ON THE RATING PLATE

SAFETY RULES

- 1. Due to high temperatures, the appliance should be located out of traffic and away from furniture and draperies.**
- 2. Children and adults should be alerted to the hazards of high surface temperatures and should stay away to avoid burns or clothing ignition.**
- 3. Young children should be carefully supervised when they are in the same room as the appliance**
- 4. Clothing or other flammable material should not be placed on or near the appliance.**
- 5. Any safety screen or guard removed for servicing an appliance must be replaced prior to operating the appliance.**
- 6. Installation and repair should be done by a qualified service person. The appliance should be inspected before use and at least annually by a qualified service person. More frequent cleaning may be necessary due to excessive lint from carpeting, bedding material, etc. It is imperative that control compartments, burners and circulating air passageways of the appliance be kept clean.**
- 7. WARNING: Do not operate appliance with the panel removed, cracked or broken. Replacement of the panel should be done by a licensed or qualified service person.**
8. Do not spray any aerosol near heater when functioning. Do not store these elements near appliance.
9. Do not touch the grill to avoid burning yourself.
10. Do not touch the gases outlet cap while heater is in operation to avoid burning yourself.
11. Avoid blocking air inlet and hot air outlet.
12. Do not spill water over the heater as it may cause corrosion.
13. Allow heater to thoroughly cool before servicing.
14. Input ratings are shown in BTU per hour and are for elevations up to 2,000 feet. For elevations above 2,000 feet, input ratings should be reduced 4 percent for each 1,000 feet above sea level. Refer to the National Fuel Gas Code.
15. The appliance and its appliance main gas valve must be disconnected from the gas supply piping system during any pressure testing of that system at test pressures in excess of 1/2 psig (3.5 kPa).
16. The appliance must be isolated from the gas supply piping system by closing its equipment shutoff valve during any pressure testing of the gas supply piping system at test pressures equal to or less than 1/2 psig (3.5 kPa).
17. This gas appliance must not be connected to a chimney flue serving a separate solid-fuel burning appliance.
18. The installation must make provisions for adequate combustion and ventilation air.
19. The installation must provide adequate accessibility clearances for servicing.
20. The efficiency rating of this appliance is a product thermal efficiency rating determined under continuous operating conditions and was determined independently of any installed system.
21. The minimum inlet gas supply for the purpose of input adjustment.
22. Do not use this appliance if any part has been under water. Immediately call a qualified service technician to inspect the appliance and to replace any part of the control system and any gas control that has been under water.

MINIMUM CLEARANCES TO COMBUSTIBLES

Rear	0 Inches / 0mm (to bracket)
Sides	6 Inches / 15cm
Top	24 Inches / 61cm
Floor	7 Inches / 18cm (to top of carpeting, tile, etc.)

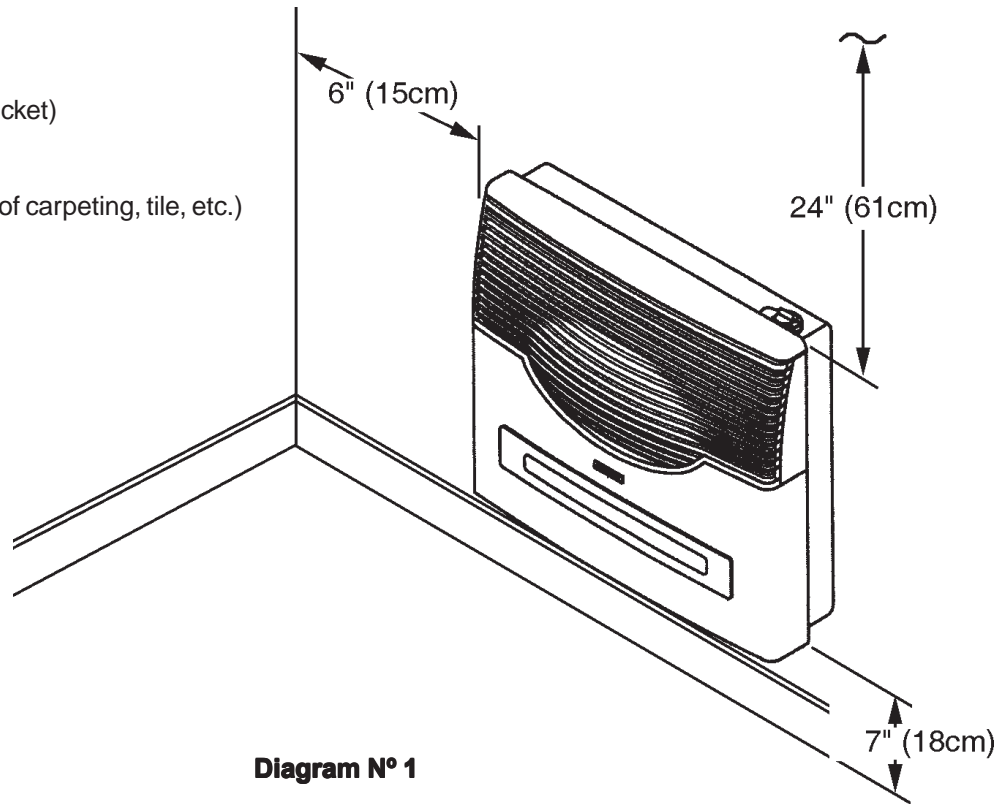


Diagram N° 1

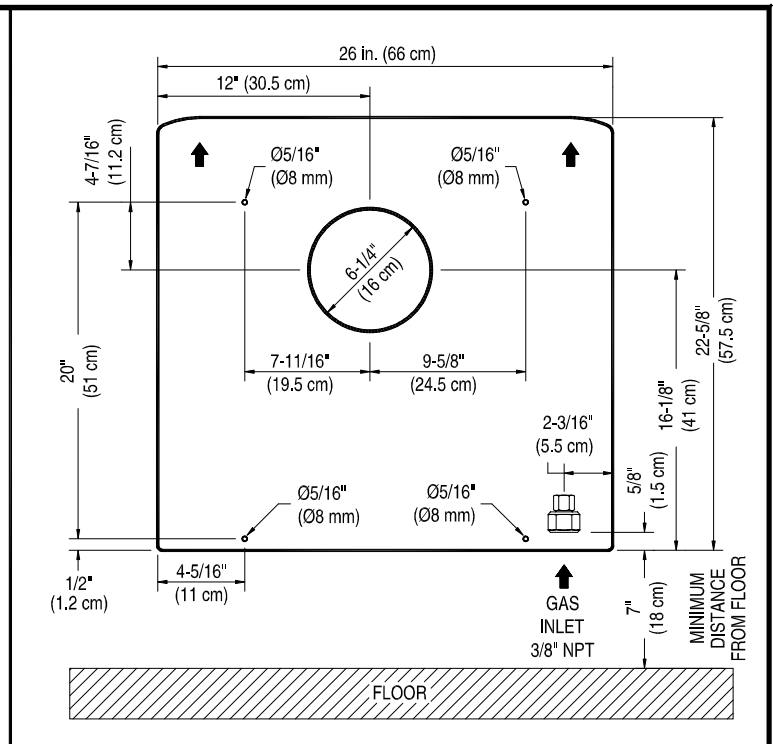
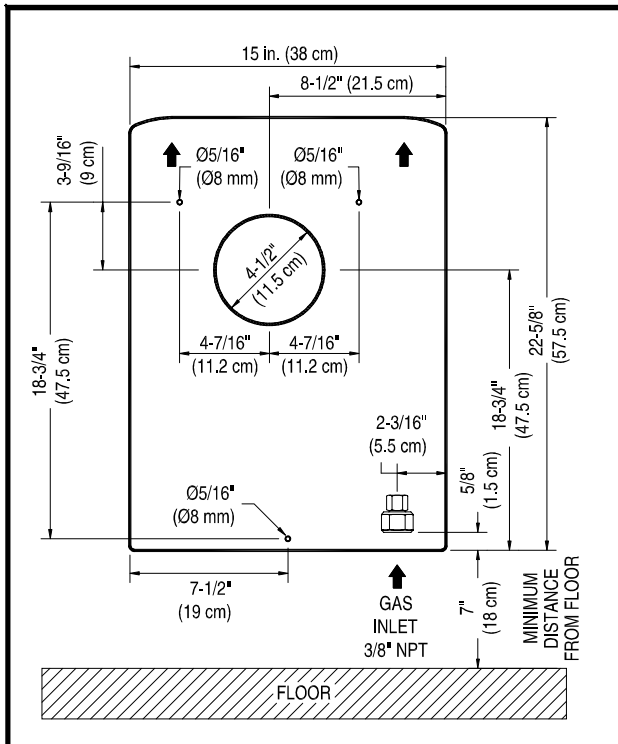
INSTALLATION INSTRUCTIONS

The following Diagram (Diagram N° 2) serves as a reference for the installation of your heater with the ventilation provided with the unit. The template that is provided with the heater can also be used. In this case, fold it at the dotted line 7" below the heater which indicates the floor level, and make it coinciding with the floor level as a minimum, fix it to the wall with adhesive tape. Also take into consideration the other minimum distances shown on Diagram N° 1.

Diagram N° 2

Model - DV12

Model - DV20



VENTILATION INSTALLATION

The ventilation system consist of:

- 1_ External Tube - Air incoming tube with enamel hood riveted in place.
- 1_ Internal Tube - Outgoing flue gases

- 1_ Threaded Mounting Rod
- 1_ Adjusting Nut

For Model DV12:

Mark the three 5/16" (8mm) holes and drill

Insert the three plastic plugs provided in the previously drilled holes.

Mark the hole for the 4-1/2" (11.5cm) dia. ventilation tube. This must be rectilinear and with a slight fall towards the exterior of approx. 2 degrees to avoid the entering of rain water.

Take into consideration the area indicated for the gas connection.

The wall's thickness cannot be less than 4-1/2" (11.5 cm) nor can it exceed 13-1/2" (35cm). (See Diagram N° 5) Tube lengths and threaded mounting rod should be trimmed to comply to the dimensions shown in Diagram N° 3.

For Model DV20:

Mark the four(4) 5/16" (8mm) holes and drill

Insert the four(4) plastic plugs provided in the previously drilled holes.

Mark the hole for the 6 1/4" (16cm) dia. ventilation tube. This must be rectilinear and with a slight fall towards the exterior of approx. 2 degrees to avoid the entering of rain water.

Take into consideration the area indicated for the gas connection.

The wall's thickness cannot be less than 4-1/2" (11.5 cm) nor can it exceed 13-1/2" (35cm). (See Diagram N° 5) Tube lengths and threaded mounting rod should be trimmed to comply to the dimensions shown in Diagram N° 4.

Final Assembly

Remove the front cover of the heater by removing the control knob and the two(2) screws on the top of the cover. Slide the front upwards.

After tubes have been cut to length, slide the tubes and the rod into position on the heater and adjust with the nut provided until you get a compact unit.

Slide the heater and ventilation assembly through the hole until the heater reaches the wall. **For the model DV12**, secure to the wall with the three(3) screws provided. **For the model DV 20**, secure to the wall with the four(4) screws provided.

Check that hood protrudes the intended 4 1/4" (10.8 cm) from the exterior wall.

Seal any imperfections between wall and vent hood with putty, making sure that nothing falls inside the hood. (See Diagram N° 6)

A protection plate resistant to high temperatures is available at extra cost for use with external combustible walls. (See Diagram N° 7)

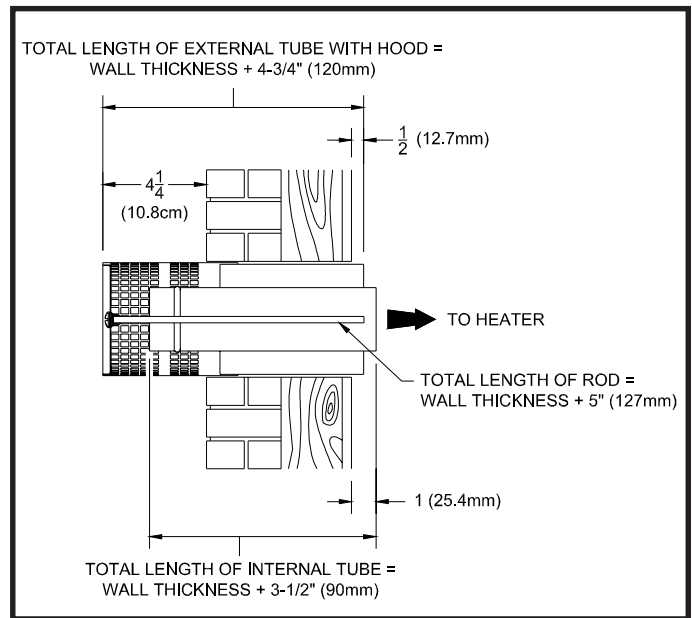


Diagram N° 3

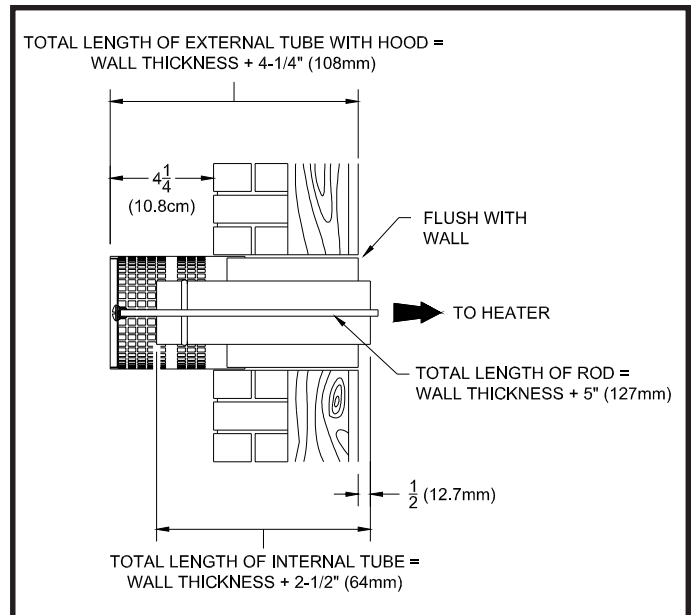


Diagram N° 4

VENTILATION INSTALLATION continued...

Minimum wall thickness:
4-1/2" (11.5cm)
Maximum wall thickness:
13-1/2" (35 cm)

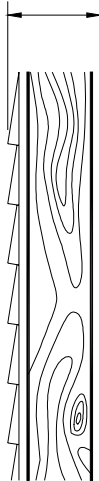


Diagram N° 5

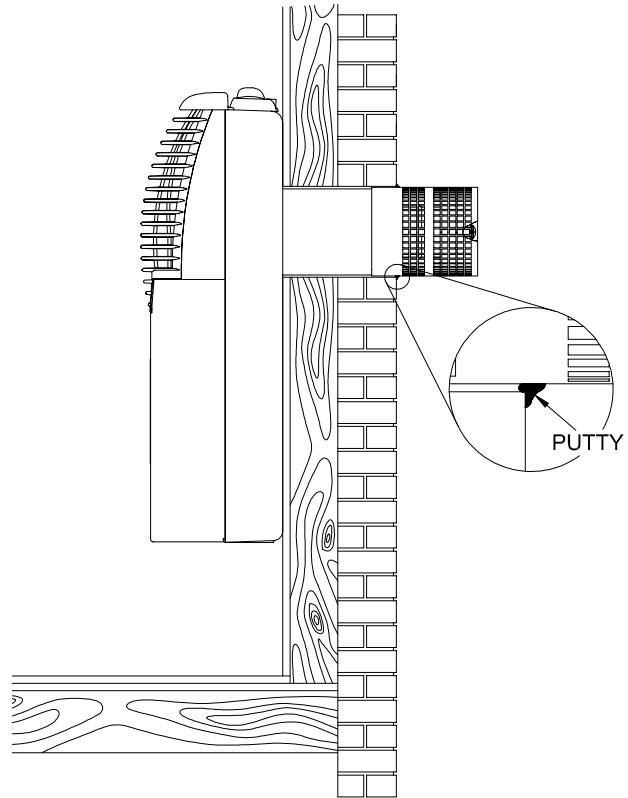


Diagram N° 6

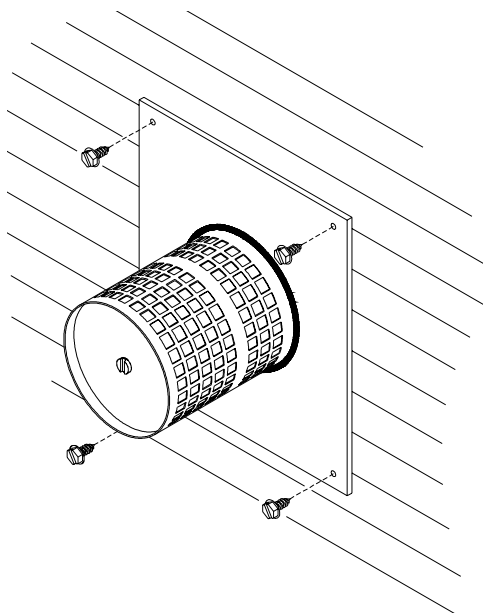


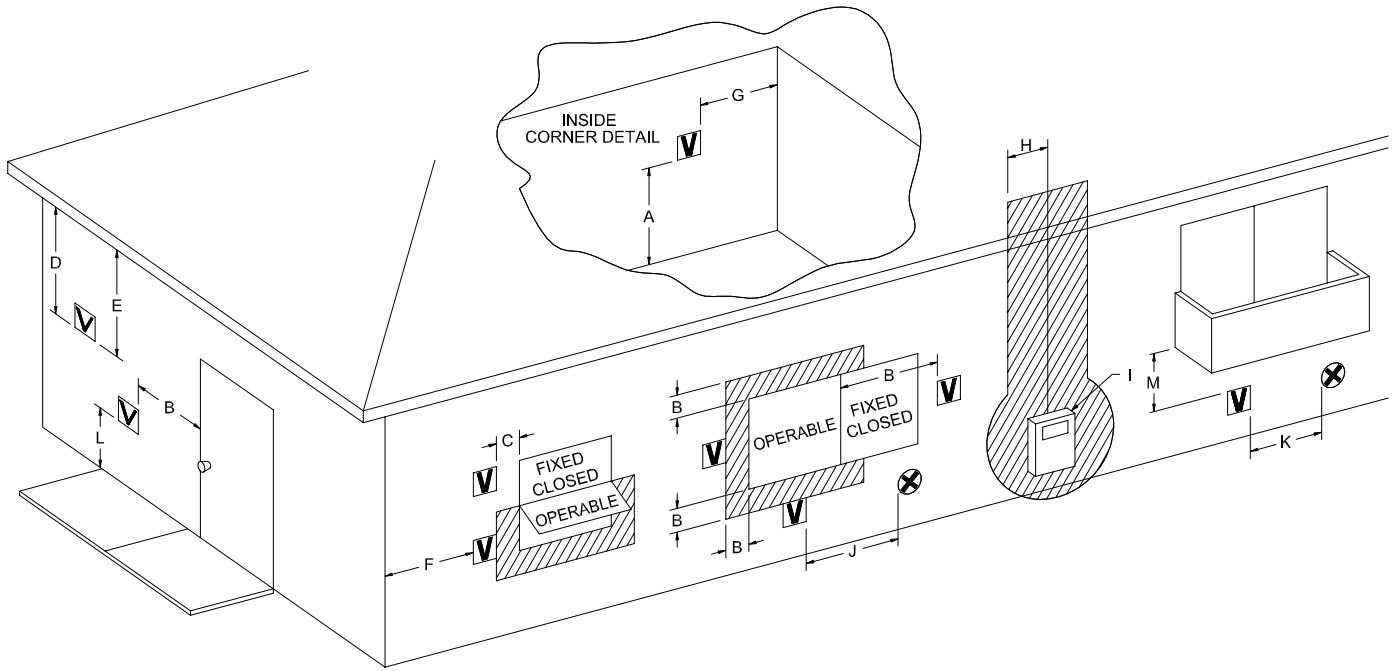
Diagram N° 7

IMPORTANT: The appliance's vent cap should be at least 24 in.(61 cm) from any outside adjacent or intersecting wall.

IMPORTANT: The appliance's venting system should be inspected at least once a year and cleaned if necessary.

IMPORTANT: THE VENT-AIR INTAKE SYSTEM MUST BE PROPERLY INSTALLED TO INSURE PROPER AND SAFE OPERATION.

VENTILATION INSTALLATION continued...



V VENT TERMINAL
 X AIR SUPPLY INLET
 AREA WHERE TERMINAL IS NOT PERMITTED

	Canadian Installation ¹	US Installation ²
A = Clearance above grade, veranda, porch, deck, or balcony	12 inches (30 cm)	12 inches (30 cm)
B = Clearnace to window or door that may be opened	6 inches (15 cm) for appliance ≤ 10,000 BTU/hr (3 kW), 12 inches (30 cm) for appliance > 10,000 BTU/hr (3 kW) and ≤ 100,000 BTU/hr (30 kW), 36 inches (91 cm) for appliances > 100,000 BTU/hr (30 kW)	6 inches (15 cm) for appliance ≤ 10,000 BTU/hr (3 kW), 9 inches (23 cm) for appliance > 10,000 BTU/hr (3 kW) and ≤ 50,000 BTU/hr (15 kW), 12 inches (30 cm) for appliances > 50,000 BTU/hr (15 kW)
C = Clearance to permanently closed window	*	*
D = Vertical clearance to ventilated soffit located above the terminal within a horizontal distance of 2 feet (61 cm) from the center line of the terminal	*	*
E = Clearnace to unventilated soffit	*	*
F = Clearance to outside corner	*	*
G = Clearance to inside corner	*	*
H = Clearance to each side of center line extended above meter/regulator assembly	3 feet (91 cm) within a hieght 15 feet (4.5 m) above the meter/regulator assembly	*
I = Clearance to service regulator vent outlet	3 feet (91 cm)	*
J = Clearance to nonmechanical air supply inlet to building or the combustion air inlet to any other appliance	6 inches (15 cm) for appliance ≤ 10,000 BTU/hr (3kW), 12 inches (30 cm) for appliance > 10,000 BTU/hr (3kW) and ≤ 100,000 BTU/hr (30 kW), 36 inches (91 cm) for appliance > 100,000 BTU/hr (30 kW)	6 inches (15 cm) for appliance ≤ 10,000 BTU/hr (3kW), 9 inches (23 cm) for appliance > 10,000 BTU/hr (3kW) and ≤ 50,000 BTU/hr (15 kW), 12 inches (30 cm) for appliance > 50,000 BTU/hr (15 kW)
K = Clearance to a mechanical air supply inlet	6 feet (1.83 m)	3 feet (91 cm) above if within 10 feet (3 m) horizontally
L = Clearnace above paved sidewalk or paved driveway located on publis property	7 feet (2.13 m) †	*
M = Clearance under veranda, porch, deck, or balcony	12 inches (30 cm) ‡	*

¹ In accordance with the current *CSA B149.1, Natural Gas and Propane Installation Code.*

² In accordance with the current *ANSI Z223.1/NFPA 54, National Fuel Gas Code.*

† A vent shall not terminate directly above a paved sidewalk or paved driveway that is located between two single family dwellings and serve both dwellings.

‡ Permitted only if verdana, porch, deck, or balcony is fully open on a minimum of two sides beneath the floor.

* For clearnaces not specified in *ANSI Z223.1/NFPA 54* or *CSA B149.1*, one of the following shall be indicated.

(a) A minimum clearnaces valve determined by testing in accordance with section 2.19.6, or ;

(b) A reference to the following footnote:

" Clearance in accordance with local installation codes and the requirements of the gas supplier."

VENTILATION INSTALLATION continued...

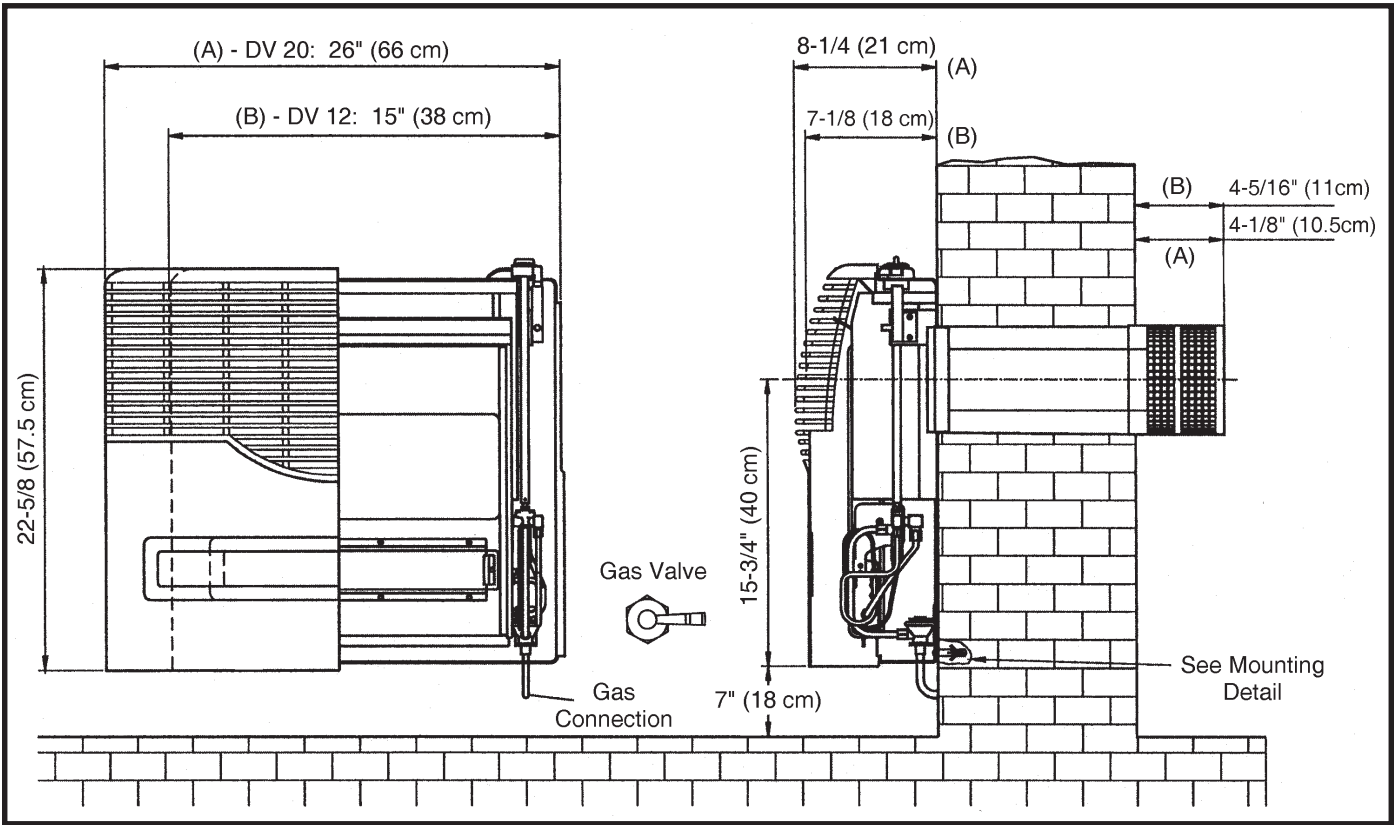
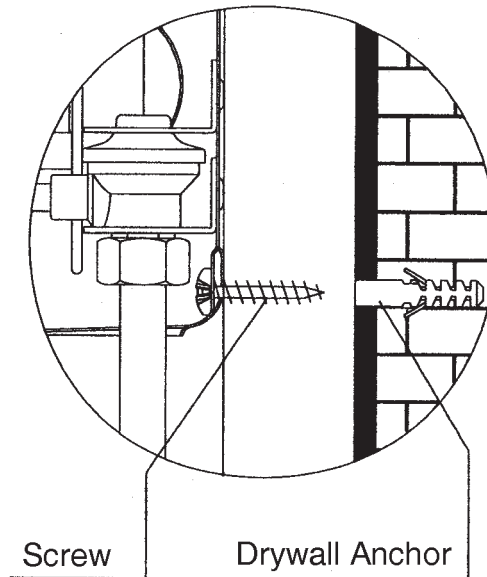


Diagram N° 8

Mounting Detail



GAS CONNECTION

NOTICE

A qualified gas appliance installer must connect the heater to the gas supply. Consult all local codes.

CAUTION

Use new black iron or steel pipe only. Internally tinned copper tubing can be used in some areas when permitted by local codes. Only use pipe of 1/2" or greater diameter to allow full gas volume to heater. Excessive pressure loss will occur if the pipe is too small.

A manual shutoff valve, union and plugged 1/8" NPT pressure tapping point must be installed upstream of the heater (FIGURE 6).

A sediment trap must be installed upstream of the heater to prevent moisture and contaminants from passing through the pipe to the heater controls and burners. Failure to do so could prevent the heater from operating reliably (FIGURE 8).

IMPORTANT: Loosen the pipe adapter on the flex tube before installing to the system piping.

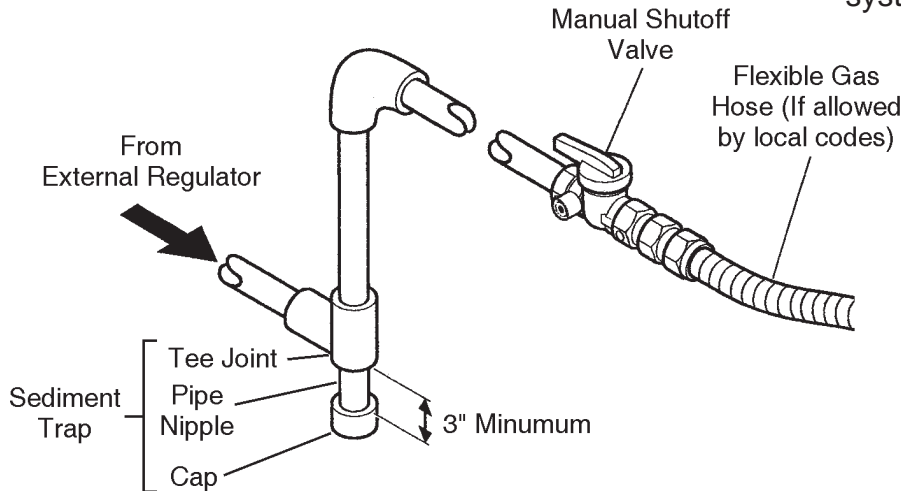


Diagram N° 9. Gas Connection

CHECK GAS TYPE: The gas supply must be the same as stated on heater's rating plate. If the gas supply is different, DO NOT INSTALL the heater. Contact your dealer for the correct model.

WARNING

Connecting directly to an unregulated propane/LPG tank can cause an explosion.

Reattach the front to the unit. Use the same screws removed in the instructions on page 5. Reinstall the control knob.

OPERATING INSTRUCTIONS

FOR YOUR SAFETY READ BEFORE LIGHTING






WARNING: If you do not follow these instructions exactly, a fire or explosion may result causing property damage, personal injury or loss of life.

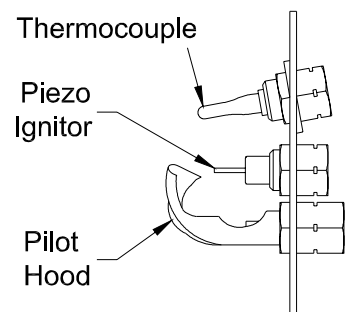
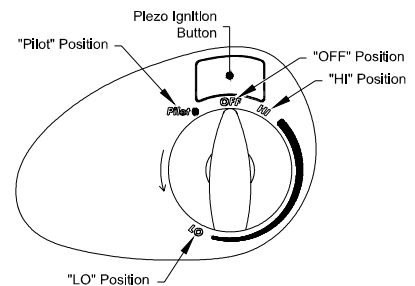
- A.** This appliance has a pilot which can be light with the equipped piezo ignitor. When lighting the pilot, follow these instructions exactly.
- B.** BEFORE LIGHTING smell all around the appliance area for gas. Be sure to smell next to the floor because some gas is heavier than air and will settle on the floor.

WHAT TO DO IF YOU SMELL GAS

- Do not attempt to light any appliance.
 - Do not touch any electric switch; do not use any phone in your building.
 - Immediately call your gas supplier from a neighbor's phone. Follow the gas supplier's instructions.
 - If you cannot reach your gas supplier, call the fire department.
- C.** Use only your hand to push in or turn the gas control knob. Never use tools. If the knob will not push in or turn by hand, don't try to repair it, call a qualified service technician. Force or attempted repair may result in a fire or explosion.
- D.** Do not use this appliance if any part has been under water. Immediately call a qualified service technician to inspect the appliance and to replace any part of the control system and any gas control which has been under water.


LIGHTING INSTRUCTIONS

1. **STOP!** Read the safety information above on this page.
2. Press the knob lightly and turn clockwise  to the "OFF" position.
3. Wait five (5) minutes to clear out any gas. If you then smell gas, STOP! Follow "B" in the safety information above on this page. If you don't smell gas, go to the next step.
4. Find the pilot by looking through the viewing window on the front of the unit.
5. Press the knob down lightly and turn counterclockwise  to the "Pilot". Press again downwards.
6. Press the Piezo Ignition button to light the pilot. Repeat this operation with the knob pressed down until the pilot has lit. When the pilot lights, continue holding pressure for another 10 seconds. Release the knob. If the pilot goes out, repeat the process 1 through 6.
- If the knob does not pop up when released, stop and immediately call your service technician or gas supplier.
- If the pilot will not stay lit after several tries, turn the gas control knob to **OFF** and call your service technician or gas supplier.
7. Press down and turning the control knob counterclockwise  to the desired temperature. The temperature can be regulated between HI and LO capacity, according to the indicated scale marked on the knob.



When the heater is first started after installation or if the heater has not been used for a long period of time, there is a normal delay of gas from the gas supply through the gas control on the heater. In this case, maintain pressure on the knob at the "Pilot" position for 30-40 seconds and then try the piezo lighter.

TURN OFF GAS TO APPLIANCE

When the heater is not to be in use for a long period of time or for servicing, turn the control knob clockwise  to the **OFF** position and close the main gas supply valve.

MAINTENANCE INSTRUCTIONS

As with all fuel burning appliances, it is important to conduct periodic maintenance functions that will allow for continued safe, efficient operation of the unit. We suggest that before every heating season, or at least once a year, conduct the following minimum service functions.

STEP 1: The gas supply should be turned OFF at the shutoff valve in the supply line leading to the appliance or at the gas source. The gas to the unit should then be disconnected so the unit can be removed from the wall.

STEP 2: Remove the front cover by removing the control knob and the two(2) screws on the top of the front. Then slide the front upwards.

STEP 3: Carefully examine the interior of the vent pipe. If you notice any blockages or obstruction that was not part of the unit when it was installed. Clean the pipes and prepare them for reattachment to the unit.

The vent system should be inspected periodically, or at least once a year and cleaned if necessary. If removal of the venting is required, follow the instructions in the "Ventilation Installation" section of this manual for reassembly.

STEP 4: Look inside the openings of the rear of the unit and check for foreign materials. Remove any objects which may block or obstruct the free flow of combustion and ventilation air.

STEP 5: Visually check the pilot and the main burner for signs of excessive dirt or debris through the heat exchanger front glass. If you find any of these, follow the directions below to reach the components to clean, otherwise continue to the next step.

To Remove Pilot: Find the pilot. Loosen the head of thermocouple, disconnect the pilot gas supply line, (only on the side of the pilot, not on the valve side). Remove the two(2) M4 screws that hold the pilot in place. Clean with a vacuum cleaner or use a can of compressed air.

To Remove Burner: Loosen the gas line from the burner (on the right side of the unit). On the left side of the unit, unscrew the nut that holds the burner in place. Then remove the burner. Clean with a vacuum cleaner or use a can of compressed air. **Note:** You can remove the main burner-pilot assembly if you don't unscrew the M4 screws that hold the pilot to the burner.

Before reinstalling the assembly, check the ceramic fiber sealing gasket. If it is damaged or worn, replace with new gasket available from your dealer.

STEP 6: Reassembly the unit back to its original state and mount the unit to the wall. Properly reassemble and reseal the vent-air intake system.

STEP 7: Reconnect the gas supply and check for leaks using a soapy water solution. Bubbles on any of the joints indicate a leak is present and must be repaired. *Turn off the gas when making such repairs.* Check to make sure that the piezo ignitor still lights the pilot.

STEP 8: While the main burner is ON, Check the flames to verify that they are burning a clean blue color. (See Diagrams 10-12)

Note: After maintenance, the first few minutes of the heater operation will probably have some yellowish flying traces in the flame due to the burning of particles left behind during the cleaning operation.

** Liquid Propane will have some evidence of yellow tips on the flame.

Any safety screen or guard removed for servicing an appliance must be replaced prior to operating the appliance

Before completing your periodic maintenance check, ensure the heater area is kept clean and free from combustible materials, gasoline and other flammable vapors and liquids. Also, check to see that the flow of combustion and ventilation air around the vent cap on the outside of the structure is not obstructed.

Diagram N° 10. Correct Flame Pattern

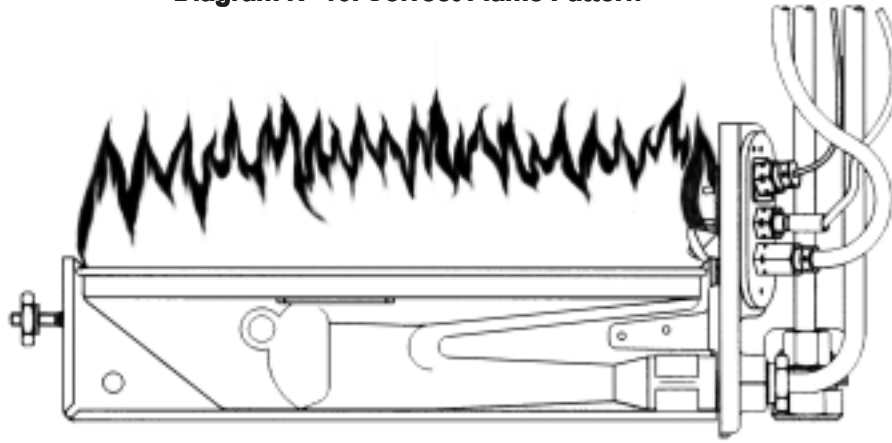


Diagram N° 11. Correct Flame Pattern

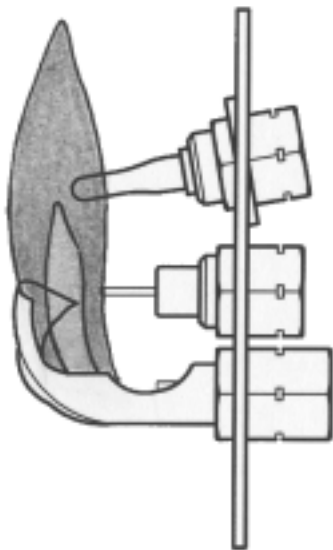
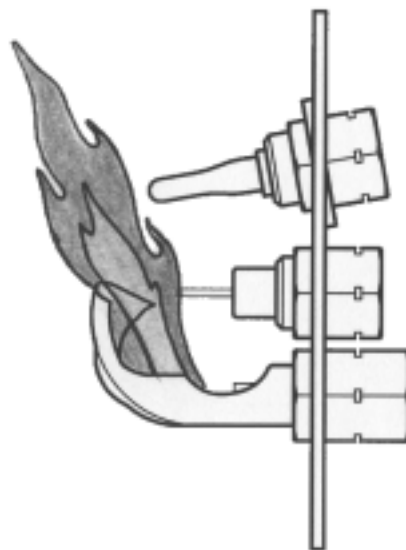


Diagram N° 12. Incorrect Flame Pattern



Optional Blower - AC02008 (DV20 model only)

CAUTION: Label all wires prior to disconnection when servicing controls. Wiring errors can cause improper and dangerous operation.

Verify proper operation after servicing.

Permanently lubricated bearing system.

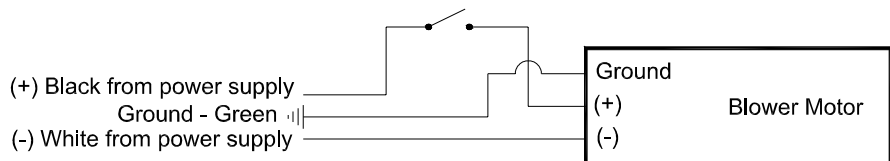
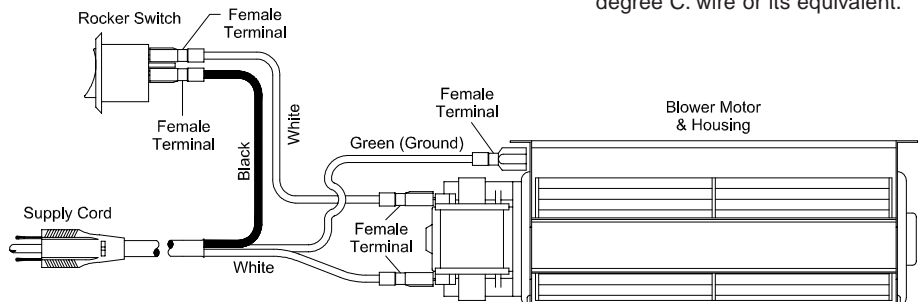
WARNING: ELECTRICAL GROUNDING INSTRUCTIONS.

This appliance is equipped with a three-prong (grounding) plug for your protection against shock hazard and should be plugged directly into a properly grounded three-prong receptacle. Do not cut or remove the grounding prong from this plug.

SBI Stove Builder International Inc.

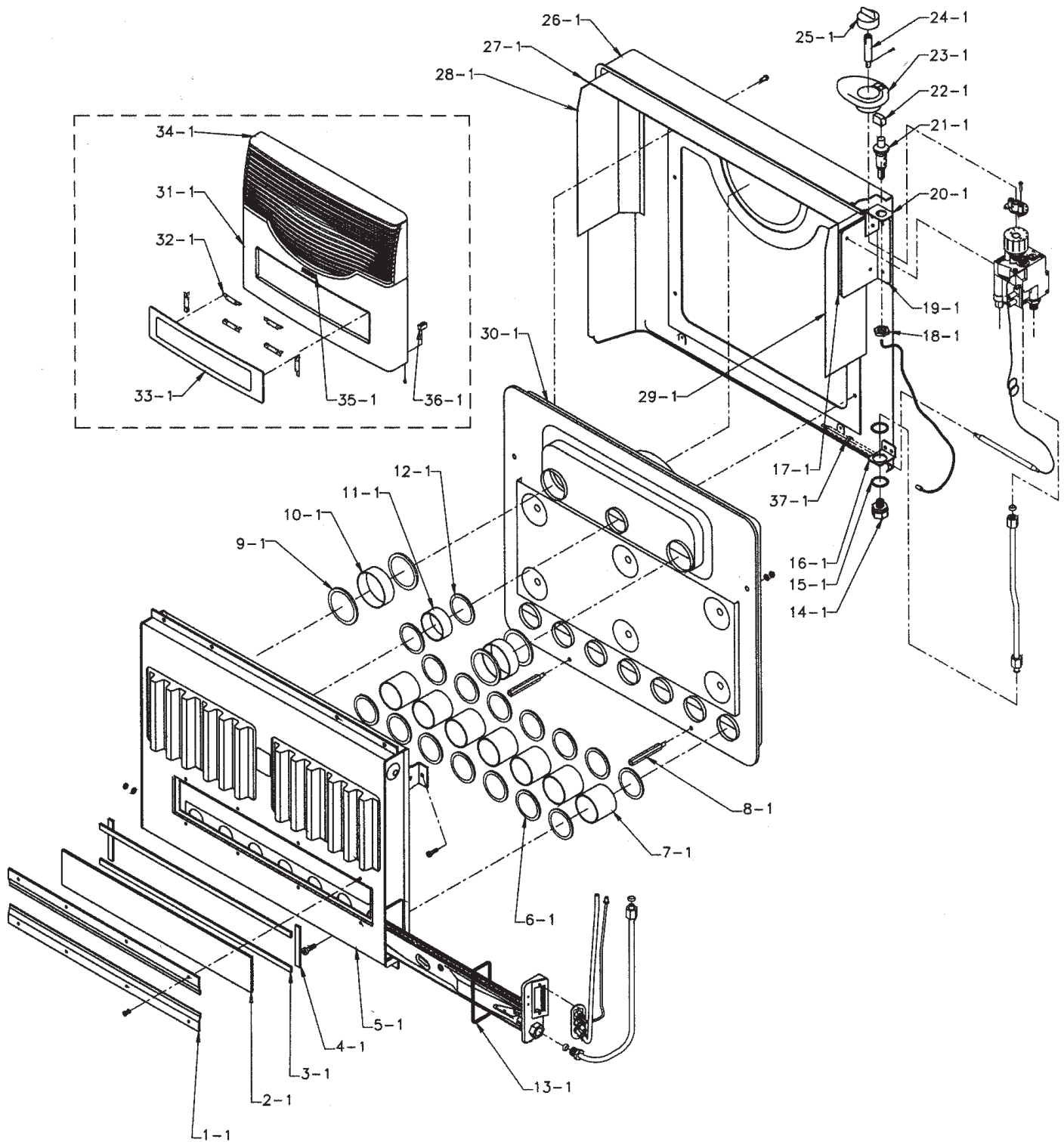
If any of the original wire as supplied with the appliance must be replaced, it must be replaced with 600 volt - 150 degree C. wire or its equivalent.

Wiring Diagram



Wiring Schematic

DV20 (DG05480-1) - SPARE PARTS

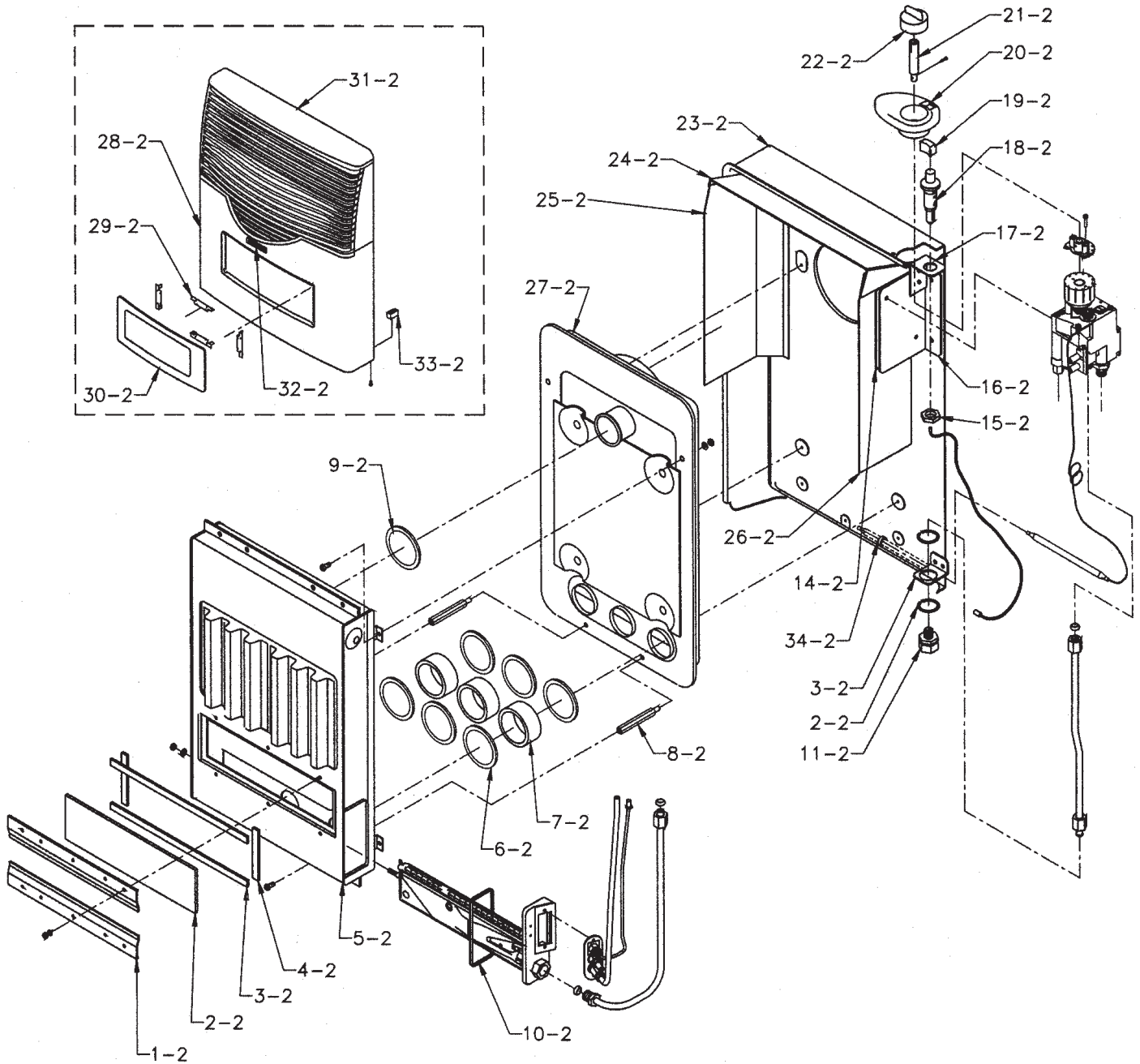


REPAIR PARTS LIST - DV20 (#DG05480-1)

FOR MODEL: DV20	KEY	PART #	DESCRIPTION	QTY.
	1.1	2478	Glass Support	2
	2.1	17501	Combustion Chamber Glass	1
	3.1	2484	Ceramic Fibre Glass Gasket (Long)	2
	4.1	2482	Ceramic Fibre Glass Gasket (Short)	2
	5.1	354	Combustion Chamber	1
	6.1	2472	Ceramic Fibre Washer (D57 / D43)	14
	7.1	16374	Air Intake Tube	7
	8.1	15901	Spacing Bolt	2
	9.1	2471	Ceramic Fibre Washer (D71 / D57)	4
	10.1	16377	Flue Gas Exit Tube (Large)	2
	11.1	16376	Flue Gas Exit Tube (Small)	1
	12.1	2472	Ceramic Fibre Washer (D57 / D43)	2
	13.1	2473	Burner Assembly Gasket	1
	14.1	16360	Gas Intake Fitting	1
	15.1	15756	Gas Intake Lock Fitting	2
	16.1	2466	Gas Fitting Support	1
	17.1	2465	Control Insulation	1
	18.1	-	Piezo Ignitor Nut	1
	19.1	2463	Control Bracket	1
	20.1	2464	Piezo Ignitor Bracket	1
	21.1	12455	Piezo Ignitor	1
	22.1	11699	Piezo Ignitor Button	1
	23.1	11698	Knob Frame	1
	24.1	16365	Control Rod	1
	25.1	11626	Control Knob	1
	26.1	2477	Cabinet Back	1
	27.1	2432	Top Deflector	1
	28.1	2442	Left Side Deflector	1
	29.1	2433	Right Side Deflector	1
	30.1	350	Air Chamber	1
	31.1	2429	Cabinet Front	1
	32.1	2413	Cabinet Glass Support	6
33.1	17768	Cabinet Glass	1	
34.1	423	Grill, Cast Aluminum	1	
35.1	17912	LONGVIE Logo	1	
36.1	11634	Cabinet Slide	2	
37.1	11315	Loop	1	

Note: Please contact your PSG dealer in order to obtain the genuine part number you are looking for. If you experience any difficulty in obtaining a particular part number, please do not hesitate to contact the importer listed on the last page of this owner's manual.

DV12 (DG05482-3) - SPARE PARTS

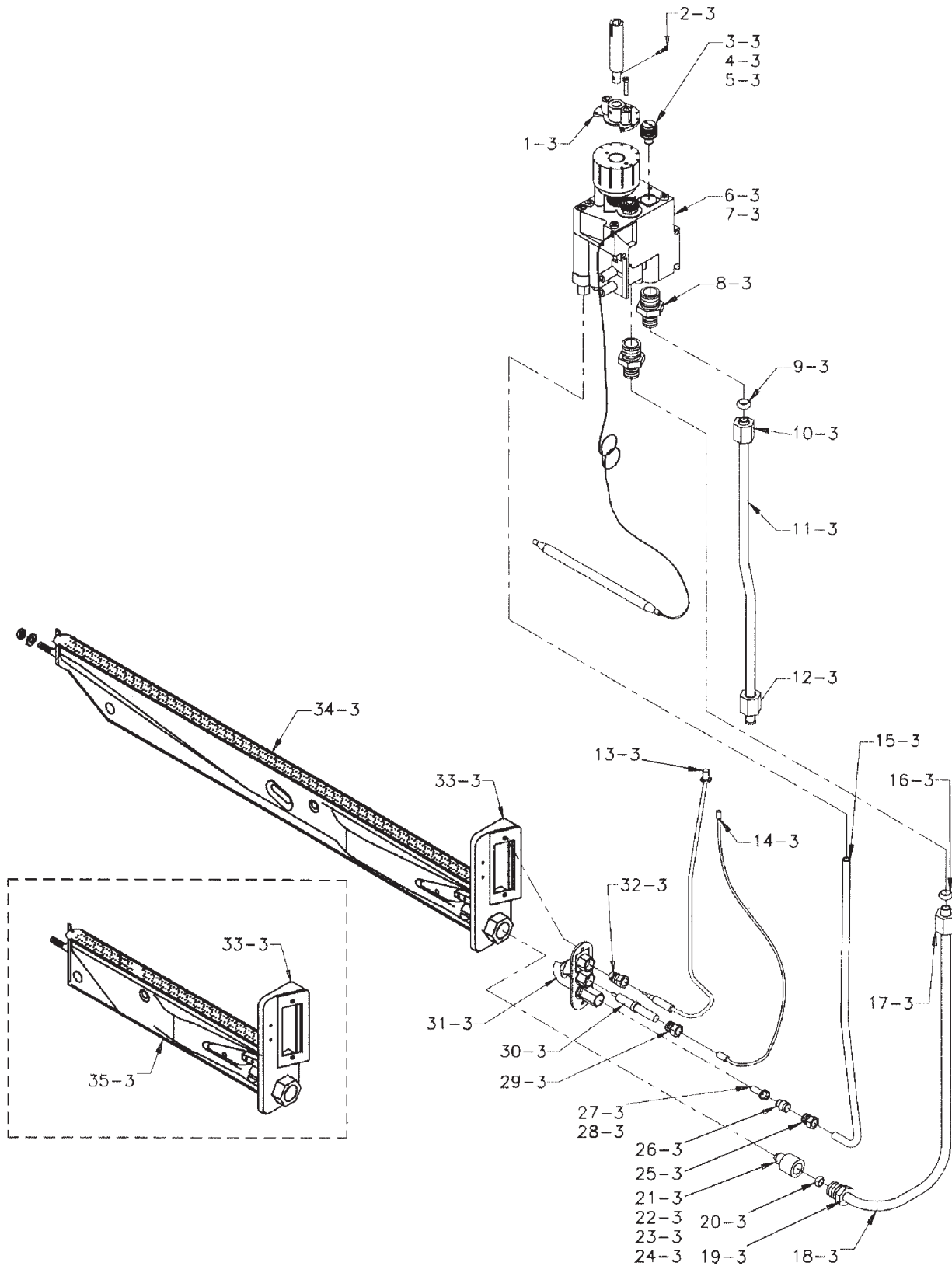


REPAIR PARTS LIST - DV12 (#DG05482-3)

FOR MODEL: DV12	KEY	PART #	DESCRIPTION	QTY.
	1.2	2469	Glass Support	2
	2.2	17507	Combustion Chamber Glass	1
	3.2	2483	Ceramic Fibre Glass Gasket (Long)	2
	4.2	2482	Ceramic Fibre Glass Gasket (Short)	2
	5.2	342/CC	Combustion Chamber	1
	6.2	2472	Ceramic Fibre Washer (D57 / D43)	6
	7.2	16374	Air Intake Tube	3
	8.2	15951	Spacing Bolt	2
	9.2	2471	Ceramic Fibre Washer (D71 / D57)	4
	10.2	2473	Burner Assembly Gasket	1
	11.2	16360	Gas Intake Fitting	1
	12.2	15756	Gas Intake Lock Fitting	2
	13.2	2462	Gas Fitting Support	1
	14.2	2465	Control Insulation	1
	15.2	-	Piezo Ignitor Nut	1
	16.2	2463	Control Bracket	1
	17.2	2464	Piezo Ignitor Bracket	1
	18.2	12455	Piezo Ignitor	1
	19.2	11699	Piezo Ignitor Button	1
	20.2	11698	Knob Frame	1
	21.2	16365	Control Rod	1
	22.2	11626	Control Knob	1
	23.2	2461	Cabinet Back	1
	24.2	2419	Top Deflector	1
	25.2	2421	Left Side Deflector	1
	26.2	2420	Right Side Deflector	1
	27.2	342/CA	Air Chamber	1
	28.2	2411	Cabinet Front	1
	29.2	2413	Cabinet Glass Support	4
	30.2	17767	Cabinet Glass	1
	31.2	383	Grill, Cast Aluminum	1
	32.2	17912	LONGVIE Logo	1
33.2	11634	Cabinet Slide	2	
34.2	11315	Loop	1	

Note: Please contact your PSG dealer in order to obtain the genuine part number you are looking for. If you experience any difficulty in obtaining a particular part number, please do not hesitate to contact the importer listed on the last page of this owner's manual.

BURNER ASSEMBLY - REPAIR PARTS

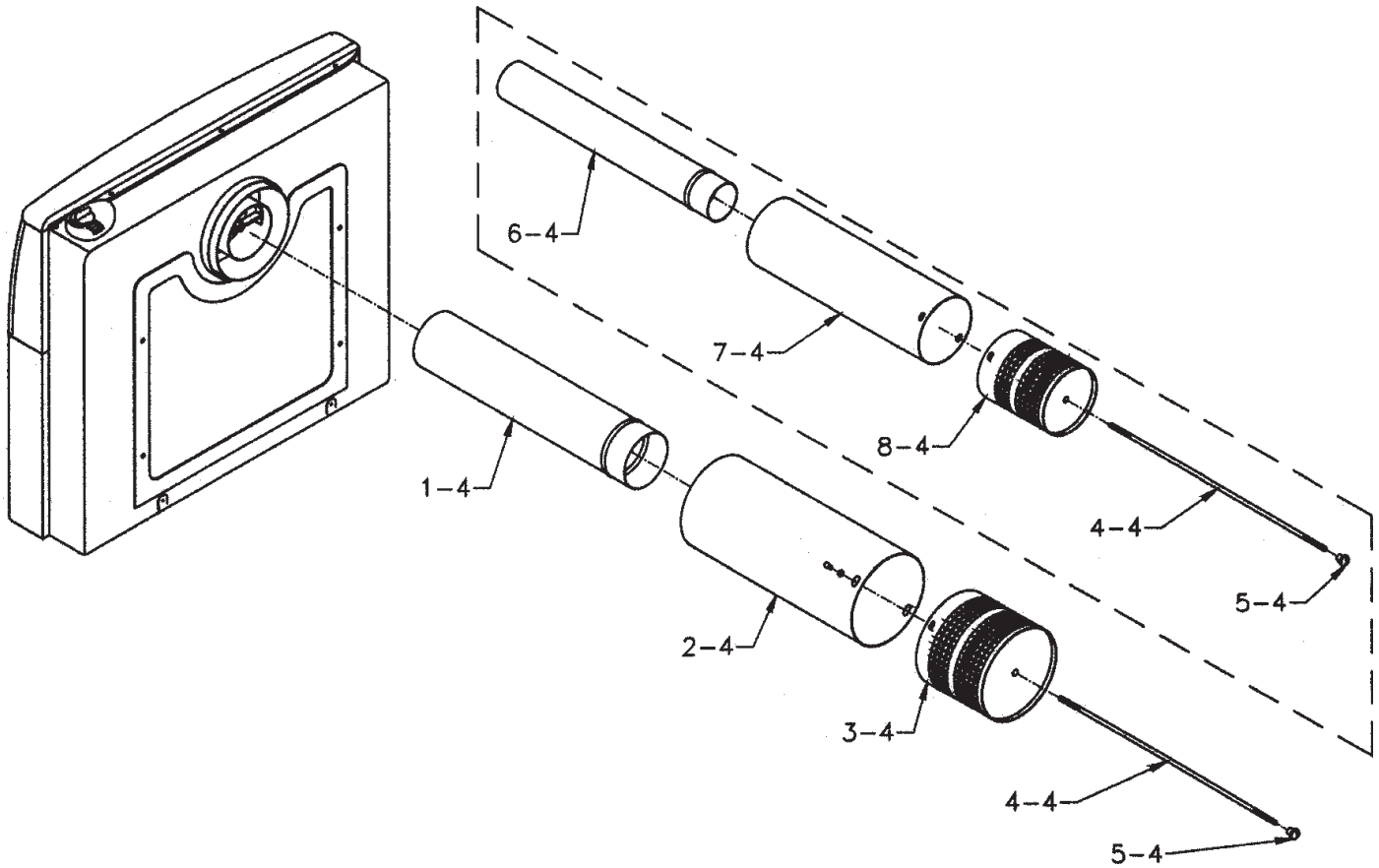


BURNER ASSEMBLY - REPAIR PARTS LIST

FOR MODEL: DV20 and DV12	KEY	PART #	DESCRIPTION	QTY.
	1.3	14399	Control Rod Plate	1
	2.3	10381	Control Rod Set Screw (1/8" x 15)	1
	3.3	16353	Eurosit Valve By Pass 50 (for model DV12-LP)	1
	4.3	16354	Eurosit Valve By Pass 90 (for model DV20-LP)	1
	5.3	16355	Eurosit Valve By Pass 70 (for models DV20-N and DV12-N)	1
	6.3	14397	Eurosit Gas Control Valve - Liquid Propane	1
	7.3	14398	Eurosit Gas Control Valve - Natural	1
	8.3	16362	Gas Inlet Fitting 3/8" NPT x 1/4" BSP	2
	9.3	15707	5/16" Compression Nut	1
	10.3	16322	Tube Nut 5/16" x G1/4"	1
	11.3	2466	Gas Inlet Supply Line	1
	12.3	16322	Tube Nut 5/16" x 1/4"	1
	13.3	14400	Thermocouple	1
	14.3	12456	Piezo Ignitor Cable	1
	15.3	2468	Pilot Supply Tube 1/4"	1
	16.3	15707	5/16" Compression Sleeve	1
	17.3	16322	Tube Nut 5/16" x G1/4"	1
	18.3	2467	Burner Supply Tube- 3/8" dia.	1
	19.3	16364	5/16" Tube Fitting	1
	20.3	15707	5/16" Compression Nut	1
	21.3	16367	Burner Orifice - DV12-Natural	1
	22.3	16368	Burner Orifice - DV12-Liquid Propane	1
	23.3	16370	Burner Orifice - DV20-Natural	1
	24.3	16369	Burner Orifice - DV20-Liquid Propane	1
	25.3	16357	1/4" Compression Sleeve	1
	26.3	16356	1/4" Compression Nut	1
	27.3	14396	Pilot Orifice - Natural	1
	28.3	14395	Pilot Orifice - Liquid Propane	1
	29.3	16358	Electrode Fitting	1
	30.3	12457	Piezo Electrode	1
	31.3	14394	Pilot Hood	1
	32.3	16359	Pilot Thermocouple Fitting	1
	33.3	8199	Burner Base	1
	34.3	345	DV20 Burner	1
	35.3	343	DV12 Burner	1

Note: Please contact your PSG dealer in order to obtain the genuine part number you are looking for. If you experience any difficulty in obtaining a particular part number, please do not hesitate to contact the importer listed on the last page of this owner's manual.

VENTING - REPAIR PARTS LIST



KEY	PART #	DESCRIPTION	QTY.
1.4	2480	Outgoing Flue Gases Tube - DV20 (Internal)	1
2.4	2479	Air Incoming Tube - DV20 (External)	1
3.4	347	Enameled Vent Cap - DV20	1
4.4	2470	Connecting Rod	1
5.4	16371	Connecting Rod Nut	1
6.4	2475	Outgoing Flue Gases Tube - DV12 (Internal)	1
7.4	2474	Air Incoming Tube - DV12 (External)	1
8.4	344	Enameled Vent Cap - DV12	1

Note: Please contact your PSG dealer in order to obtain the genuine part number you are looking for. If you experience any difficulty in obtaining a particular part number, please do not hesitate to contact the importer listed on the last page of this owner's manual.

PSG WALL MOUNTED GAS HEATERS LIMITED LIFETIME WARRANTY

The warranty of the manufacturer extends only to the original consumer purchaser and is not transferable. This warranty covers brand new products only, which have not been altered, modified nor repaired since shipment from factory. Proof of purchase (dated bill of sale), model name and serial number must be supplied when making any warranty claim to your PSG dealer.

This warranty applies to normal residential use only. Damages caused by misuse, abuse, improper installation, lack of maintenance, over firing, negligence, accident during transportation, power failures, downdrafts, or venting problems are not covered by this warranty.

This warranty does not cover any scratch, corrosion, warping, or discoloration caused by over firing, abrasives or chemical cleaners. Any defect or damage caused by the use of unauthorized parts or others than original parts void this warranty. An authorized qualified technician must perform the installation in accordance with the instructions supplied with this product and all local and national building codes. Any service call related to an improper installation is not covered by this warranty.

The manufacturer may require that defective products be returned or that digital pictures be provided to support the claim. Returned products are to be shipped prepaid to the manufacturer for investigation. If a product is found to be defective, the manufacturer will repair or replace such defect. Transportation fees to ship the product back to the purchaser will be paid by the manufacturer. Repair work covered by the warranty, executed at the purchaser's domicile by an authorized qualified technician requires the prior approval of the manufacturer. Labour cost and repair work to the account of the manufacturer are based on predetermined rate schedule and must not exceed the wholesale price of the replacement part. All parts and labour costs covered by this warranty are limited according to the table below.

The manufacturer at its discretion may decide to repair or replace any part or unit after inspection and investigation of the defect. The manufacturer may, at its discretion, fully discharge all obligations with respect to this warranty by refunding the wholesale price of any warranted but defective parts. The manufacturer shall in no event be responsible for any special, indirect, consequential damages of any nature, which are in excess of the original purchase price of the product. A one-time replacement limit applies to all parts benefiting from a lifetime coverage. This warranty applies to products purchased after March 1st, 2009.

DESCRIPTION	WARRANTY APPLICATION	
	PARTS	LABOUR
Combustion chamber (welds only), and castings.	Lifetime	3 years
Stainless steel firebox components, surrounds and heat shields, and plating* (defective manufacture).	5 years	3 years
Carbon steel firebox components, burner, and glass retainers.	3 years	1 year
Gas valve, pilot assembly & related parts, heat sensors, switches, rheostat, wiring, and other controls.	2 years	1 year
Optional blowers, ceramic glass (thermal breakage only*), paint (peeling), and gaskets.	1 year	n/a

**Pictures required*

Shall your unit or a components be defective, contact immediately your **PSG** dealer. Prior to your call make sure you have the following information necessary to your warranty claim treatment:

- Your name, address and telephone number;
- Bill of sale and dealer's name;
- Serial number and model name as indicated on the nameplate fixed to the back of your unit;
- Nature of the defect and any relevant information.

Before shipping your unit or defective component to our plant, you must obtain from your PSG dealer an Authorization Number. Any merchandise shipped to our plant without authorization will be refused automatically and returned to sender.



LONGVIE

Product imported from Argentina

Importer

SBI – Stove Builder International inc.
250 De Copenhague
St-Augustin-de-Desmaures (Quebec)
Canada
G1N 4R9
Tel. (418) 878-3040
Fax. (418) 878-3001

Web site : www.psg-distribution.com

Online warranty registration :

We encourage you to register your warranty online at the following website address : www.psg-distribution.com