



PSG
1700, Léon-Harmel
Québec (Québec)
G1N 4R9

Installation and Operating Instructions for the AN-30 ADD-ON wood burning furnace

READ THE MANUAL THOROUGHLY
BEFORE OPERATING THE FURNACE

CONGRATULATIONS!

You have purchased one of the finest wood
add-on furnaces available on the market.

Your furnace will provide years of satisfaction and safe operation.

Please keep this document



45379A

TABLE OF CONTENTS

INTRODUCTION	3
1. CHIMNEY AND DRAFT	3
2. SAFETY RULES	3
GENERAL REQUIREMENTS	3
ODOUR FROM THE PAINT	4
ASH DISPOSAL	4
CREOSOTE BUILD-UP AND REMOVAL	4
SMOKE DETECTOR	4
ASH DRAWER	4
ASH GRATE	5
2. APPLIANCE INSTALLATION	5
UNIT LOCATION	5
MATCHING THE TRANSFER DUCT BETWEEN THE TWO HEAT GENERATORS	5
MINIMUM CLEARANCES TO COMBUSTIBLE MATERIALS FOR AN-30 ADD-ON	7
PIPE CONNECTOR AND DAMPER	8
DAMPER	8
COMBUSTION AIR	9
ELECTRICAL CONNECTIONS	10
THERMOSTAT	10
FAN CONTROL	10
4. OPERATING INSTRUCTIONS.....	11
LIGHTING	11
PREHEATING	12
HEATING	12
EARLY SIGNS OF OVERFIRED FURNACE	12
WOOD AS HEATING FUEL.....	12
CHIMNEY FIRES.....	13
PROLONGED POWER OUTAGE	14
5. MAINTENANCE	14
MAINTENANCE OF THE EXCHANGERS	14
CHIMNEY MAINTENANCE	14
SMOKE PIPE INSPECTION.....	14
DOOR GASKET MAINTENANCE	14
6.1 WIRING DIAGRAM AN-30 ADD-ON	15
7. TECHNICAL DATA AN30 ADD-ON FURNACE.....	16
8. DUCTS AND DAMPERS DIMENSIONS.....	17
9. APPENDIX 1	18
10. TROUBLESHOOTING	19
PSG LIMITED LIFETIME WARRANTY	21

INTRODUCTION

To optimize the efficiency of your furnace, follow the following advices:

Respect the local codes (when in doubt, consult your local dealer).

Make sure your furnace is installed according to the instructions on the certification plate.

All controls adjustments must be performed by a qualified technician. The controls settings and the blower speed must conform to the recommendations of the Warm Air Heating and Air Conditioning National Association and respect the recommended static pressure ranges in the warm air plenum of the furnace (see General Technical data, static pressure).

The wood burning AN-30 Add-on furnace is approved in line connection to an existing oil furnace with a firing rate of 0.8 G.P.H. (US) to 1.2 G.P.H. (US).

1. CHIMNEY AND DRAFT

This furnace must be connected to a chimney certified for wood burning heating appliances; a 8" (200mm) connector and chimney is highly recommended. (see installation diagram on the back of the manual).

Install the barometric damper provided with the furnace. Never install a manual damper.

The barometric damper must be adjusted so that the maximum draft measured at the furnace outlet does not exceed -0.06 in. w.c. Please note that a draft exceeding -0.06 in. w.c. could produce an uncontrollable fire. **On the other hand, the minimum draft required is -0.04 in. w.c.**

2. SAFETY RULES

GENERAL REQUIREMENTS

- Make sure the chimney outlet and the pipes are clean and in good condition.
- Do not use chemical products or liquids to light the fire.
- Do not burn wood coated with paint, glue or chemical products.
- Do not burn wastes or flammable liquids such as gasoline, naphtha or motor oil.
- Do not install an automatic feeder on this furnace.
- Do not store wood in the vicinity of the furnace. Respect the required clearances between combustible materials and the source of heat.

WARNING

-THE ASH DRAWER GET VERY HOT, DO NOT HANDLE WITH BARE HANDS.

ODOUR FROM THE PAINT

The furnace will release some smoke and odors when first fired; this is normal and will stop when the paint has finished curing. Burn the unit at high rate with windows opened until the smoke and smell is vented out.

ASH DISPOSAL

Ashes must be placed in a metal container with a tight fitting lid. The ash container should be placed outside well away from all combustible materials. If the ashes are intended to be buried in soil, wait until all cinders have thoroughly cooled before burying.

CREOSOTE BUILD-UP AND REMOVAL

When wood is burned slowly, it produces tar and other organic vapors, which when combined with moisture, produce creosote. The creosote vapors condense in a relatively cool chimney and flue. As a result, creosote residues accumulate on the chimney and flue linings.

N.B.: To minimize the frequency of the chimney cleaning, buy your firewood at least one year before using it. Store in a dry place in order to obtain the minimum moisture rate and optimize the efficiency. Do not store wood or combustible materials within the installation minimum clearances and space required to reload the appliance and remove the ashes.

When ignited, the creosote produces an extremely hot fire inside the chimney.

To avoid this situation, it is important to do the rotation of wood. Inspect the chimney system at regular intervals to determine a cleaning cycle. A weekly cleaning might be required during mild temperature periods but a monthly cleaning should be sufficient during cold periods. **If a significant layer of creosote has accumulated, it should be removed immediately to eliminate the risk of a chimney fire.** Remember that a small hot fire is preferable to a large smouldering one that can deposit creosote within the system. An emergency plan is necessary in case of a chimney fire. It's important to clean up the exchangers at the end of season to prevent corrosion.

SMOKE DETECTOR

We highly recommend the use of a smoke detector. It must be installed at least 15 feet (4,57 m) from the appliance in order to prevent a false alarm when refueling the fire.

ASH DRAWER

Your appliance is equipped with an ash drawer to collect ashes produced by the combustion of wood. This drawer must not be left open during combustion as this will cause over firing and serious damage to the furnace.

The drawer must be cleaned regularly.

It is mandatory that the door and the ash drawer be kept closed while the appliance is in use. Maintain all seals in good condition ; in case of deterioration, contact your dealer for replacement.

ASH GRATE

In case of ash grate damage, contact your dealer to get a replacement.

2. APPLIANCE INSTALLATION

Before installation, please read the instructions carefully and make sure you understand them:

The furnace must be installed in a state of the art manner. Installation must be made in accordance with the CSA B.365(Canada) and NFPA 211(USA) standards concerning the normalization of solid fuel units. For installation in United States, also refer to NFPA 90B(USA) « Warm Heating and Air Conditioning Systems ». If modifications have to be made to the existing furnace, these have to be conform with the CSA B.139 (Canada) and NFPA 31 (USA) regulation for oil furnaces.

Inspect the furnace to make sure that nothing has been damaged in the shipping. Pull out the wiring kit and the instructions manual from the firebox of the furnace and the cleaning tools from the heat exchangers.

UNIT LOCATION

The furnace must be installed where outside air supply will be sufficient for proper combustion. In airtight houses, it might be necessary to install an outside air inlet (see details in: «3-INSTALLATION» D- COMBUSTION AIR).

The furnace must be positioned so that the connector is as short as possible to minimize the use of 90° elbows.

The owner must ensure a proper installation to allow a safe operation of the appliance.

MATCHING THE TRANSFER DUCT BETWEEN THE TWO HEAT GENERATORS

Install the plenum and heating ducts in line as in option 1 of appendix 1. In series connection should be considered only if in line connection is not feasible.

If the ducts are installed in series (appendix 1, option 2) and the oil furnace's fan limit control is mounted on the plenum, the divider in the plenum must be installed at least 5" (127 mm) above the fan limit control casing. This divider must be air tight.

Do not install connecting ducts in a way that would allow inversion of the air flow.

The transfer duct between the existing furnace and the add-on must be at least 240 square inches and deviations radius must be at least 6". (see the drawing on the following page)

Do not remove any safety device from the existing furnace.

You must determine the air flow through the existing furnace before installing the AN-30 add-on:

1. Run the oil furnace for at least 15 minutes, or until it reaches its maximum temperature.
2. With a thermometer, measure the temperature of the cold air entering the furnace and that of the air exiting the furnace in the hot air plenum.

The temperature rise is obtained by subtracting the cold air return temperature from that of the air exiting in the hot air plenum..

3. Make the following verifications (OIL)):

$$\text{CFM} = \frac{\text{orifice size (SI)} \times 39\,023 \times E}{1.21 \times T}$$

$$\text{CFM} = \frac{\text{orifice size (Imperial)} \times 140\,000 \times E}{1.1 \times T}$$

or

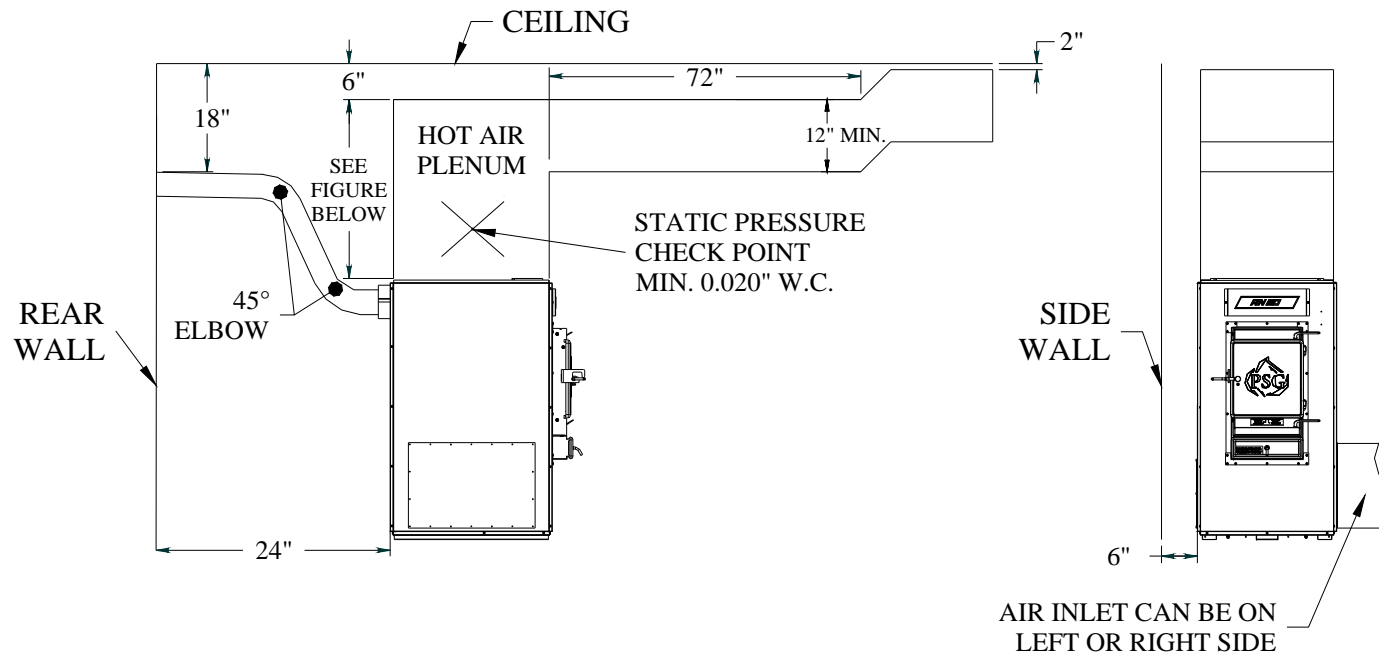
E : Average heat generator efficiency (0.75)

T : Temperature rise (°C)

4. After the installation of the add-on, the original numbers must be restored in order to maintain a constant air flow through the furnace.

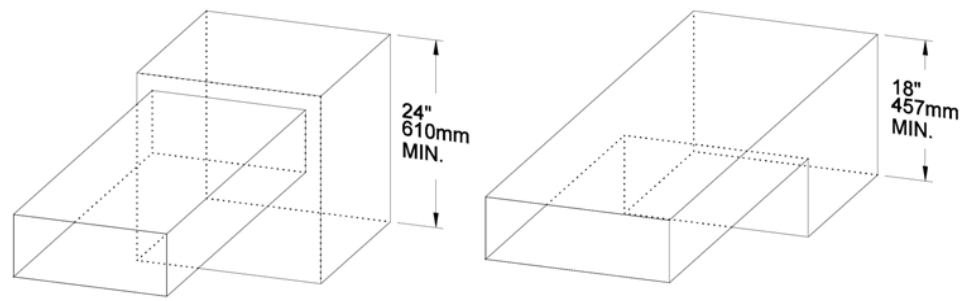
MINIMUM CLEARANCES TO COMBUSTIBLE MATERIALS FOR AN-30 ADD-ON

N.B. This appliance must be installed in accordance with the instructions on the certification plate applied on the unit.



The furnace may be installed on a combustible floor.

N.B. THE AIR RETURN CONDUITS SHOULD BE AT LEAST EQUAL TO THE COLD AIR PLENUM DIMENSIONS.



Hot air plenum minimal height.

PIPE CONNECTOR AND DAMPER

Before proceeding to connection, remove all accessories, such as scraper, shovel and poker from the evacuation pipe of the furnace.

A 8" diameter chimney and connector approved for use with wood burning heating appliances are mandatory for the AN-30. Install the barometric control provided with the furnace. Do not install a manual damper.

It's strictly forbidden to connect a solid fuel burning appliance to a chimney deserving a propane or natural gas appliance. Regulation CAN-CSA-B365.1.

For a proper installation, follow the following advices :

1. All the joints of the evacuation pipe connections must be secured with three screws.
Make sure that each screw goes through the inner wall of both connectors (male and female). See pictures below showing a male-female coupling.

PROPER INSTALLATION



WRONGFUL INSTALLATION



2. A minimum upward slope of 1/4 inch per horizontal foot must be respected.

DAMPER

The barometric damper must be adjusted so that the maximum draft measured at the furnace outlet is limited to -0.06 in. w.c.. **However, the minimum draft to be respected at all times is -0.04 in. w.c. on the solid fuel side, no matter what type of furnace.**

WARNING: DRAFT HIGHER THAN -.06" W.C. MAY CAUSE AN UNCONTROLLABLE FIRE.

COMBUSTION AIR

When the furnace and the chimney are completely cold, it might be necessary to provide fresh air by opening a door or a window for a few minutes before lighting.

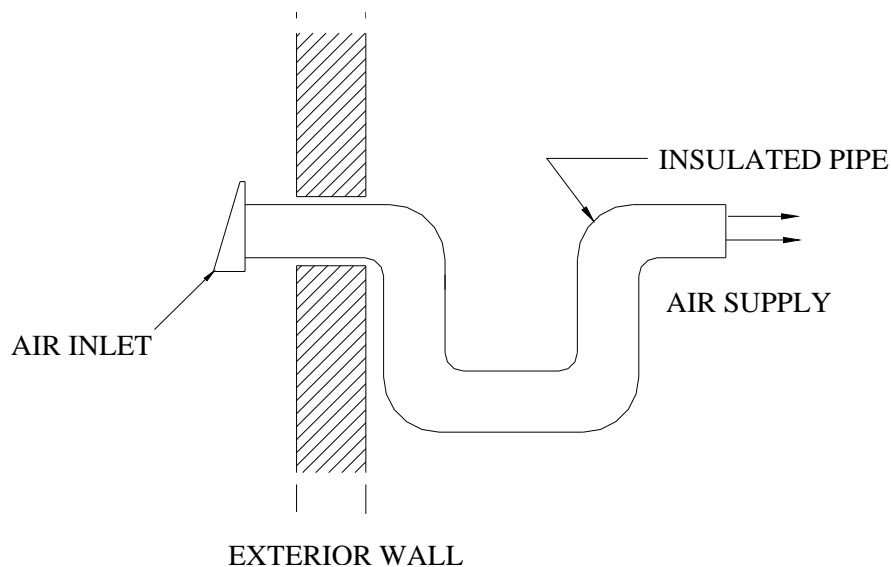
Take note that a house constructed or renovated in order to be airtight is liable to lack fresh air which is necessary for a proper combustion and operation of heating appliances.

When starting up the fire, do not operate appliances which evacuate air outside the house such as:

- Range hood
- Air exchanger
- Cloths dryer
- Bathroom fan
- Ventilated central vacuum system

NOTE:

It is recommended to install an outside air inlet of minimum 4" in diameter in or near the room where the heating appliance is installed (see drawing below). When doing so, it is preferable to choose a wall which is not exposed to dominant winds, depending on the conditions surrounding your house.



N.B. The owner of the furnace is responsible for the room salubrity in case of negative pressure or temporary negative pressure.

ELECTRICAL CONNECTIONS

The following instruction do not replace those of the local code.

AN-30 ADD-ON

Installation and verification of this appliance must be done by a qualified service man.

Mount the fan limit control on the side of the furnace opposed to the transfer duct between the two heat generators. Install the damper motor on the upper right side of the front panel (mounting holes are already drilled).

If the ducts are connected in series (appendix 1, option 2) and the fan limit control of the existing furnace is located in the plenum, the divider must be installed at least 5" (127 mm) above the fan limit casing. This divider must be airtight.

All wiring and connections must be done according to the diagram. The controls of the two furnaces must be interconnected.

ATTENTION : ONLY USE WIRES SUITABLE FOR 75° C.

THERMOSTAT

The thermostat must be installed on an inside wall in a location where it is not likely to be affected by the draft coming from an air outlet. It must be installed at a minimum of 55 inches above the floor. The two thermostats on a combined system must be installed at same height. In normal bi-energy operation, the wood system thermostat should be set 2° to 3° higher than the electric system thermostat.

FAN CONTROL

The fan control settings vary depending on the type of installation. The "fan off" setting is preset at 110° F at the factory. This setting should provide a proper operation in most installations. The "fan on" setting is factory set at 150° F.

It is preferable for a prolonged operation of the blower that the "fan off" setting be low enough. But a "fan off" setting too low will cause undesirable cold air circulation. To modify the setting, turn the indicator at the desired position on the temperature scale of the fan limit control.

The adjustment of all controls must be performed by a qualified technician. The controls setting and the blower speed must conform to the recommendations of the "Warm Air Heating and Air Conditioning National Association". To obtain a continuous air circulation during summer, simply move the manual switch of the fan limit control from the "auto" to the "manual" position.

The switch located below the fan limit control operates the low speed either at the “on” position or the “off” position. For a better efficiency we recommend to leave the high speed on automatic for heating and to use the low speed for continuous air circulation.

It is possible that the blower and motor pulleys have to be replaced in order to obtain the desired air flow through the system. (The use of a more powerful motor is permitted on the belt driven blowers) Direct drive motors may not be replaced but they may be upgraded by replacing the capacitor.

WARNING : the blower of the existing furnace may not be changed.

4. OPERATING INSTRUCTIONS

Start the existing heat generator periodically to make sure it is in good working condition

On the wood only furnaces, the thermostat controls the air inlet damper. When the thermostat calls for heat, the damper opens and the combustion is stirred up. When the furnace gets hot enough, the fan limit control activates the blower motor at the speed selected for wood heating.

The chain that links the air inlet latch to the damper motor must have a play of 1/8 inch. When there is no call for heat, the air inlet latch must be completely closed and the chain must be hooked up to the servo-motor at “8 o’clock”. *

- (With all reserve for the minimum air intake to be increased depending on the type and quality of the combustible).
-

LIGHTING

NEVER USE CHEMICALS OR FLAMMABLE LIQUIDS TO LIGHT THE FURNACE

1. Open the door

Note: If there already is a good ember bed in the furnace, go to step b) Pre-heating.

2. Place one or two pieces of dry kindlings at the front of the furnace.

3. Place newspaper strips on top of the kindlings.

4. Cover the newspaper with small pieces of dry wood.

5. Add newspaper strips, then light the fire as low as possible and leave the door 1/2" (13 mm) opened. If lighting fails, you might experience a smoke back draft through the air inlets.

PREHEATING

1. Once the kindling is well ignited or the coals revived, put 2 or 3 fire logs in such a way that the flames can interlace between the logs and close the door.
2. Wait 15 to 20 minutes then proceed with loading the furnace.

HEATING

1. When reloading the furnace, first spread the embers at the center of the combustion chamber before adding new logs.
2. Do not overload. Air must circulate freely in the upper part of the combustion chamber in order to obtain an efficient operation of the appliance. Note that a small hot fire will produce much less creosote than a large smouldering one.

PROCEDURE TO OPEN THE LOADING DOOR

**TO MINIMIZE THE RISK OF A BACK DRAFT OPEN THE DOOR 1”
AND WAIT ABOUT 10 SECONDS BEFORE OPENING COMPLETELY.
THE PURPOSE IS TO STABILIZE THE PRESSURE INSIDE THE FURNACE.**

EARLY SIGNS OF OVERFIRED FURNACE

1. Roaring fire.
2. Chimney connector is glowing red.
- 3- Extreme heat coming from the furnace.

If this occurs, **DO NOT OPEN THE DOOR**, shut-off the air inlet completely, and wait until the glow has completely subsided.

**ALWAYS KEEP THE DOOR AND THE ASH DRAWER CLOSED
(except for lighting and maintenance)..**

WOOD AS HEATING FUEL

- ✓ **DO NOT USE CHEMICALS OR FLAMABLE LIQUIDS TO LIGHT THE FIREPAS**
- ✓ **DO NOT BURN TRASHES’ GASOLINE’ NAPHTA’ MOTOR OIL OR OTHER SUCH MATERIALS.**

We recommend that you burn dry wood only.

There are two important factors to be considered when choosing a type of wood: the moisture content and the wood density. Hardwood, such as maple, oak or beech will provide better results because of the high density and minimal tar produced during combustion. It is highly recommended to use wood that has been dried at least six months. **Do not use coal as heating fuel in this appliance.**

Whenever a high rate of smoke is noticed in the room, you must:

1. Open doors and windows.
2. Make sure the furnace door is closed as well as the damper (if necessary, lower the thermostat starting point or undo the chain of the damper and close manually the barometric control).
3. When the furnace has cooled down, inspect the chimney to detect obstructions and consult a specialist to determine the cause.

CARBON MONOXYDE IS A LETHAL GAS (ODOURLESS AND COLOURLESS), WHICH YOU MUST BEWARE OF.

CHIMNEY FIRES

This might occur when the fire gets extremely hot and may be triggered by the burning cardboard, branches or small pieces of wood when the flame ignites the creosote residues accumulated in the evacuation system. The usual signs of chimney fire are:

1. Rumbling
2. The flue gets extremely hot
3. Flames or sparks are coming out of the chimney

In case of a chimney fire, call your local fire department immediately and sprinkle the roof around the chimney with water.

Make sure that the furnace door is closed as well as the damper (if necessary, lower the thermostat setting or release the chain of the damper and CLOSE the barometric damper manually).

If the fire gets uncontrollable due to an improper use or because the draft is too strong, follow the same procedure as in a chimney fire except that you will have to OPEN manually the barometric damper.

LOCAL FIRE DEPARTMENT.

Phone number: _____

PROLONGED POWER OUTAGE

In case of prolonged power outage (more than 10 minutes), in order to diminish the risk of overheating, it is recommended to :

- Make sure that the furnace's damper is closed.
- Open the filter compartment of the existing furnace in order to facilitate the circulation of air, through natural gravity, around the wood add-on combustion chamber.

5. MAINTENANCE

MAINTENANCE OF THE EXCHANGERS

The smoke pipe and the exchangers should be inspected regularly during the heating season.

CHIMNEY MAINTENANCE

One of the most efficient methods is to sweep the chimney is using a hard brush. Brush up and down, soot and creosote residues will come off the inside surface and fall at the bottom of the chimney where they may be removed easily.

The chimney must be checked regularly and if creosote has accumulated, it must be removed to prevent chimney fires. Cleaning on a monthly basis should be sufficient during the coldest months.

Smoke pipe inspection

- The smoke pipe should be inspected regularly during the heating season.
- If possible, the smoke pipe should be dismantled and cleaned.
- The smoke pipe should be inspected to detect any defect.
- If no defect is noticed, put the flue back in place; otherwise, it must be replaced.
- Use only wood as a combustible.

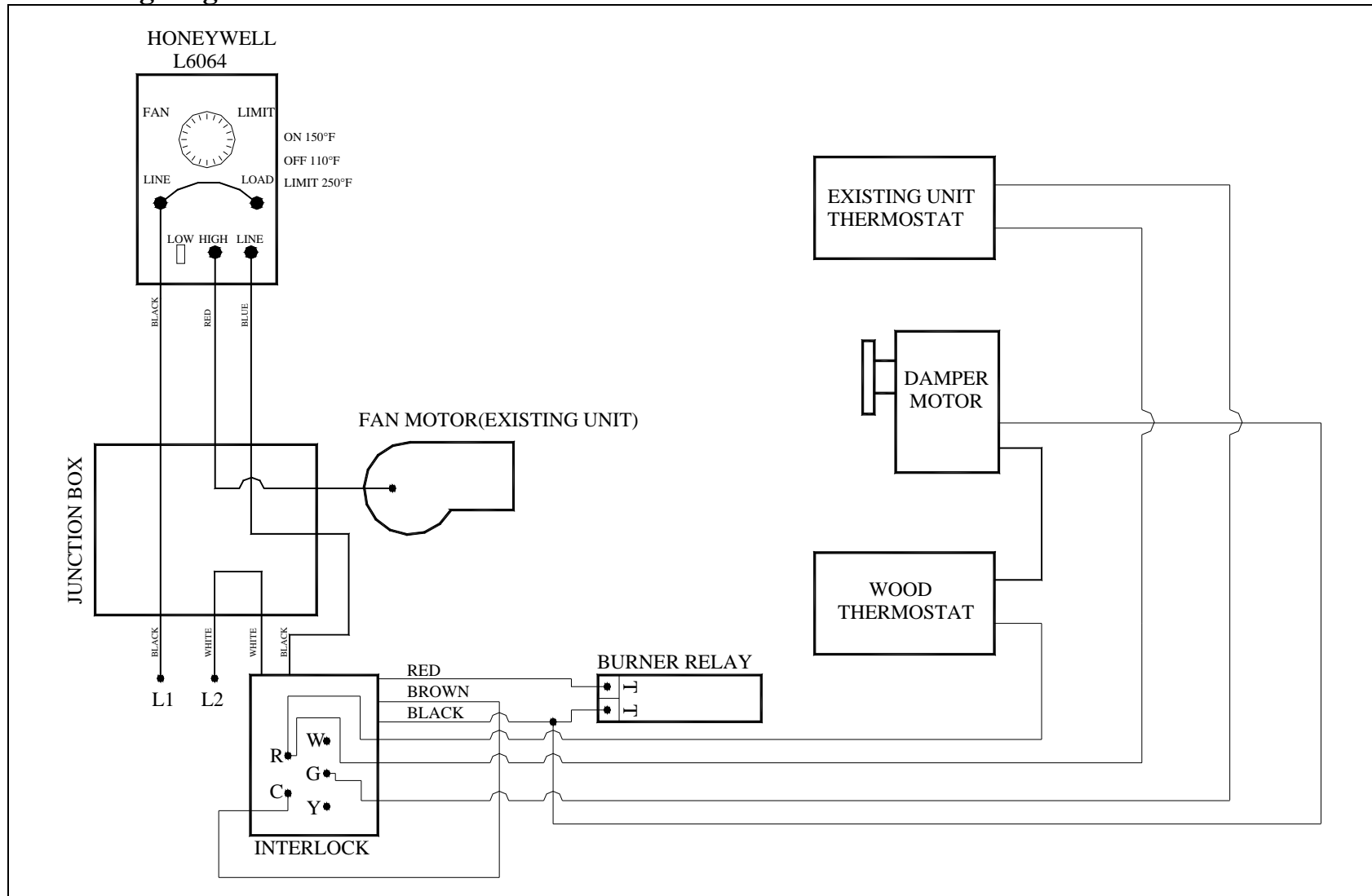
Seasoned hard wood logs, 18" to 22" long, are recommended as a combustible.

DOOR GASKET MAINTENANCE

It is important to maintain the door gasket in good condition. After a while, the gasket might sag which will necessitate a door adjustment.

Door adjustment procedure:

6.1 Wiring diagram AN-30 Add-On



7. TECHNICAL DATA AN30 ADD-ON FURNACE

	AN30 ADD-ON
A	34 1/2"
B	25 3/4"
C	47 1/4"
D	33 1/2"
E	24 1/2"
F	43 1/4"
G	22 1/8"
H	14 3/8"
FLUE	8"
WEIGHT	400 Lbs

TECHNICAL DATA

MODÈLE	TEMP.	BTU/HR	PRESS. STATIQUE	
	VARIABLE (°F)	(BOIS)	MIN.	MAX.
			H ₂ O	
AN30	78	100 000	0,2	0,6

8. DUCTS AND DAMPERS DIMENSIONS SIMPLIFIED METHOD DISTRIBUTION SYSTEM

Ducts size (heat)

4 inch outlet	reduce by 1"	
5 inch outlet	reduce by 2"	Always by 8" thick
6 inch outlet	reduce by 3"	

N.B.: The main duct must be reduced every 2 outlets.

Ducts specifications (heat)

Dimensions	Length	Elbow	Average equivalence
4"	10'	1 x 90°	Max 4,000 Btu
5"	10'	1 x 90°	Max 6,000 Btu
6"	10'	1 x 90°	Max 7,000 Btu

DAMPER

For a 4" warm air outlet: 2" x 10" damper

For a 5" warm air outlet: 2" x 12" damper or 4" x 10"

For a 6" warm air outlet: 2" x 14" damper or 4" x 12"

WARM AIR SYSTEM INSTALLATION

HOUSE DIMENSIONS

Example: 28 x 40 bungalow: 1,120 sq. ft.

28 x 40 x 8: 8,960 cu. ft. x 1.8 Ch. air/hr: 16,128 Btu

Exposed walls:

40 + 40 + 28 + 28: 136 x 8: 1,088 cu. ft. x 22: 23,936 Btu

Number of windows:

12 of 3 x 4: 144 x 60: 8,640 Btu

Number of doors:

2 x 3 x 7: 42 x 100: 4,200 Btu

Non-insulated basement: 25% 52,904 Btu

Insulated basement: 15% 7,906 Btu

or 54 Btu per sq. ft. 60,840 Btu

FOR ELECTRIC ELEMENTS 80%: 48,672 Btu or 14,28 kW

TO BE ADDED: House 1 1/2 floor = 25%

House 2 floors = 40%

BEDROOM (for example: 12 x 12)

12 x 12 x 8: 1,152 cu. ft. x 1.8 Ch. air/hr: 2,074 Btu

Exposed walls:

12 + 12 x 8: 192 x 22: 4,224 Btu

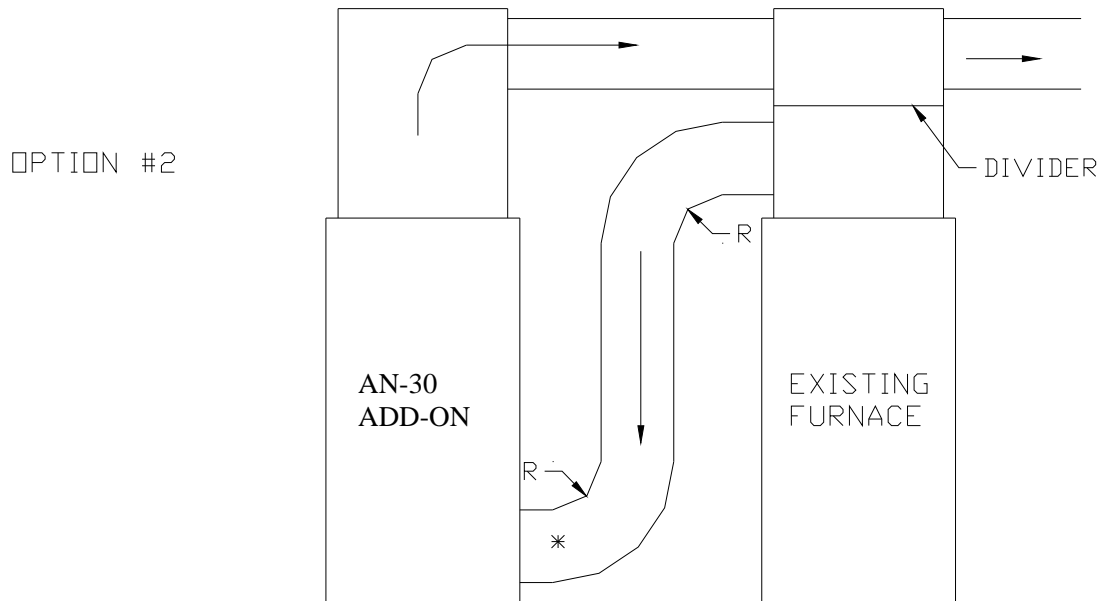
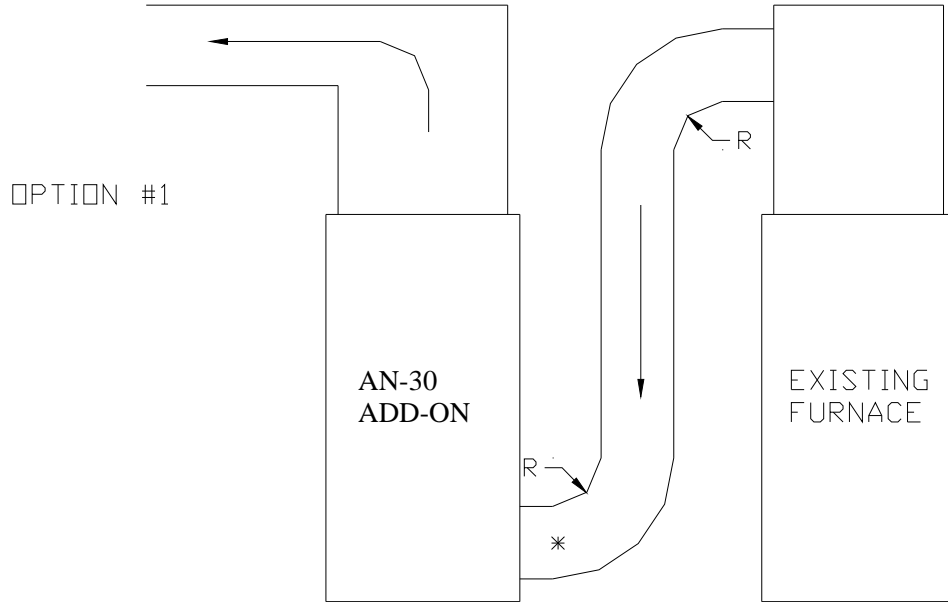
Windows:

3 x 4 x 60 720 Btu

7,018 Btu

9. APPENDIX 1

INSTALLATION OF ADD-ON AN-30



* MINIMUM DUCT SIZE 240 SQUARE INCHES

** R = MINIMUM RADIUS 6 INCHES

10. TROUBLESHOOTING

PROBLEMS	CAUSES	SOLUTIONS
1. Sudden drop in heating performance after normal heating sequences.	ash build-up in front of the lower air inlet that prevents the combustion air from entering the combustion chamber, sooting up the exchangers and flue	Unclog the air inlet and clean the exchangers and flue pipe.
2. Does not heat well from the start , lacking draught	Barometric damper adjusted wrong (openstoo much). Too much restriction in the smoke pipe (too long or too many elbows)	Adjust the barometric damper to maintain the draught at -.06 " W.C. Reduce the distance to the chimney to 10 feet max. Use 45 degree elbows when possible. Do not use more than 3 90 degree elbows.
3.Furnace burn well, plenum gets hot but there is little heat in the house.	Poor ventilation system design, low static pressure, bad cold air inlet vs warm air outlet ratio.	Redesign the ventilation system
4. Furnace burn excessive amount of wood	The wood thermostat is always calling for heat (too close to a cold air draft). Damper constantly open. Deficient insulation of the house. Ash drawer opened or leaking air. Furnace too small.	Move the thermostat. Adjust the air intake damper . Balance the ventilation system to increase the heat input in the room where the thermostat is located.
5, Fan start-up is too slow.	Fan "ON" setting too high. Return air is too cold (temperature lower than 65 degrees). Limit control not well located in the warm air plenum.	Lower the temperature starting point. Usually, the limit control is set at 150 degrees, we can under certain conditions, reduce this temperature. Reduce the fresh air flow. Relocate the limit control.
6. A lot of creosote, moderate heat output.	Wet wood, lack of draught. Barometric damper not properly adjusted. Sooted up chimney.	Use dry wood. Adjust the barometric damper. Clean the chimney flue and the furnace exchangers.
7. Furnace burns well but the plenum does not get hot enough.	Bad quality of wood. Too much air return, not enough heat outlets. Deficient ventilation system.	Use only well seasoned hard wood. Redesign the ventilation system.

IMPORTANT NOTICE

**FOR, INSTALLATION OF A CENTRAL HEATING SYSTEM, IT IS HIGHLY RECOMMENDED TO CONSULT A HEATING SYSTEM VENTILATION SPECIALIST
N.B.:STOVE BUILDER INTERNATIONAL INC. IS NOT RESPONSIBLE FOR POOR APPLIANCE PERFORMANCES, DUE TO AN IMPROPER INSTALLATION.**

PSG LIMITED LIFETIME WARRANTY

The warranty of the manufacturer extends only to the original consumer purchaser and is not transferable. This warranty covers brand new products only, which have not been altered, modified nor repaired since shipment from factory. Proof of purchase (dated bill of sale), model name and serial number must be supplied when making any warranty claim to your PSG dealer.

This warranty applies to normal residential use only. Damages caused by misuse, abuse, improper installation, lack of maintenance, over firing, negligence or accident during transportation are not covered by this warranty.

This warranty does not cover any scratch, corrosion, warping, or discoloration caused by over firing, abrasives or chemical cleaners. Any defect or damage caused by the use of unauthorized parts or others than original parts void this warranty. An authorized qualified technician must perform the installation in accordance with the instructions supplied with this product and all local and national building codes. Any service call related to an improper installation is not covered by this warranty.

The manufacturer may require that defective products be returned or that digital pictures be provided to support the claim. Returned products are to be shipped prepaid to the manufacturer for investigation. If a product is found to be defective, the manufacturer will repair or replace such defect and reasonable transportation fees will be refunded. Repair work covered by the warranty, executed at the purchaser's domicile by an authorized qualified technician requires the prior approval of the manufacturer. Labour cost and repair work to the account of the manufacturer are based on predetermined rate schedule and must not exceed the wholesale price of the replacement part. All labour and freight costs covered by this warranty are limited according to the table below.

The manufacturer at its discretion may decide to repair or replace any part or unit after inspection and investigation of the defect. The manufacturer may, at its discretion, fully discharge all obligations with respect to this warranty by refunding the wholesale price of any warranted but defective parts. The manufacturer shall in no event be responsible for any special, indirect, consequential damages of any nature, which are in excess of the original purchase price of the product.

DESCRIPTION	WARRANTY APPLICATION	
	PARTS	LABOUR
Combustion chamber and heat exchanger (welds only) and castings	Lifetime	5 years
Plating (defective manufacture) – subject to limitations above	Lifetime	n/a
Secondary air tubes, vermiculite baffle, C-Cast baffle and handle assembly	5 years	n/a
Stainless steel baffle and parts	5 years	3 years
Carbon steel baffle and parts	2 years	1 year
Oil burner, electrical elements, blowers, thermal switches, rheostat, relays, damper motor, fan & limit, and other controls	2 years	1 year
Paint (peeling), gaskets, insulation, and ceramic glass (thermal breakage only*)	1 year	n/a

**Pictures required*

Shall your unit or a components be defective, contact immediately your PSG dealer. Prior to your call make sure you have the following information necessary to your warranty claim treatment:

- Your name, address and telephone number;
- Bill of sale and dealer's name;
- Serial number and model name as indicated on the nameplate fixed to the back of your unit;
- Nature of the defect and any relevant information.

Before shipping your unit or defective component to our plant, you must obtain from your PSG dealer an Authorization Number. Any merchandise shipped to our plant without authorization will be refused automatically and returned to sender.