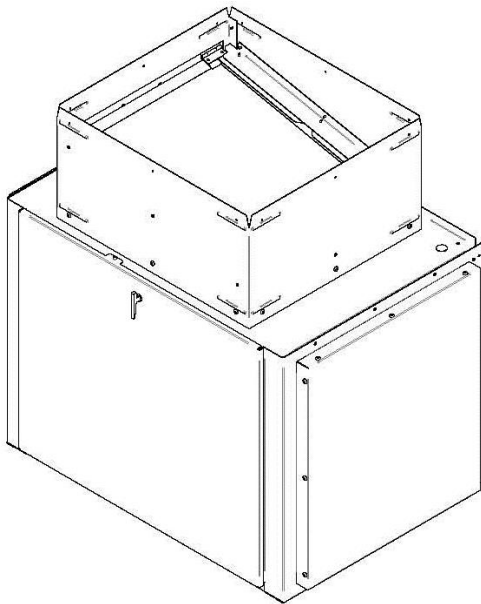




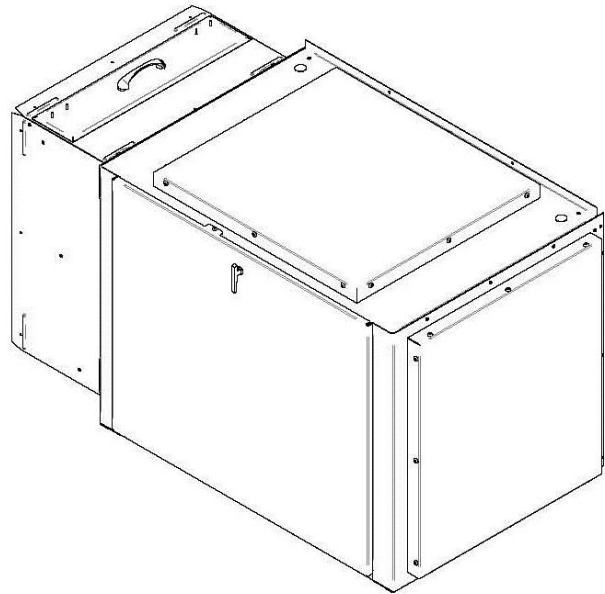
INSTALLATION INSTRUCTIONS FOR THE BLOWER BOX ASSEMBLY AND DUCT SUPPORT ASSEMBLY

PA08566

MAX CADDY FURNACE



Installation on top



Installation on the side



This manual is available for free download on the manufacturer's web site. It is a copyrighted document. Resale is strictly prohibited. The manufacturer may update this manual from time to time and cannot be responsible for problems, injuries, or damages arising out of the use of information contained in any manual obtained from unauthorized sources.



**Eco-energy at the hearth
of your home**

PSG
250, de Copenhague,
St-Augustin-de-Desmaures (Quebec)
CANADA G3A 2H3

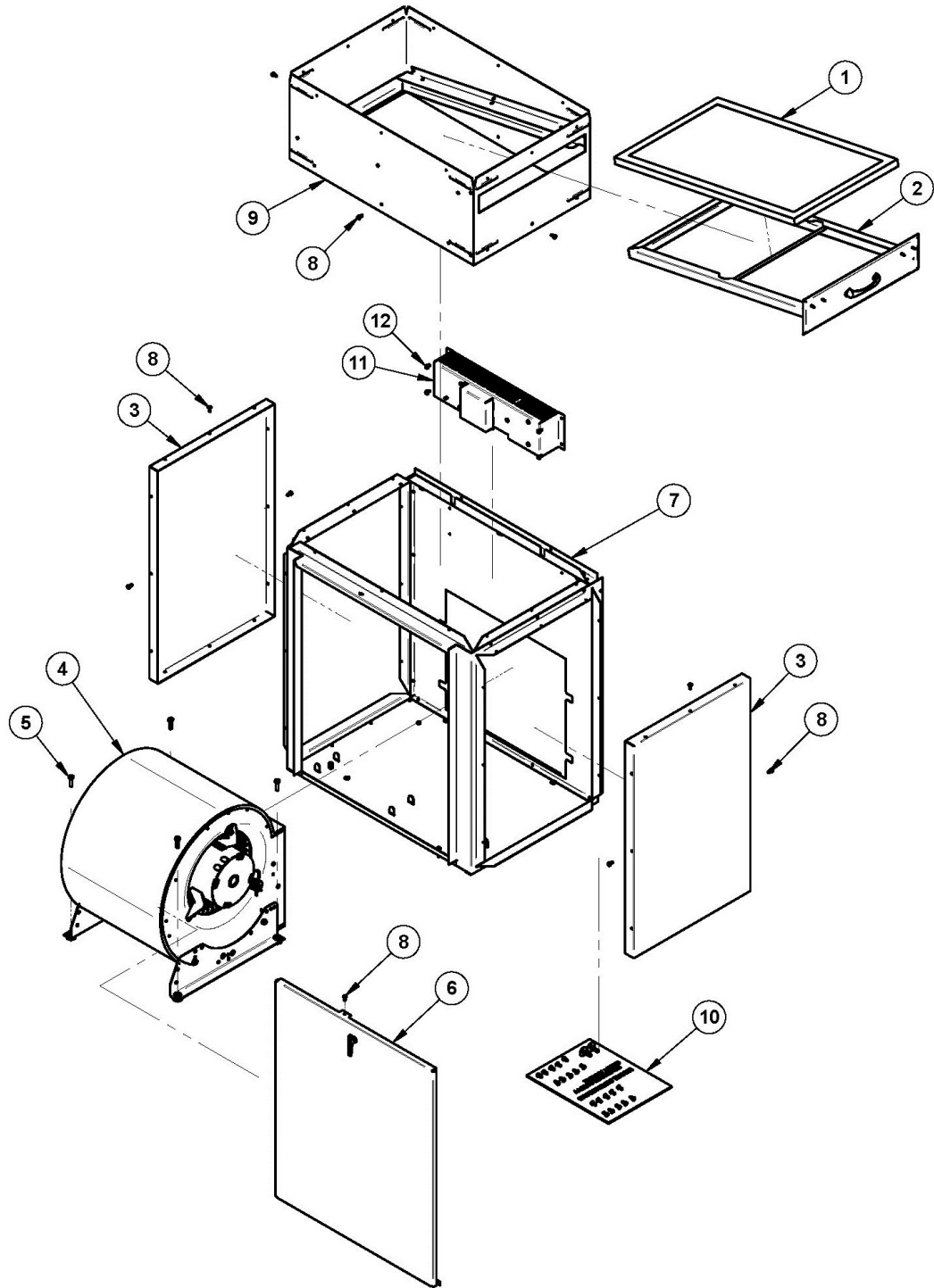
Table of contents

1. BLOWER BOX ASSEMBLY INSTALLATION	4
2. DUCT SUPPORT ASSEMBLY INSTALLATION.....	6
2.1. Installation on TOP	7
2.2. Installation on the LEFT side	9
GENERAL ELECTRICAL WIRING DIAGRAM	10
BLOWER BOX AND DUCT SUPPORT ASSEMBLY DIMENSIONS	11

NOTE : If you install the duct support assembly on the top of the blower box, you have to install the top air return plenum kit PA08500 (not included)

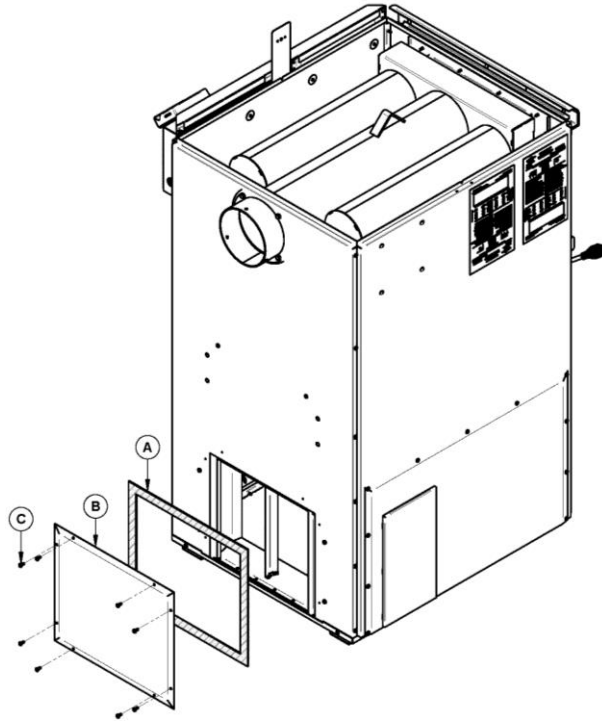
For installation instructions of the other components of the furnace (temperature sensor, servomotor, electronic boards) as well as electrical diagrams for the wood-electric or wood-oil combination furnace refer to the Max Caddy furnace user's manual.

CONTENT OF THE BOX (PA08566)		
1	CARDBOARD AIR FILTER 20" X 16" X1"	1x
2	FILTER SUPPORT ASSEMBLY	1x
3	BLOWER BOX SIDE PANEL	2x
4	G10 BLOWER ASSEMBLY WITH ½ HP MOTOR	1x
5	1/4"-20 X 1" HEXAGONAL BOLT	4x
6	BLOWER ACCESS DOOR WITH HANDLE	1x
7	BLOWER BOX ASSEMBLY	1x
8	BLACK METAL SCREWS #10 X 1/2" TYPE "A" PAN QUADREX	9x
9	DUCT SUPPORT ASSEMBLY	1x
10	BLOWER ASSEMBLY MANUAL KIT	1x
	ELEVATOR BOLTS	2x
	BLACK METAL SCREWS #10 X 1/2" TYPE "A" PAN QUADREX	20x
11	POWER BOARD HOUSING ASSEMBLY	1x
12	CUTTING THREAD SCREW 10-24 TYPE "F" X 3/8" HEX WASHER	4x

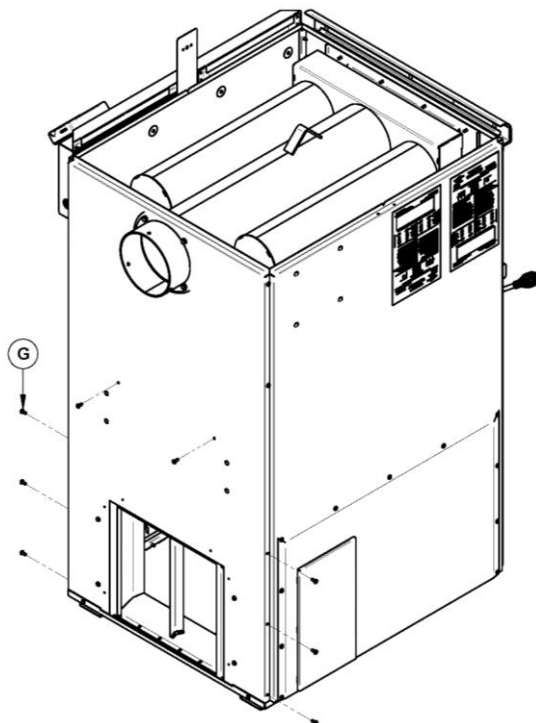


1. BLOWER BOX ASSEMBLY INSTALLATION

Step 1: Unscrew the screws (C) (8X) to remove the panel (B) located at the back of the furnace. Remove the gasket (A). Discard the panel, the screws and the gasket.

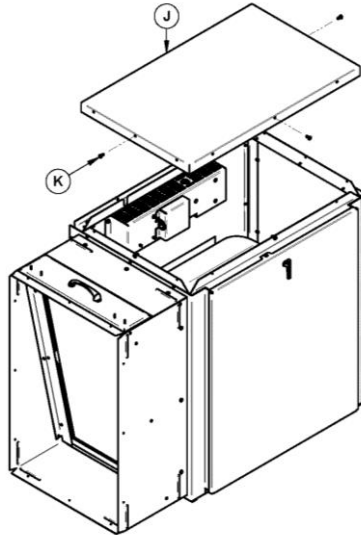


Step 2: Unscrew the screws (G) (8X) on the furnace as shown. Keep the screws.

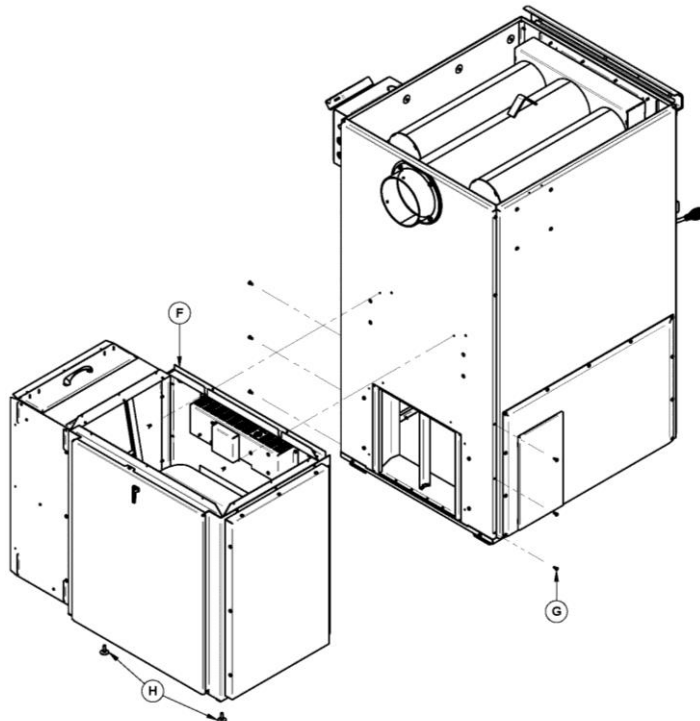


Note: The duct support assembly is installed by default on the right side of the blower box. To change its location, see section “Top installation” or “Left installation”.

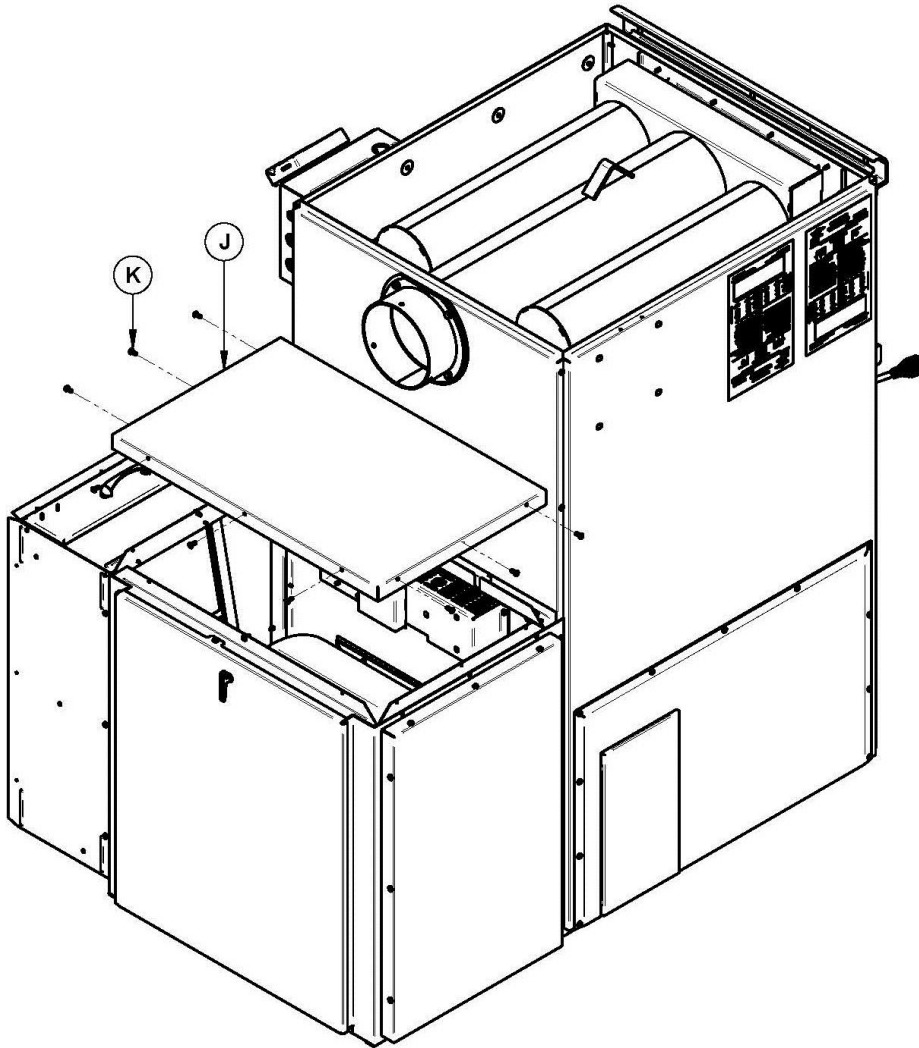
Step 3: Unscrew the screws (K) (3X) and remove the top panel (J). Keep the panel and the screws.



Step 4: Install the elevator bolts (H) (2X), provided with the user’s manual, under the blower box assembly in the holes intended for this purpose. Secure the blower box (F) to the furnace with the screws (G) (8X) removed in **Step 2**. Level the blower box using the elevator bolts.



Step 5: Screw the top panel (J) back in place with the screws (K) kept from **Step 3** (3X). Take the screws provided in the user manual and add the missing screws on the top and side panels.



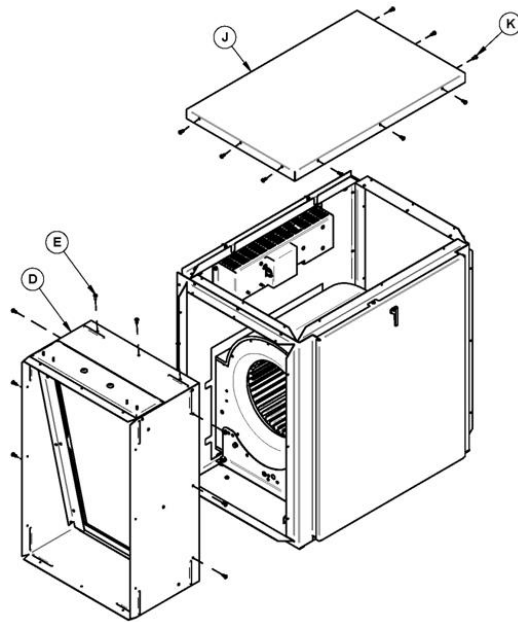
2. DUCT SUPPORT ASSEMBLY INSTALLATION

The duct support assembly can be installed on **TOP**, on the **RIGHT** side or on the **LEFT** side of the blower box. The duct support assembly is installed by default on the right side of the blower box.

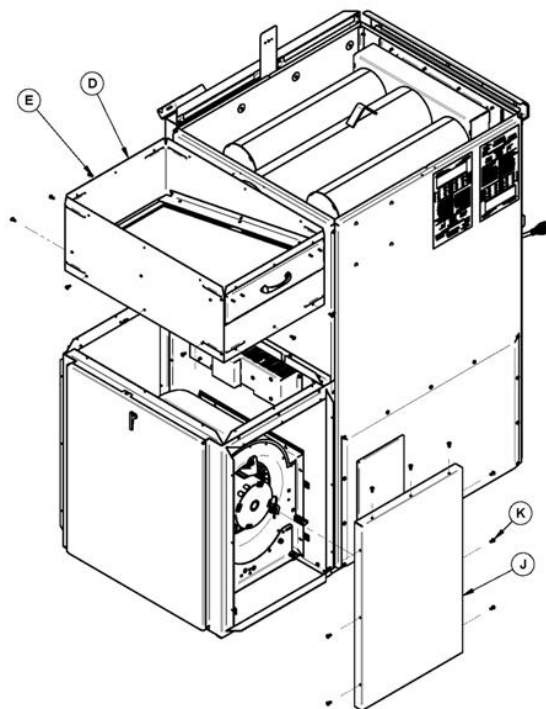
NOTE : If you install the duct support assembly on the top of the blower box, you have to install the top air return plenum kit PA08500 (not included)

2.1. Installation on TOP

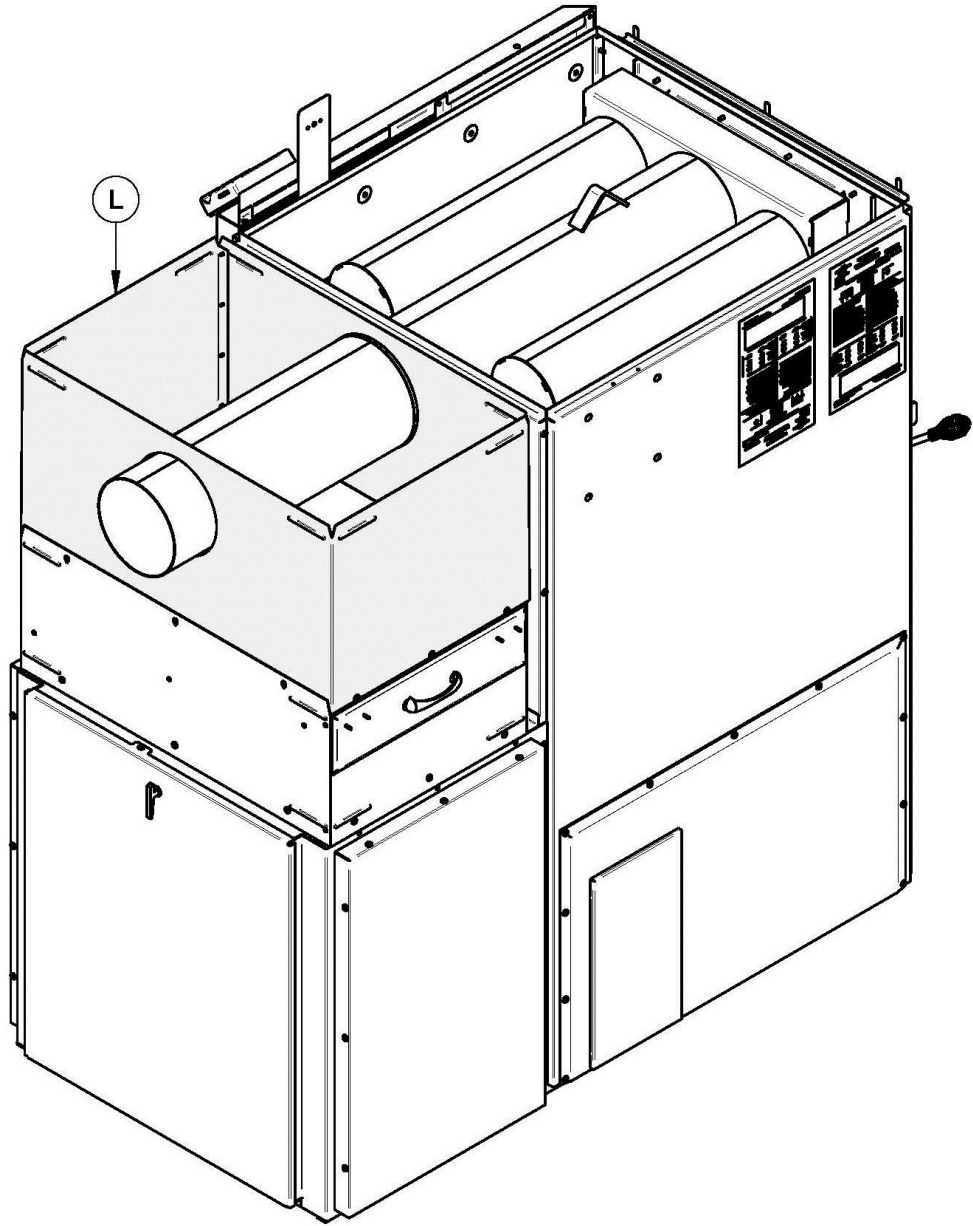
Unscrew the screws (E) (9X) that holds in place the duct support assembly on the blower box. Also unscrew the top panel (J) screws (K) (9X). Keep the panel and the screws.



Screw the duct support assembly (D) on top of the blower assembly with the screws (E) kept previously. Screw the top panel (J) on the side of the blower box assembly with screws (K).

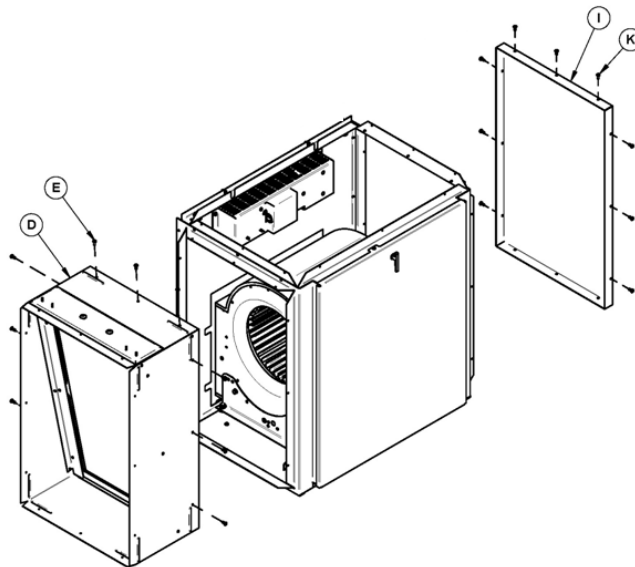


Once the duct support is installed, install the top air return plenum kit PA08500 (L). Installation instructions are provided with the kit.

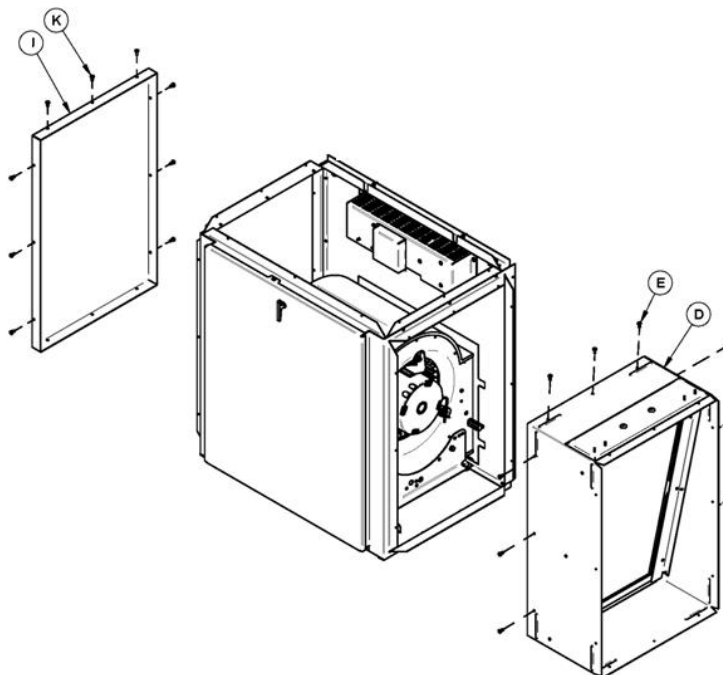


2.2. Installation on the LEFT side

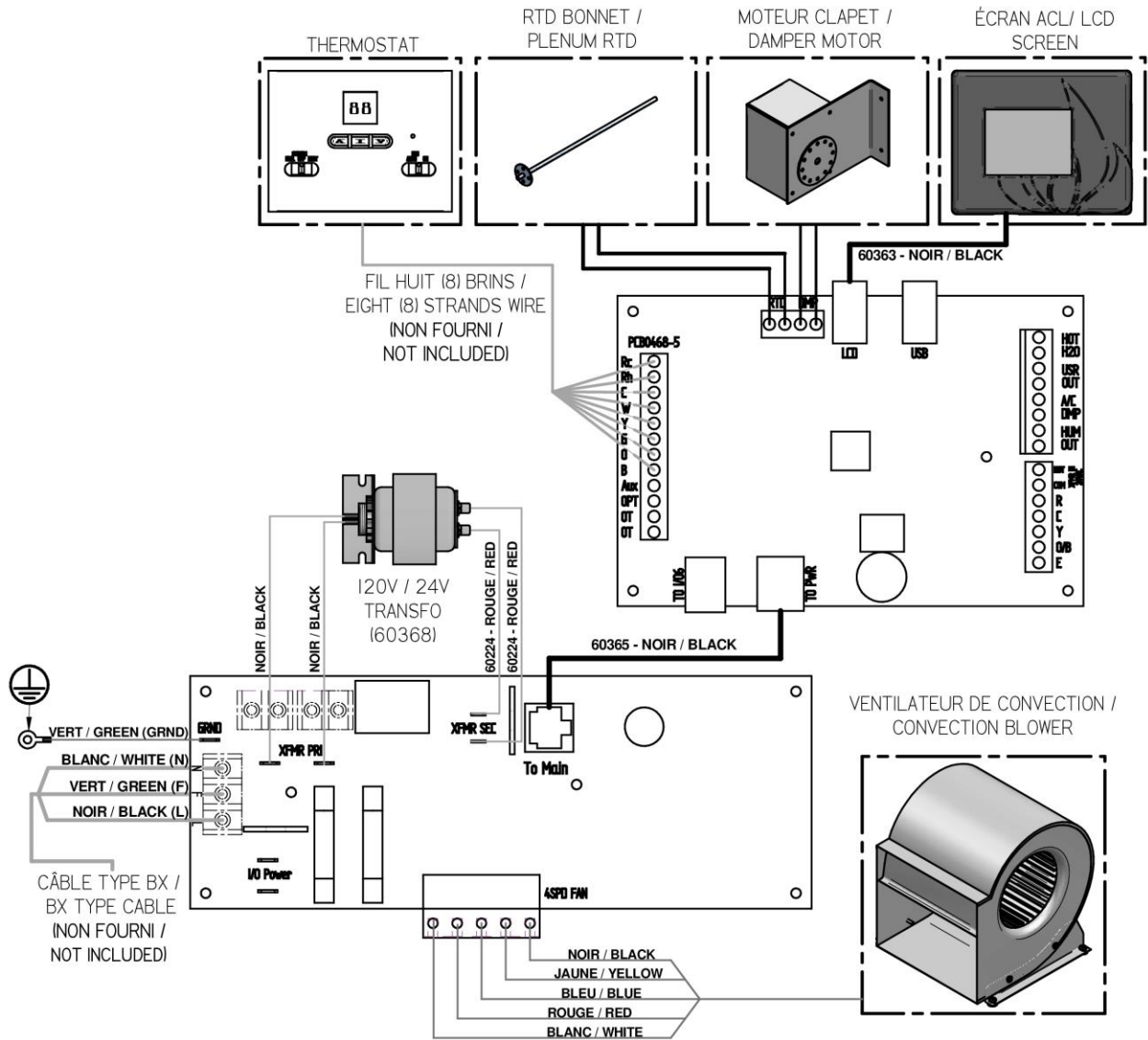
Unscrew the screws (E) (9X) that holds in place the duct support assembly on the blower box. Also unscrew the left panel (I) screws (K) (9X). Keep the panel and the screws.



Screw the duct support assembly (D) on the left side of the blower assembly with the screws (E) kept previously. Screw the left panel (I) on the right side of the blower box assembly.



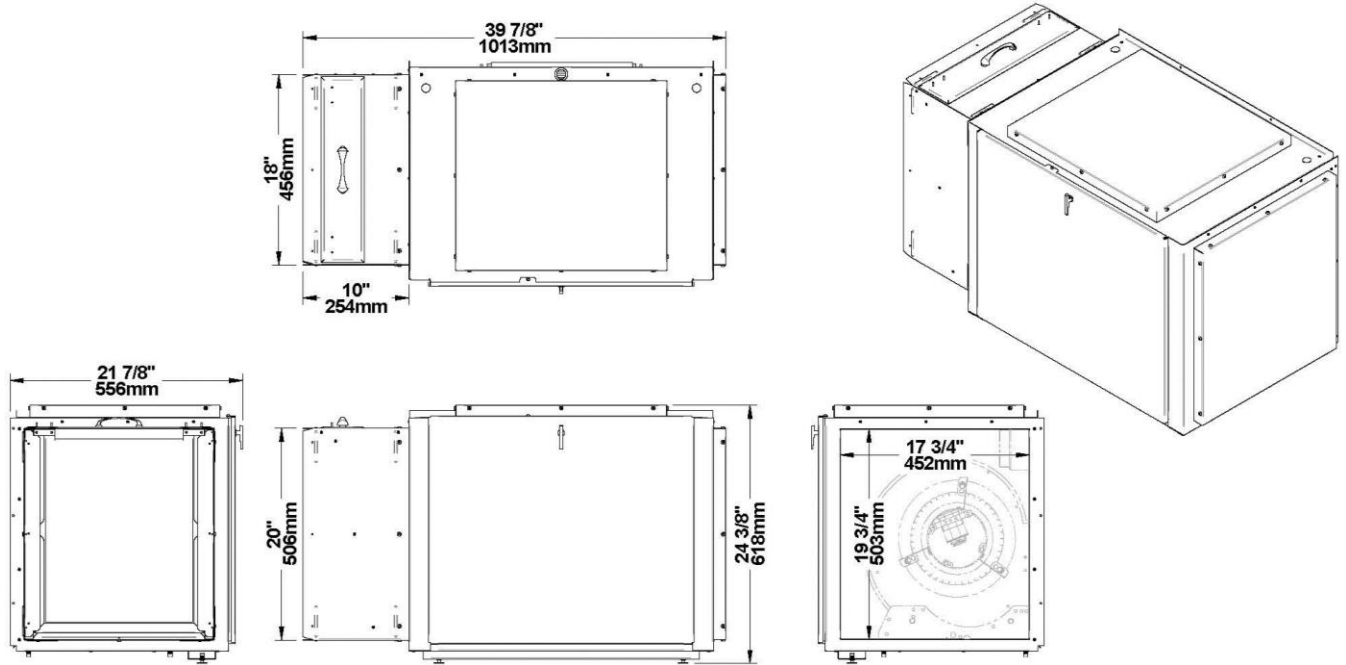
GENERAL ELECTRICAL WIRING DIAGRAM



SCHEMA ÉLECTRIQUE GÉNÉRAL /
GENERAL WIRING DIAGRAM

BLOWER BOX AND DUCT SUPPORT ASSEMBLY DIMENSIONS

Left side or right side installation



Top installation

