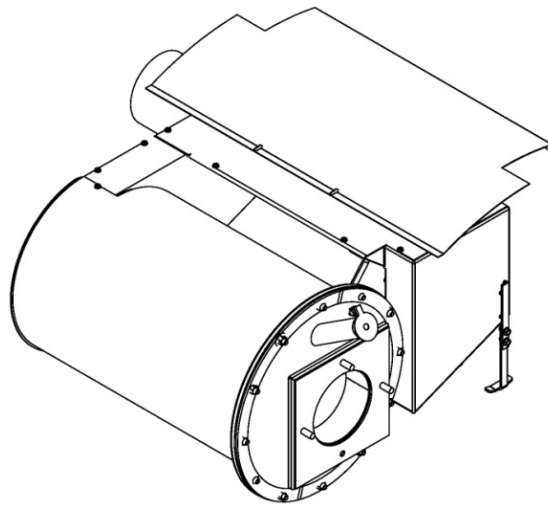




Eco-Energy
at the heart of your home

Installation instructions for oil unit **CADDY FURNACE** **PA03050 and PA03100**

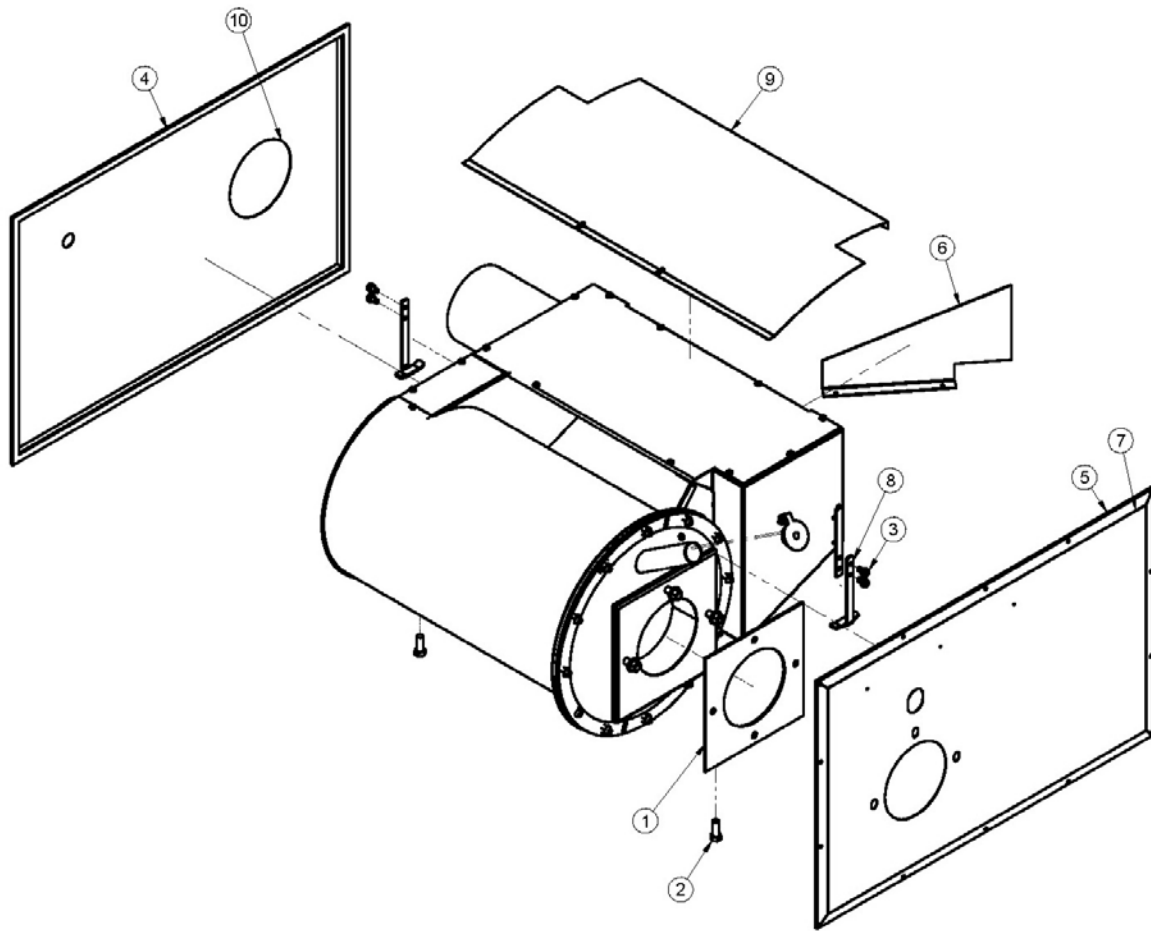


**Read these instructions carefully before installing
and operating your furnace.**

Please keep this document!



This manual is available for free download on the manufacturer's web site. It is a copyrighted document. Re-sale is strictly prohibited. The manufacturer may update this manual from time to time and cannot be responsible for problems, injuries, or damages arising out of the use of information contained in any manual obtained from unauthorized sources.



1	OIL BURNER GASKET	1X
2	ELEVATOR BOLTS 3/8"-16 X 1"	2X
3	SCREWS 1/4"-20 X 1/2" HEX.	4X
4	LEFT PANEL GASKET	1X
5	RIGHT PANEL GASKET	1X
6	OIL UNIT BAFFLE	1X
7	OIL UNIT RIGHT PANNEL	1X
8	OIL UNIT LEGS	2X
9	OIL UNIT ROUNG BAFFLE	1X
10	OIL UNIT LEFT PANEL	1X

OIL UNIT INSTALLATION FOR THE CADDY FURNACE

Your Caddy furnace can be equipped with an optional oil unit.

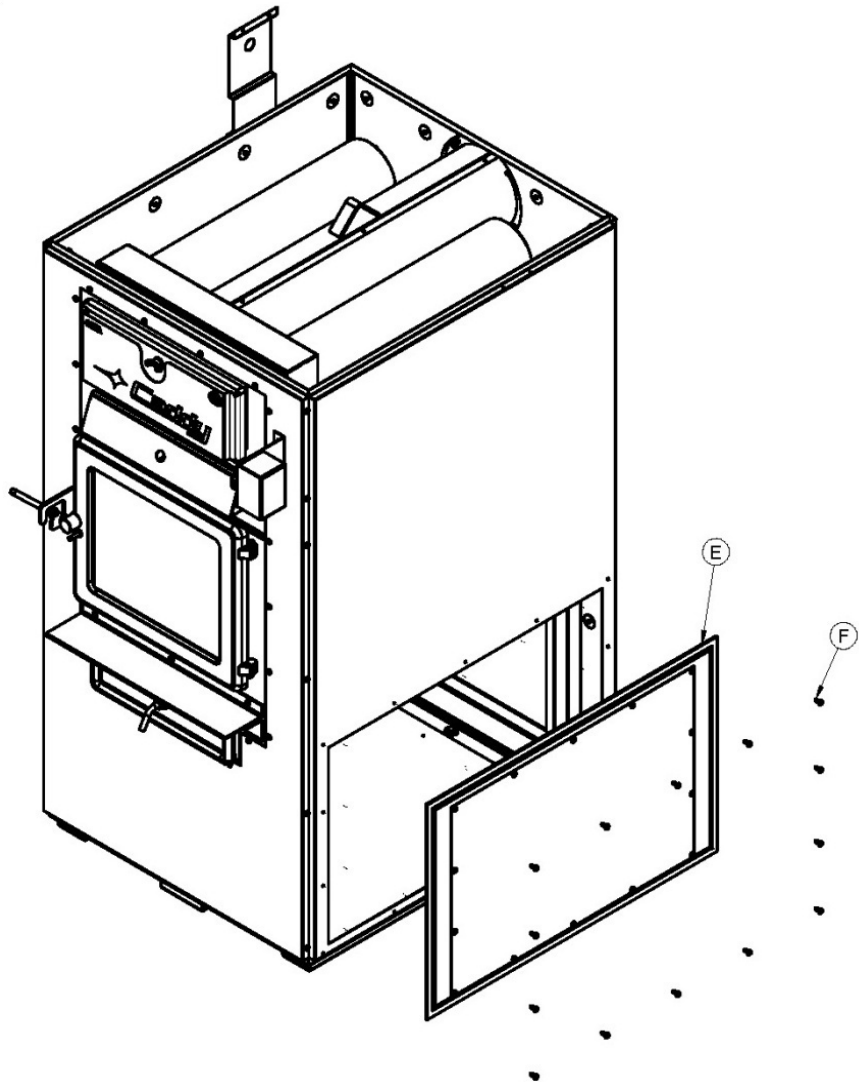
**WARNING: INSTALL THE NOZZLE. ADJUST THE ELECTRODES.
ADJUST PRESSION.**

**NOTE: IF A PROBLEM RESULTS FROM IMPROPER INSTALLATION,
NO PRODUCT WARRANTY WILL BE VALID.**

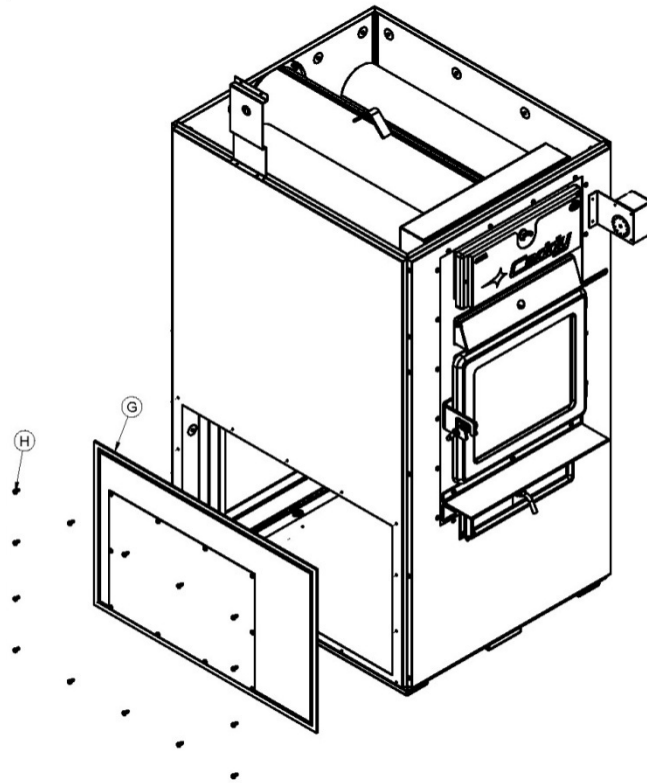
*Please note that the installation is carried out in an identical way
for both Beckett and Riello burners.*

BURNER INSTALLATION

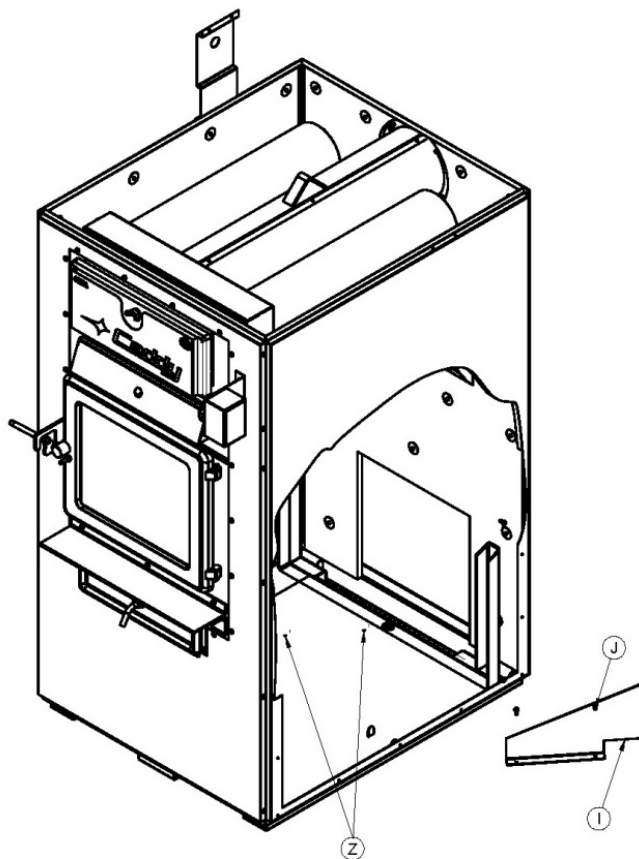
Step 1: Remove the panel (E) located at the right of the furnace by unscrewing the screws (F) maintaining it in place. Keep these screws, but you may dispose of the panel.



Step 2: Remove the panel (G) located at the right of the furnace by unscrewing the screws (H) maintaining it in place. Keep these screws, but you may dispose of the panel.



Step 3: Install the baffle (J) on the floor of the unit and secure it in the holes (Z) provided for this purpose with two screws provided in the kit. Make sure that the notch (I) rests on the edge of the back wall of the furnace.



Step 4: Remove the two screws (M) located under the ash pan casing (Y) (see Figure 1). Place the baffle (K) below the ash pan casing. Screw the front of the baffle under the ash pan casing with the screws (M) in their original holes (see Figure 2).

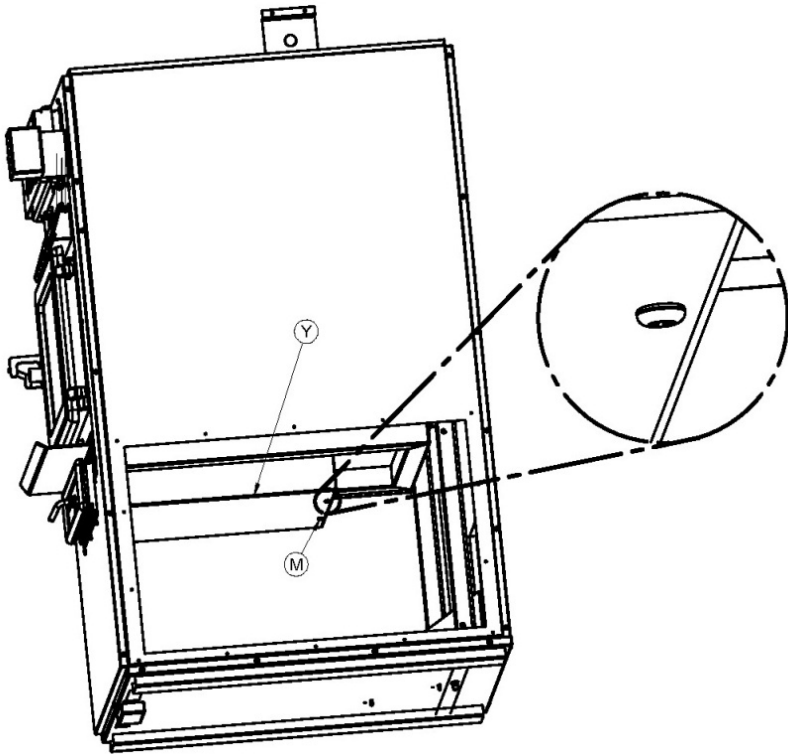


FIGURE 1

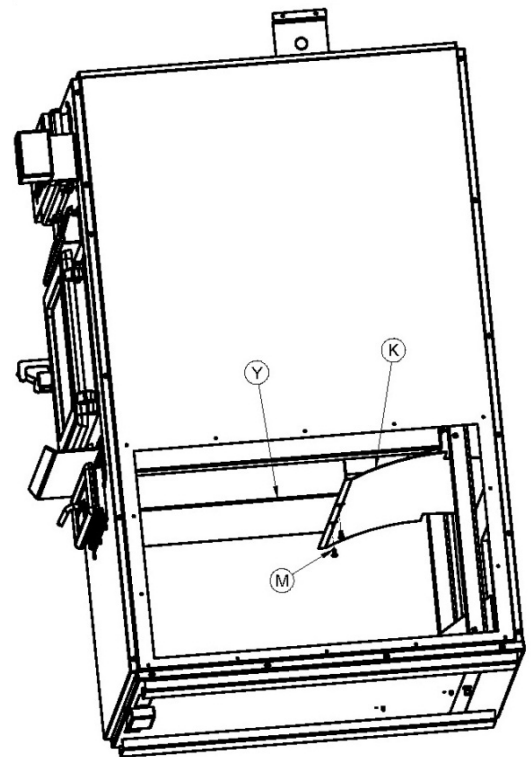
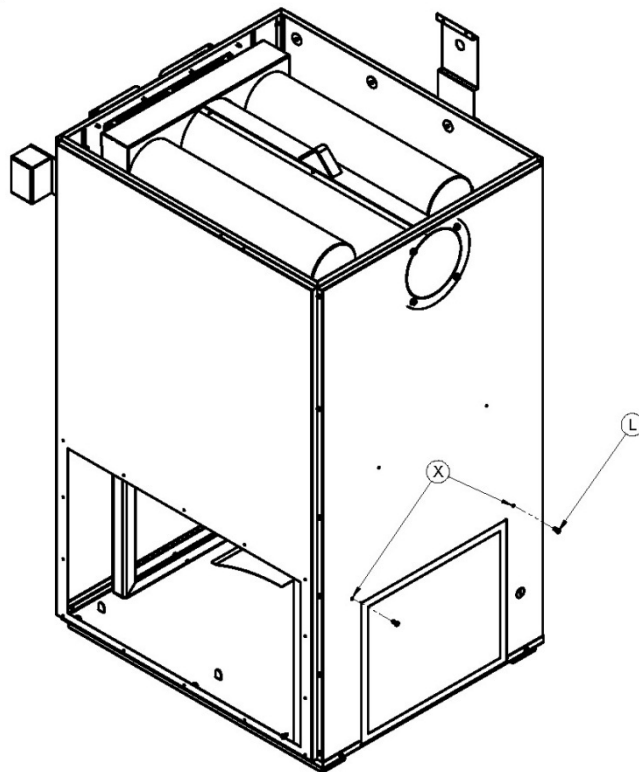


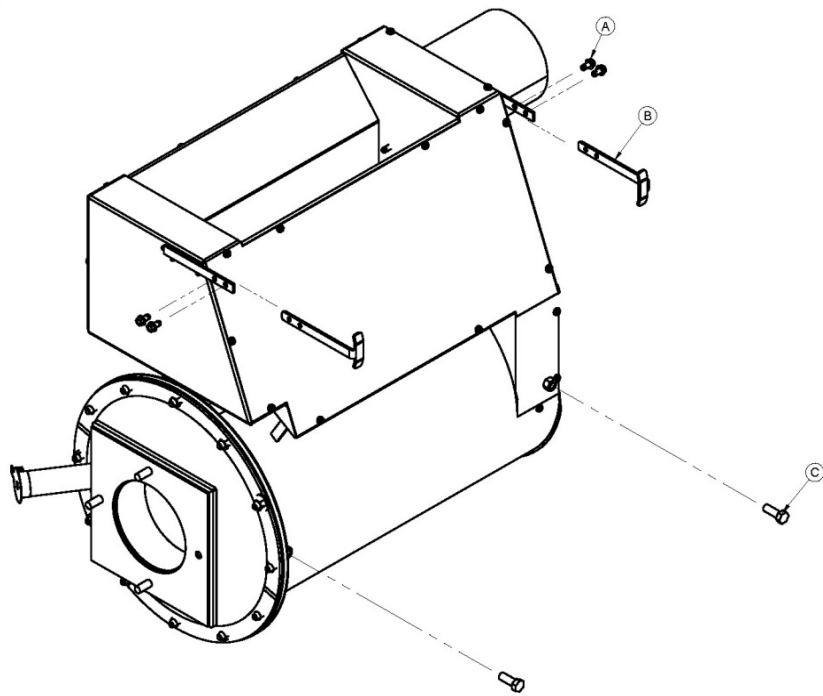
FIGURE 2

Step 5: Secure the back of the baffle from the back of the furnace using two screws (L), supplied in the kit, and in the holes provided for this purpose (X).

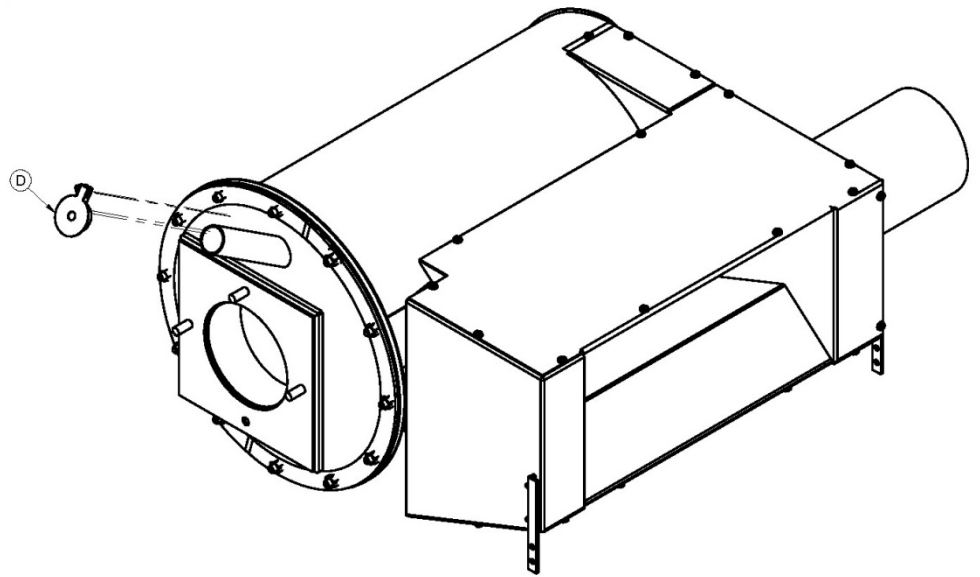


Step 6: Remove the screws (A) holding the two legs (B). Keep the screws and legs. They will be reinstalled later.

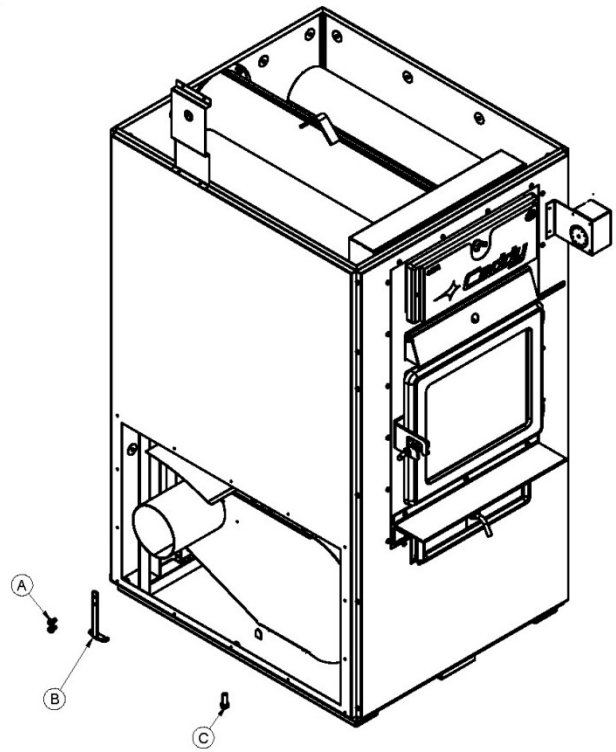
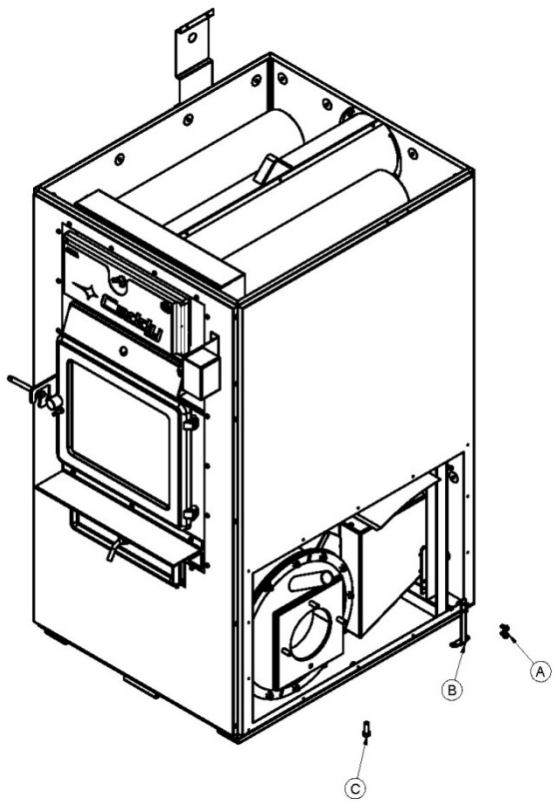
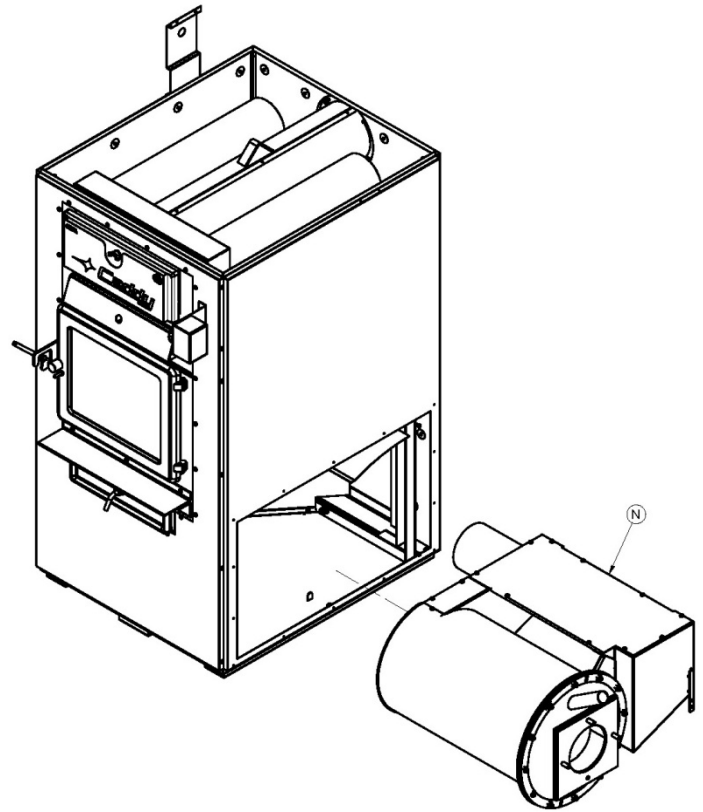
Remove the two elevator bolts (C) attached to the assembly and set aside. They will be reinstalled later.



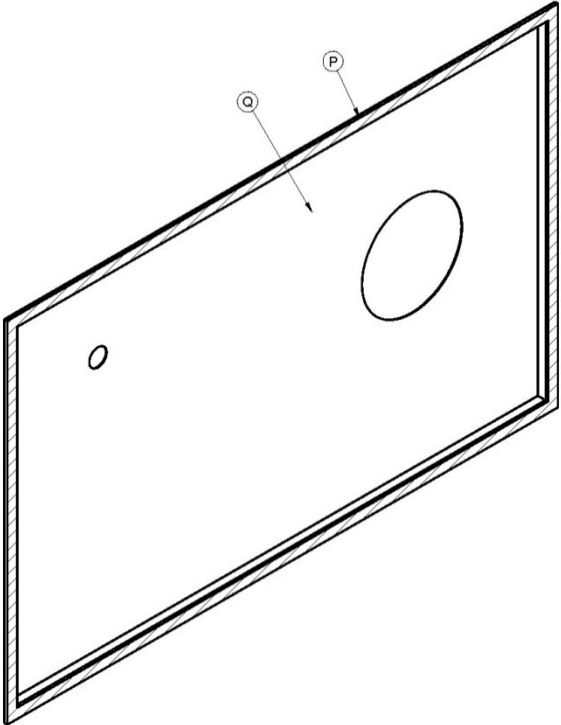
Step 7: Remove the cap (D) on the view tube by partially unscrewing the screw holding it. Set aside. It will be reinstalled later.



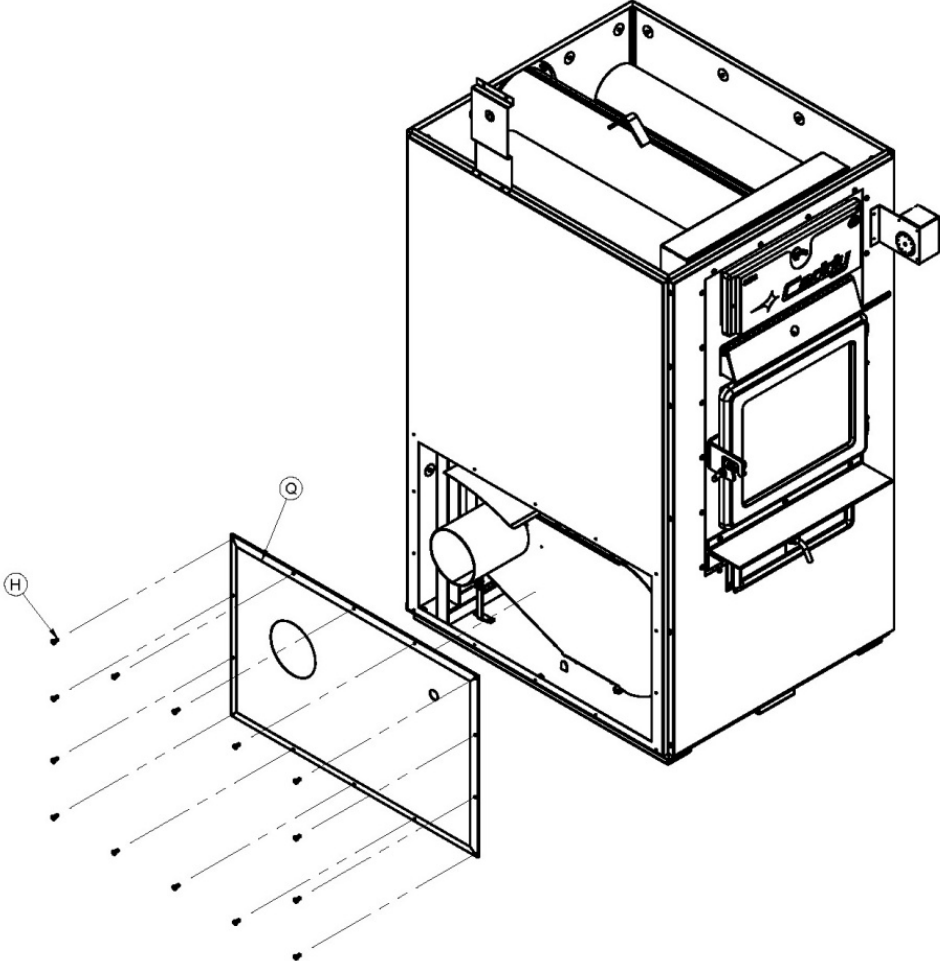
Step 8: Insert the oil unit (N) into the furnace. Reinstall the legs (B) and secure those on the unit with screws (A) previously removed in step 6. Finally, put back the elevator bolts (C) removed at that same step, so that the unit rests on the bottom of the furnace on the four support levelers (legs and elevator bolts).



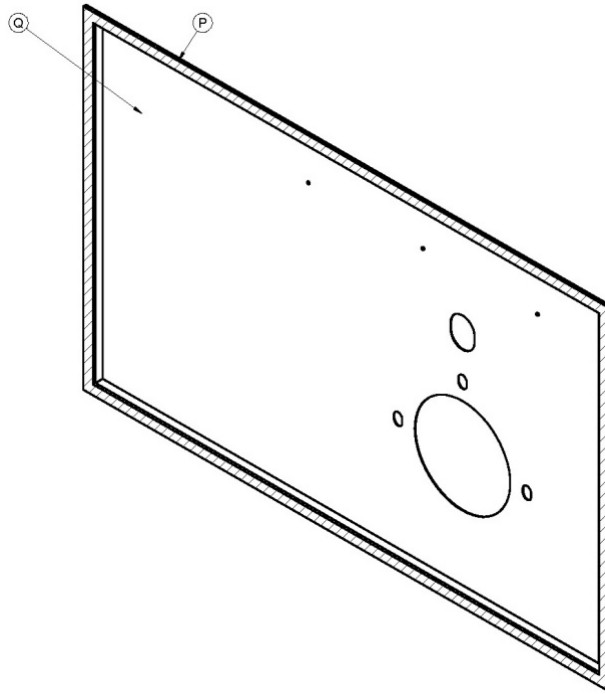
Step 9: Install the gasket (P) on the inside left panel (Q) supplied with the oil unit.



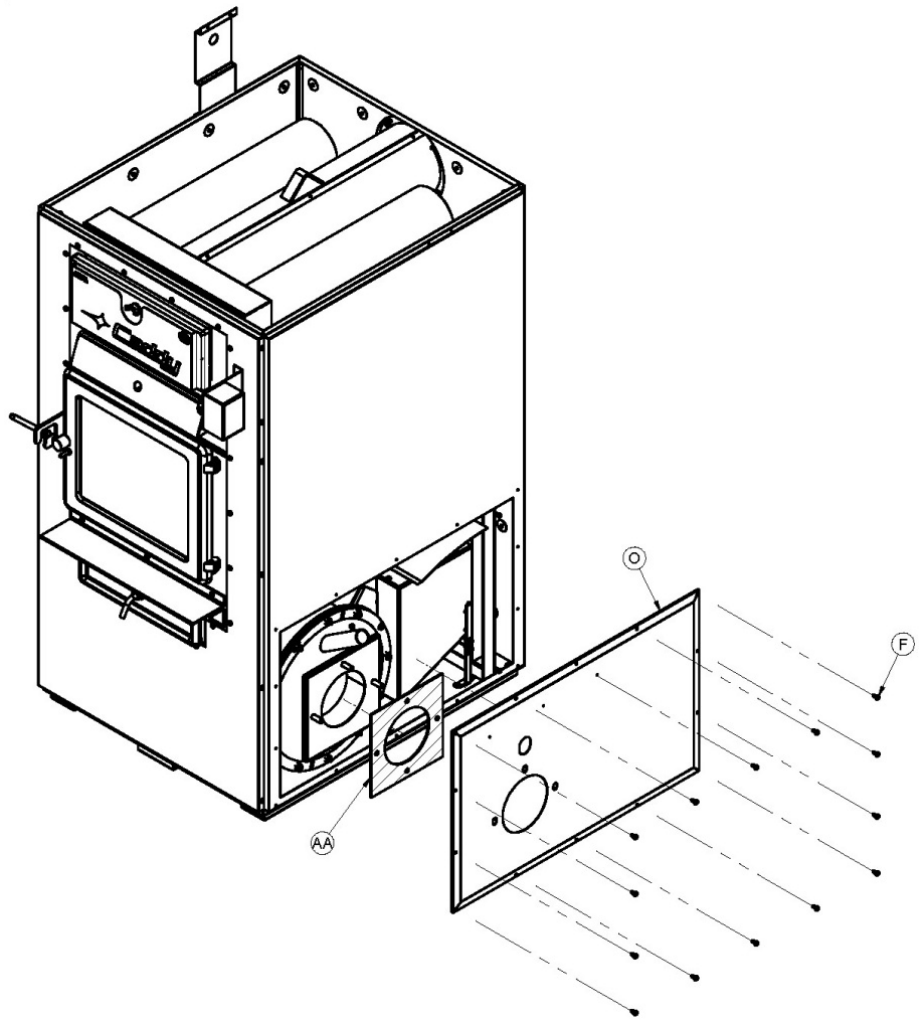
Step 10: Secure the left panel (Q) using screws (H) removed in step 2.



Step 11: Install the gasket (P) on the inside of the right panel (O) supplied with the oil unit.

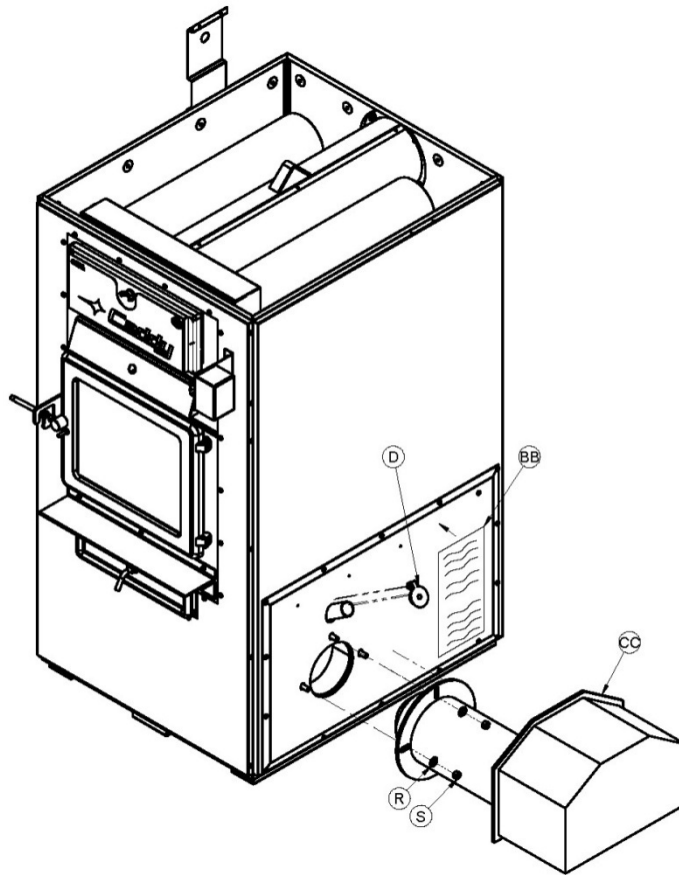


Step 12: Put the gasket (AA) on the oil burner. Install the right panel (O). Secure it with the screws (F) removed in step 1.



Step 13: Install the view tube cap (D) kept in step 7 and secure it with the screw in place. Secure the burner (CC) using the nuts (S) and washers (R) supplied with the oil unit, as shown.

It is important to stick the certification plate (BB) next to the burner.

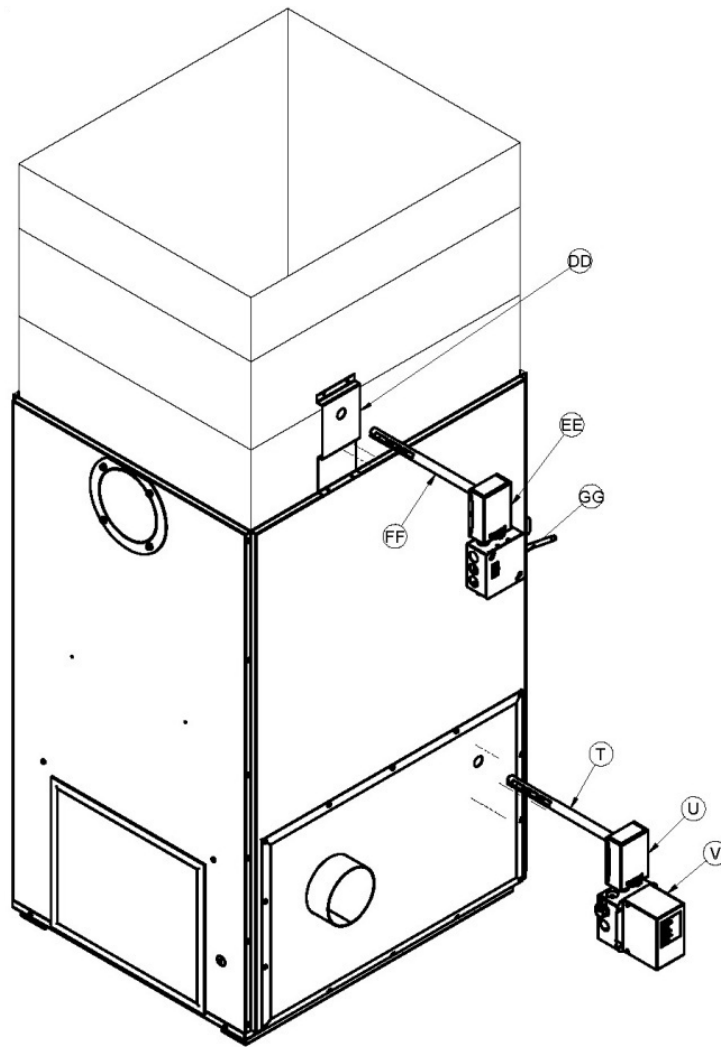


INSTALLATION OF THE FAN LIMIT CONTROLS FOR WOOD-OIL FURNACE

Step 14: Secure the wood fan limit control bracket (DD) provided with your furnace, on the top edge of the left or right side of the unit (*two holes on each side have already been drilled on the edges of the furnace*).

Remove the covers from the wood fan limit control assembly (EE, GG). Drill a hole in the plenum, across from the hole in the support bracket. Slide the fan limit control's probe (FF) in the opening on the support bracket and into the plenum. Secure the fan limit control (EE) on the support bracket with self-taping screws, not provided.

Remove the covers from the oil fan limit control assembly (U, V). Insert the probe (T) into the opening on the left panel of the furnace. Secure the oil fan limit control (U) with self tapping screws, not provided.



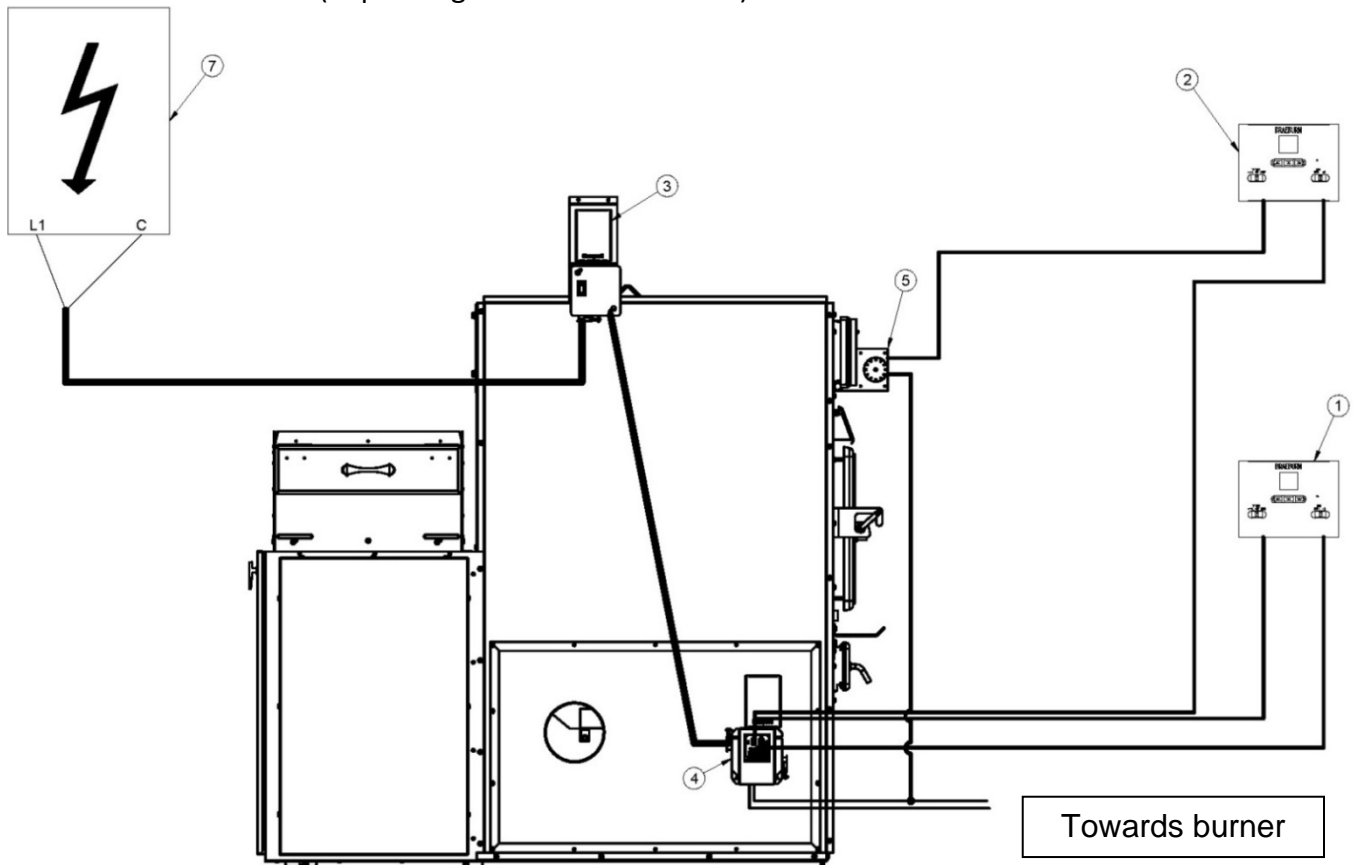
Once the wiring as per **Appendix 1** is performed, put the covers back on.

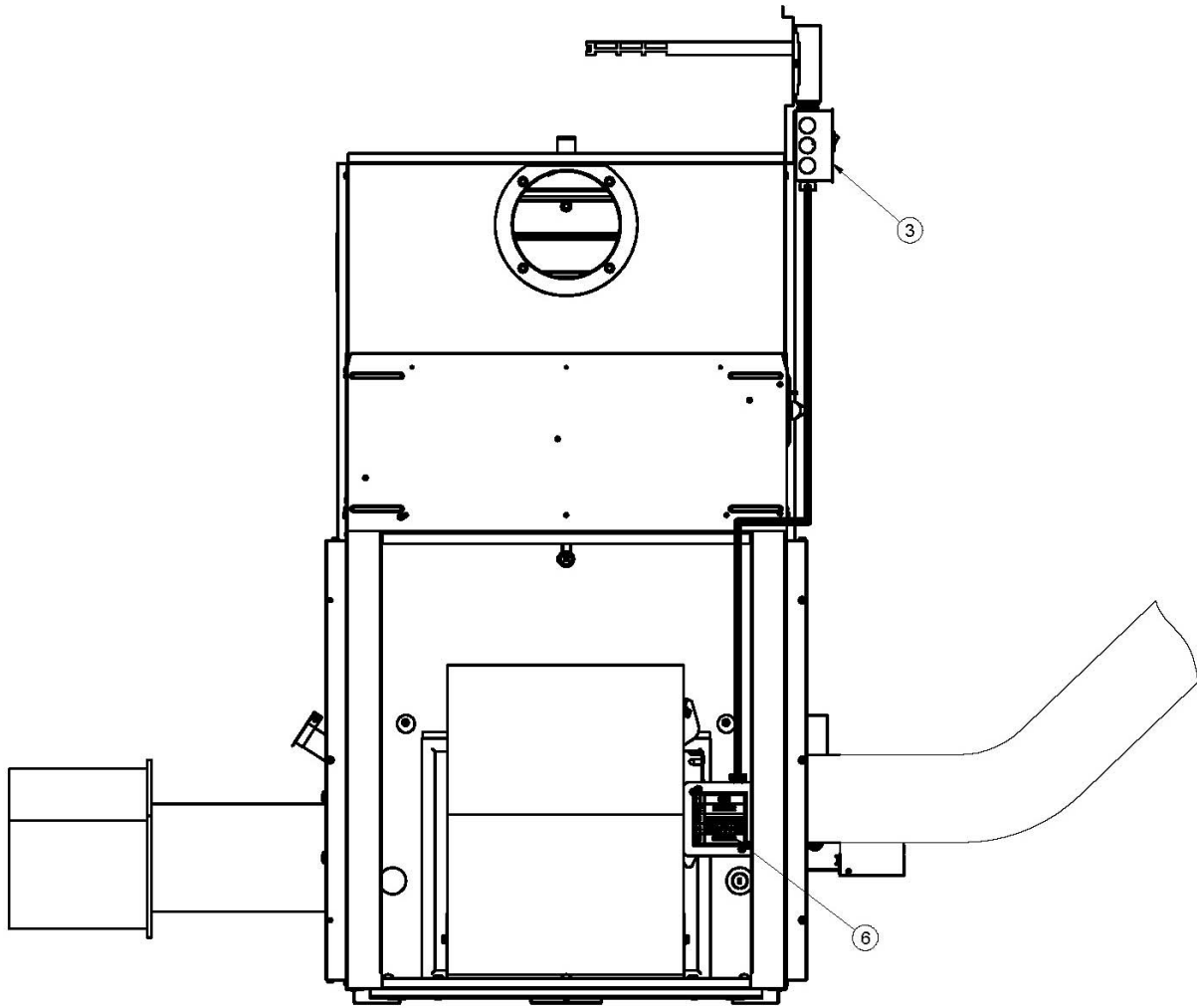
Appendix 1 - Connecting all elements of the Caddy furnace with the oil unit

Note: the cables listed in the following steps are not provided with fan limit assembly, except the one that feeds the blower and the one that feeds the burner.

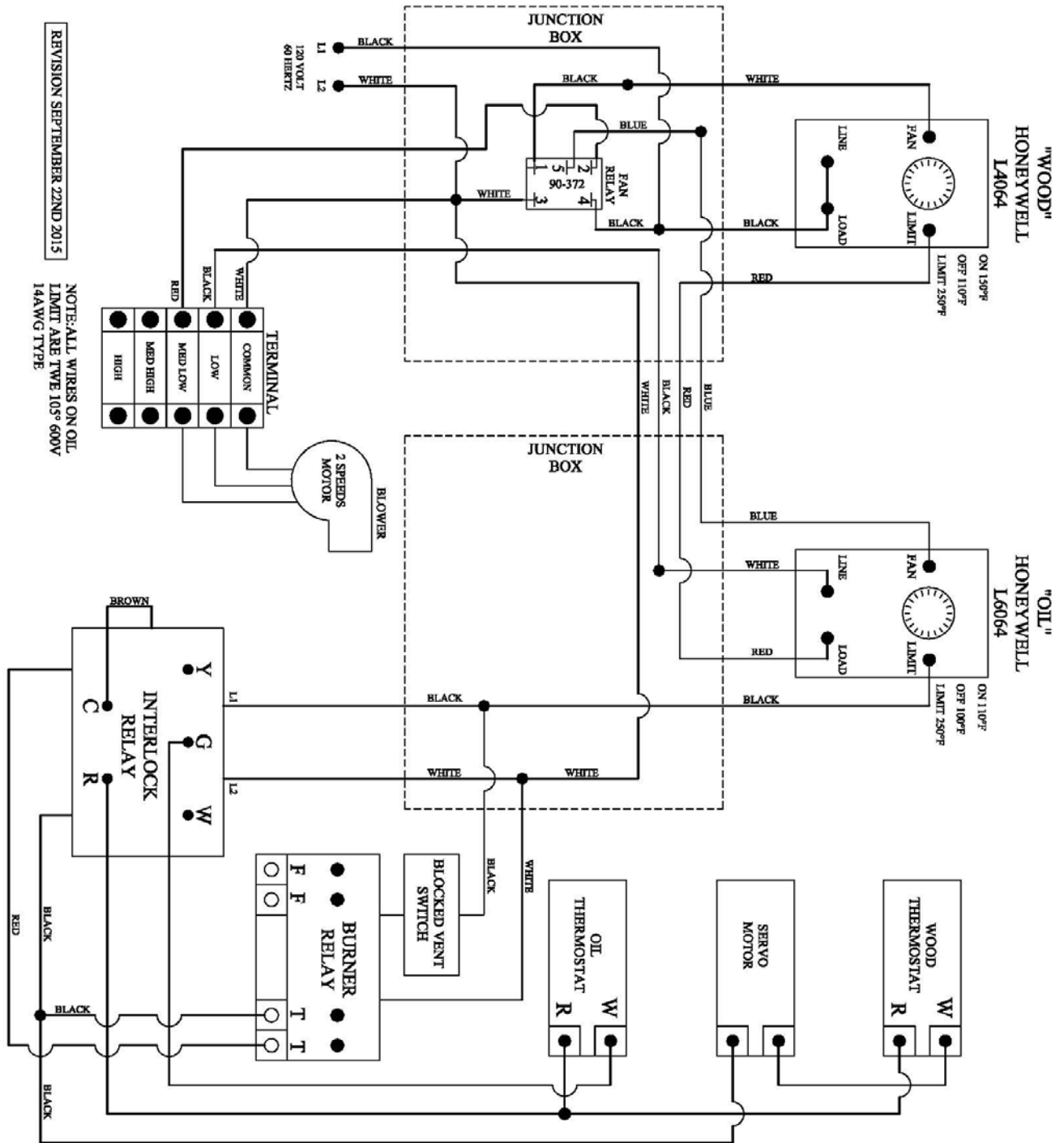
- Bring a 14-2 cable from the power supply control panel (7) to the wood fan limit control's junction box (3).
- Bring the cable from the wood fan limit control's junction box (3) (connected at the factory) to the blower (6). Pass the cable through the hole provided for this purpose on the top edge of the blower box assembly (see drawing on next page.)
- Bring the cable from the oil fan limit junction box (4) (connected at the factory) to the burner, on the other side of the furnace.
- Bring an 18-2 cable from the wood thermostat (2) to the interlock relay located on the oil fan limit (4).
- Bring an 18-2 cable from the servomotor (5) to the oil fan limit junction box (4).
- Bring an 18-2 cable from the oil thermostat (1) to the interlock relay located on the oil fan limit (4).
- Bring an 18-2 cable from the oil fan limit junction box (4) to the burner relay.
- For Beckett burner, make your connections as per **Appendix 2**.
- For Riello burner, you need to use the 51035 relay, included in the oil assembly kit. Make your connections as per **Appendix 3**.

* Note for installation: When connecting the blower, it is suggested to use the speed "LOW" and "MED LOW" or "LOW" and "MED HIGH" (depending on ventilation needs).





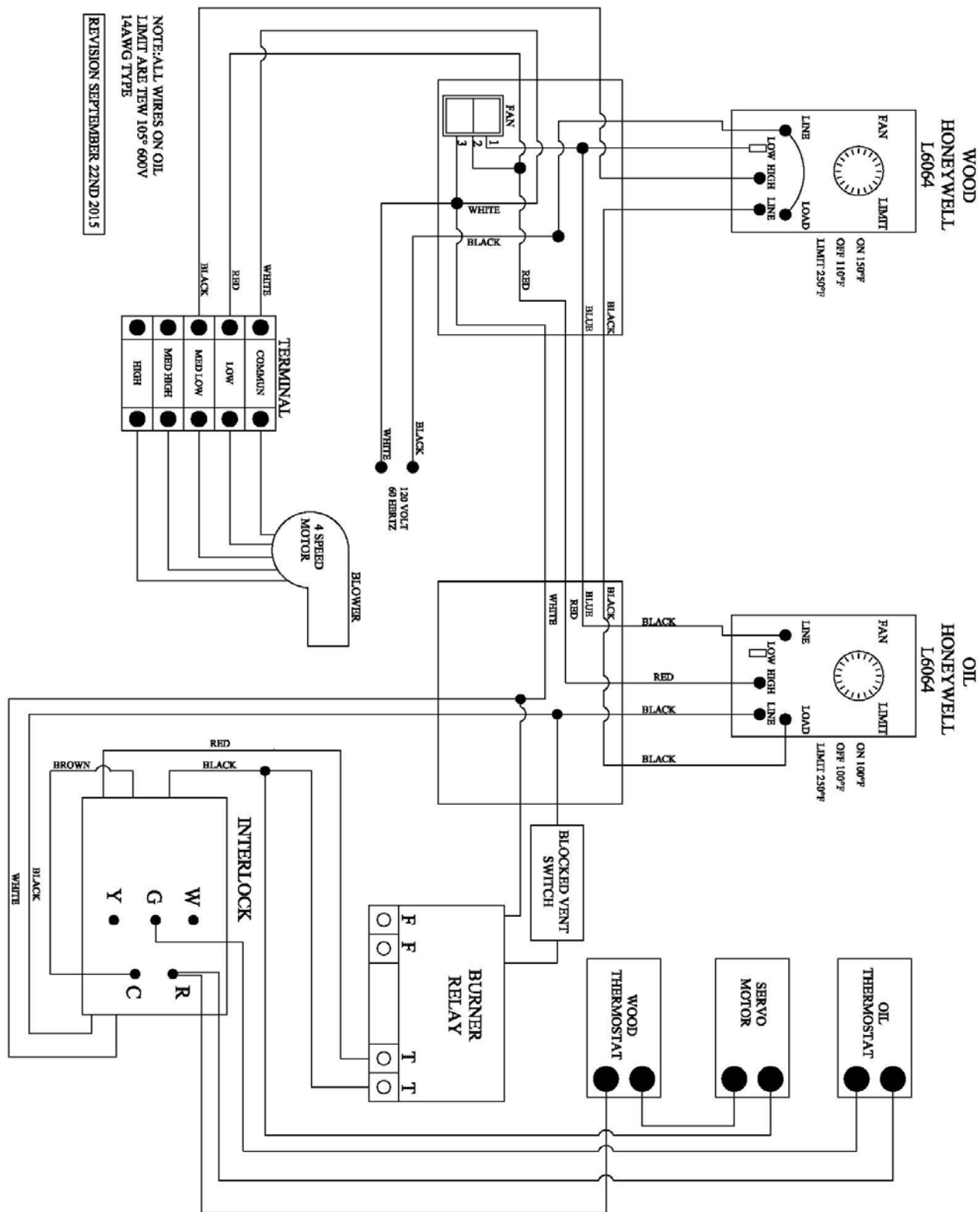
Appendix 2 - Wiring diagram for Beckett burner (fan limit L4064)



REVISION SEPTEMBER 22ND 2015

NOTE: ALL WIRES ON OIL LIMIT ARE TWE 105° 600V 14AWG TYPE

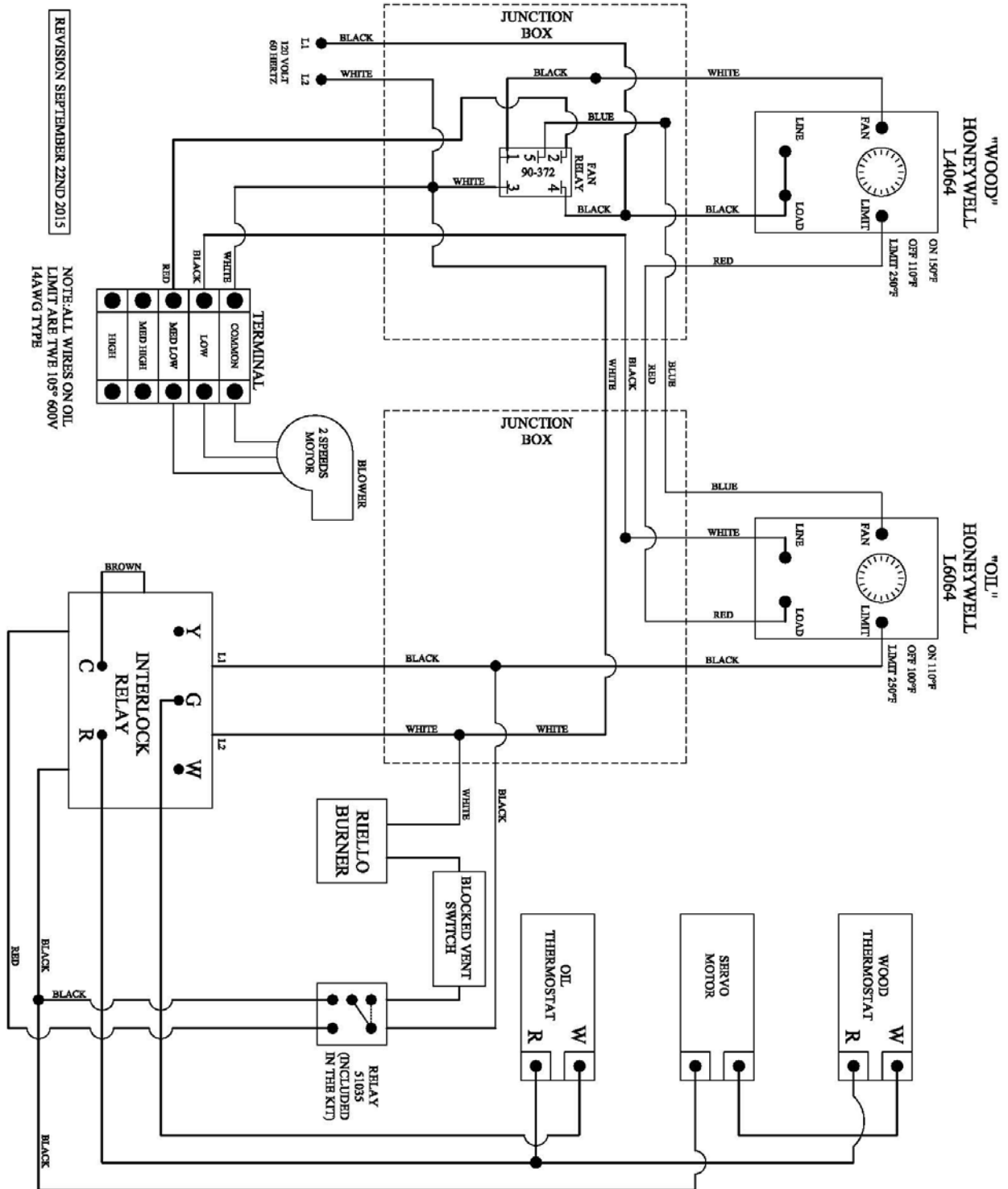
(fan limit L6064)



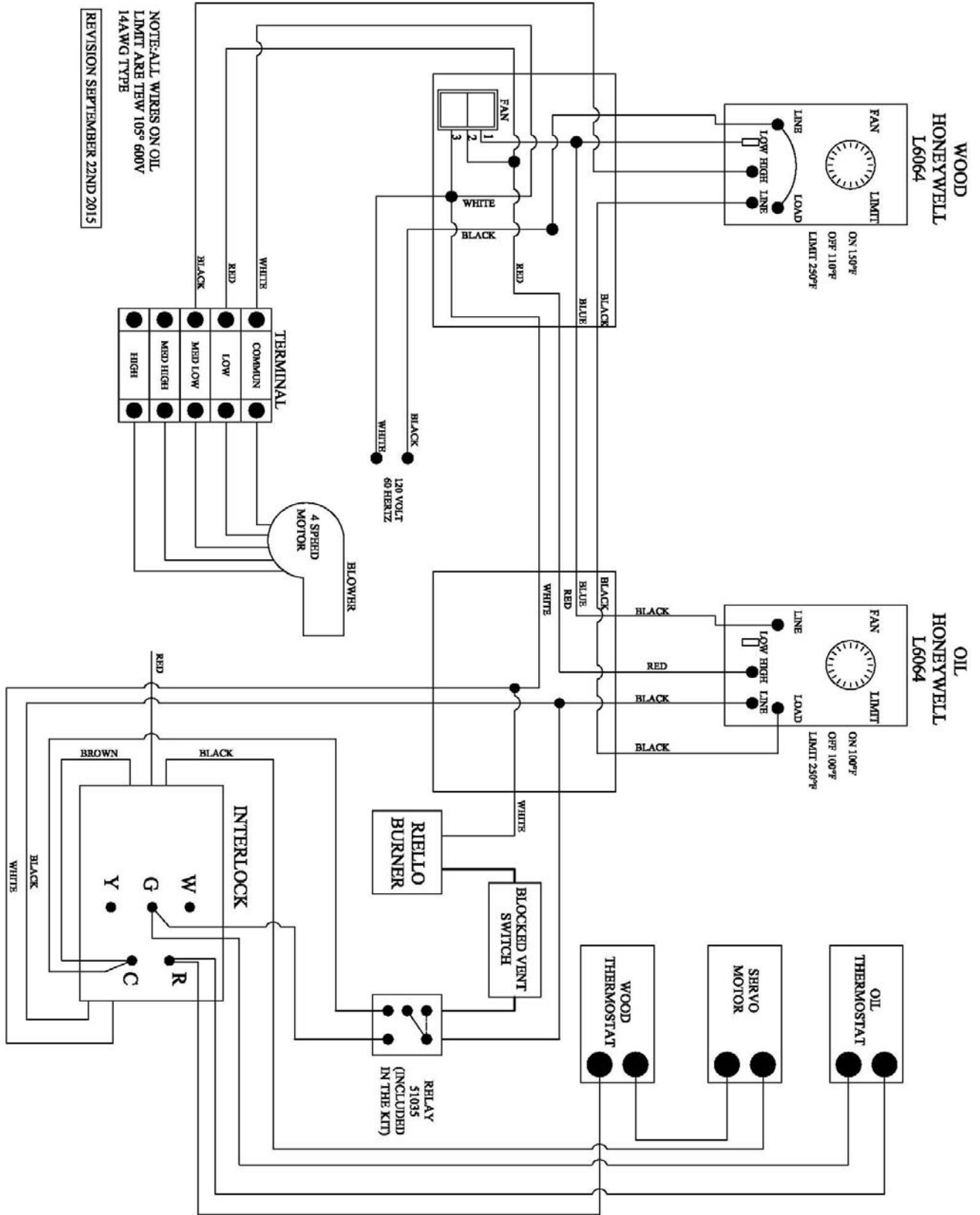
NOTE: ALL WIRES ON OIL
LIMIT ARE 110V 600V
14AWG TYPE

REVISION SEPTEMBER 22ND 2015

Appendix 3 - Wiring diagram for Riello burner (fan limit L4064)



(fan limit L6064)



PSG
250, de Copenhague,
Saint-Augustin-de-Desmaures (Quebec), Canada G3A 2H3
Tel: 418-878-3040
Fax: 418-878-3001