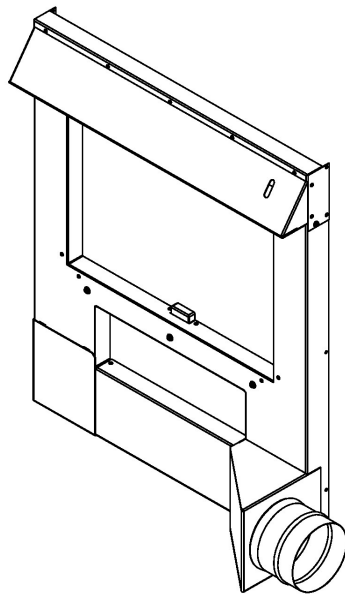




Eco-Energy
at the heart of your home

Installation instructions for fresh air intake adapter (PA08562) CADDY FURNACE (PF01000, PF01200 and PF01010)



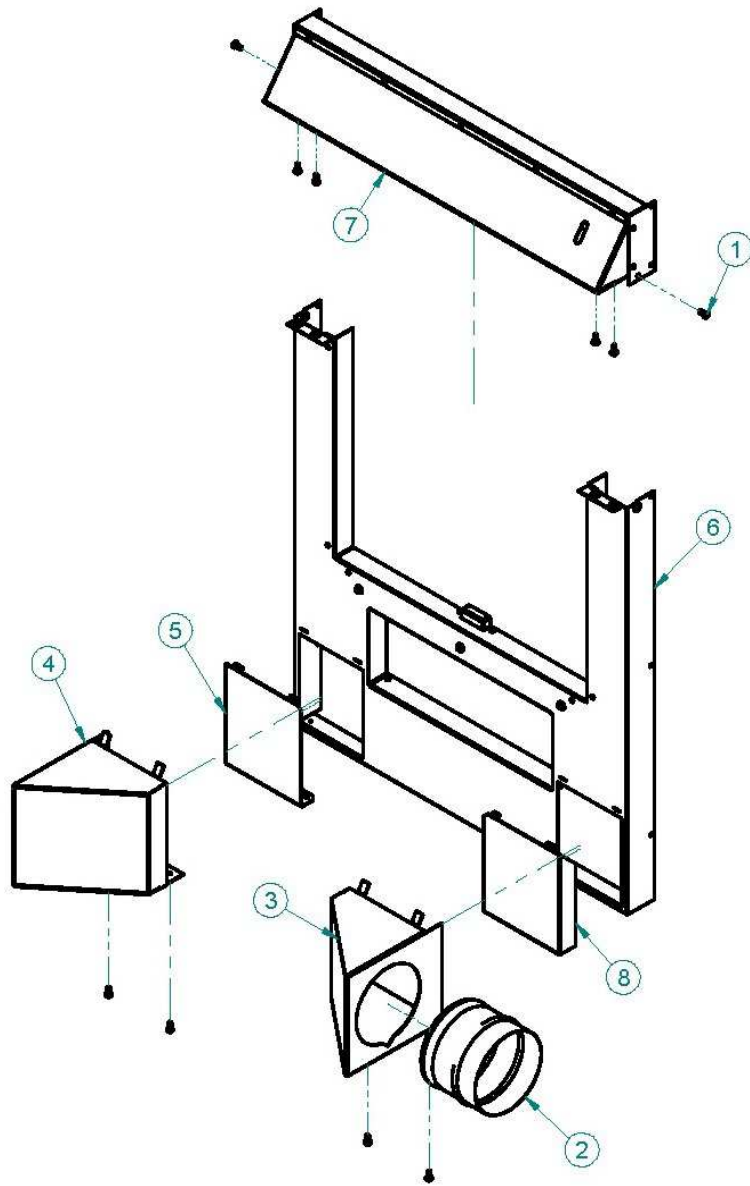
PSG
250, de Copenhague,
Saint-Augustin-de-Desmaures
(Quebec), Canada G3A 2H3
Tel: 418-878-3040
Fax: 418-878-3001

Read these instructions carefully before installing
and operating your furnace.

Please keep this document!



This manual is available for free download on the manufacturer's web site. It is a copyrighted document. Re-sale is strictly prohibited. The manufacturer may update this manual from time to time and cannot be responsible for problems, injuries, or damages arising out of the use of information contained in any manual obtained from unauthorized sources.



1	BLACK SCREW #10 X 5/8" ROBERTSON TYPE A	10x
2	FRESH AIR INTAKE ADAPTER 5"	1x
3	RIGHT FRESH AIR INTAKE ADAPTER BOX	1x
4	LEFT FRESH AIR INTAKE ADAPTER BOX	1x
5	LEFT FRESH AIR INTAKE ADAPTER LID	1x
6	LOWER PART OF THE FRESH AIR INTAKE ADAPTER	1x
7	UPPER PART OF THE FRESH AIR INTAKE ADAPTER	1x
8	RIGHT FRESH AIR INTAKE ADAPTER LID	1x
	METAL SCREW #8 X 1/2" PAN SQUARE TEK BLACK SELF-DRILLING (for PF1000 and PF1200)	4x

The fresh air intake adapter (PA08562) helps to supply a sufficient air supply to the unit in airtight houses or for houses needing to meet local standards. It can be installed on a new Caddy furnace where the blower is sold as an option (PF01010) or to an older version where the blower is integrated in the cabinet (PF01000 or PF01200).

Here are the two preliminary steps to install the fresh air intake adapter on an older version of the Caddy furnace model (PF01000 or PF01200).

Step A: If the servomotor is already installed on the front of the furnace, remove it. Then, raise the servomotor by 7/8" and secure it with two self-drilling screws included in the owner's manual kit. You may dispose of the old screws.

If the servomotor is not already installed on the furnace, locate the predrilled fixation holes and secure the servomotor 7/8" above them.

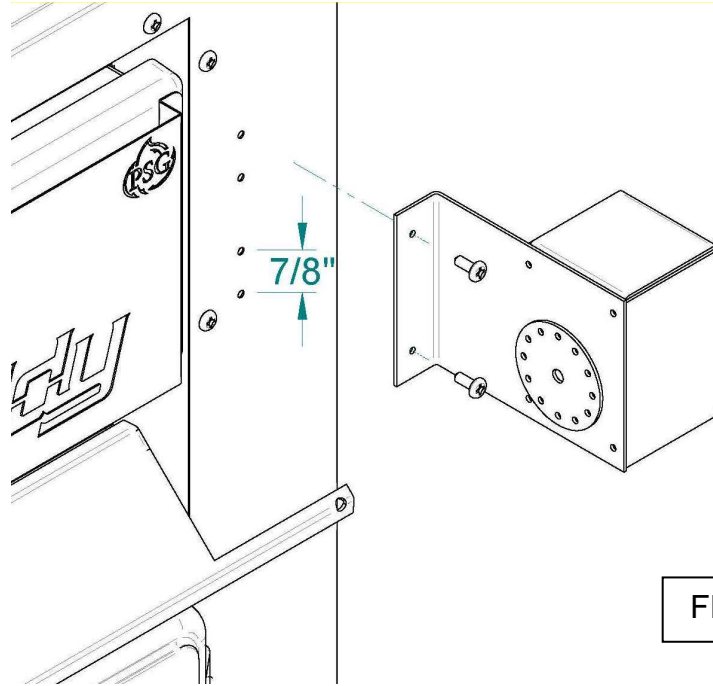
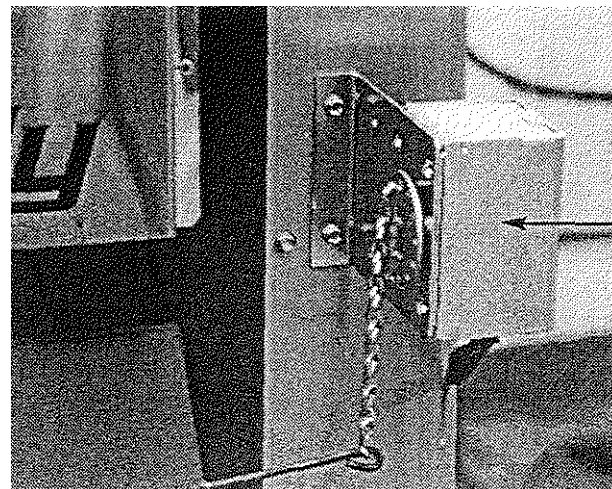


FIGURE A

Step B: Make adjustment of the air inlet damper. The chain that links the air inlet damper to the motor must have a play of 1/8". When there is no call for heat, the air inlet damper must be completely closed and the chain must be hooked to the servomotor at the "8 o'clock" position.



SERVOMOTOR

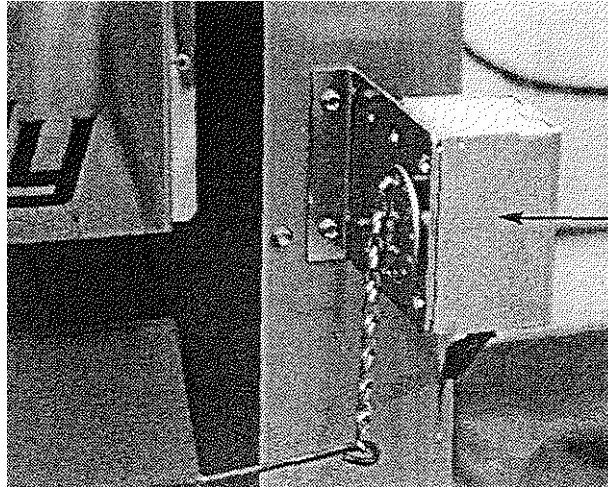
FIGURE B

Go to **step 2** of next section.

The installation of the fresh air intake adapter may be done with an intake on the right hand side or on the left hand side of your Caddy furnace.

*For installation with an intake on the right hand side, follow steps 1 to 13.
For installation with an intake on the left hand side, at **steps 9 and 10**, take the symmetric parts and reverse the installation.*

Step 1: Install the servomotor on the furnace's front upper right side of the door (use the pre-drilled holes). The chain that links the air inlet damper to the motor must have a play of 1/8". When there is no call for heat, the air inlet damper must be completely closed and the chain must be hooked to the servomotor at the "8 o'clock" position.



SERVOMOTOR

FIGURE 1

Step 2: If the ash shelf (A) is not installed, proceed to step 2. If it is installed, remove it by unscrewing the 3 screws (B) securing it in place. Once it is removed, screw the 3 screws in the same holes and keep the ash shelf.

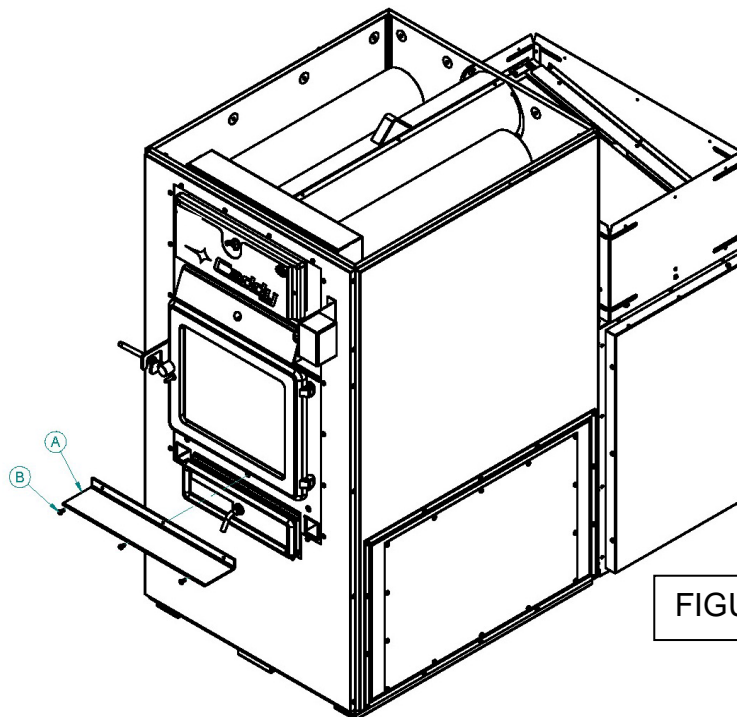


FIGURE 2

Step 3: Unscrew the eight (PF01010) or six (PF01000 or FP01200) screws (c), depending on the furnace version, as shown on figure 3. Keep the screws.

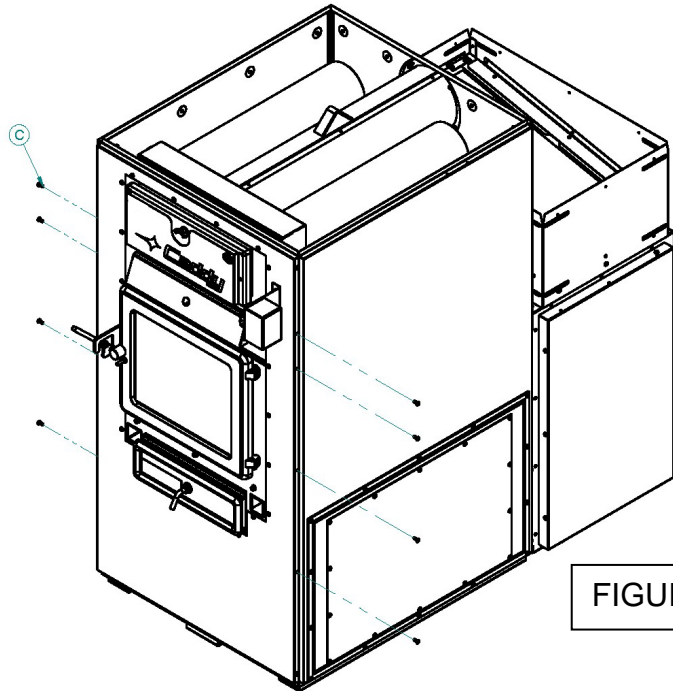


FIGURE 3

Step 4: Open the door to a 90° angle.

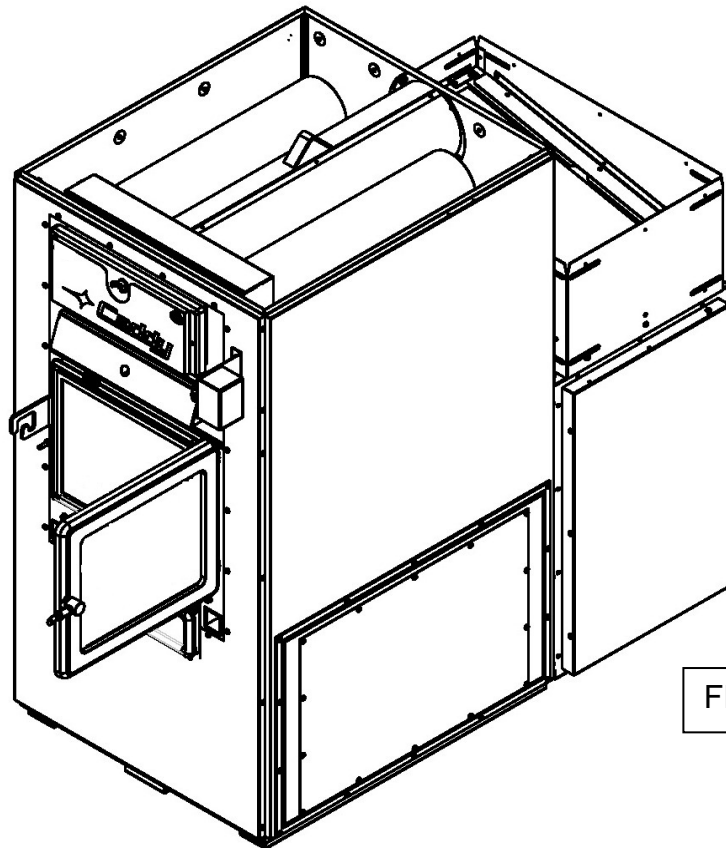


FIGURE 4

Step 5: Install the lower part of the fresh air intake adapter (D) using the four screws (C) from step 3. Screw them in the same holes as in step 3. Do not screw them completely because an adjustment will be necessary in the following steps.

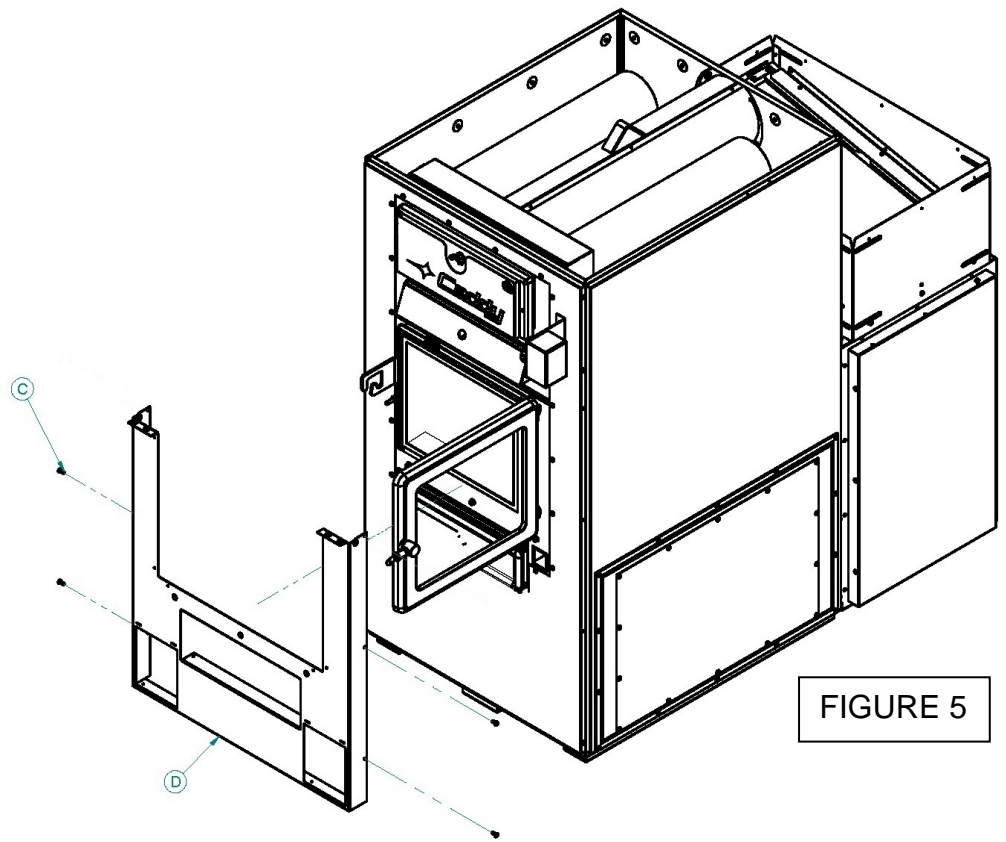


FIGURE 5

Step 6: Close the door.

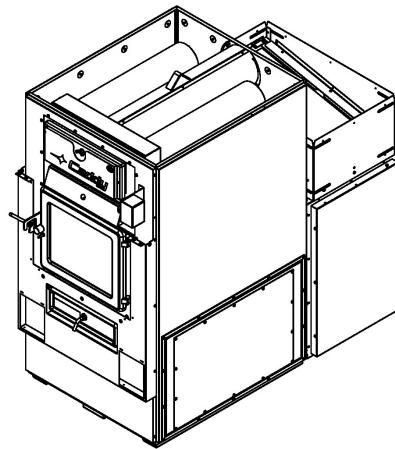
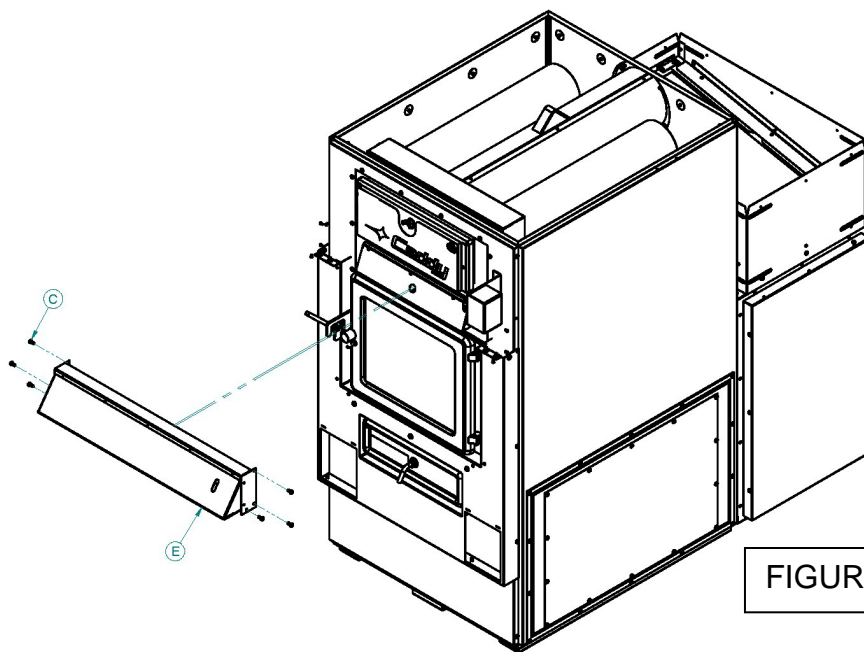


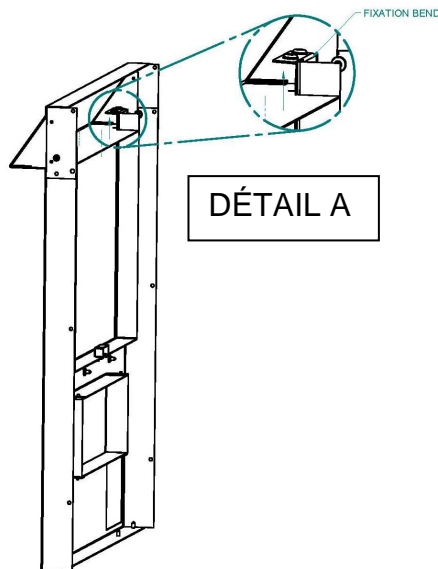
FIGURE 6

Step 7: Remove the chain attached to the servomotor. Then, pass the chain through the opening located at the right of the upper part of the fresh air intake adapter (E). Make sure that the fixation bend of the lower part of the fresh air intake adapter is into the upper part of the fresh air intake adapter (see detail A). Then, for the Caddy PF01010, secure the upper part (E) of the fresh air intake adapter onto the right and left sides of the furnace using the four screws (C) kept from step 3 and two provided with this kit.



For PF01000 and PF01200 version, use the two screws kept from step 3, two screws (black screws #10 X 5/8" Robertson type A) provided in the Owner's manual kit and two screws (black self drilling metal screw #8 X 1/2") (C), also provided.

Do not secure completely because adjustments will be necessary in the following steps. Re-attach the chain to the servomotor.



Step 8: Perform the necessary adjustments on the upper and lower part of the fresh air intake adapter. Secure the lower part to the upper part of the fresh air intake adapter using the 4 screws (G) supplied. The fresh air intake adapter is well adjusted when the door opens easily and when the chain moves freely. When it is well adjusted, secure the assembly in place by screwing completely the screws installed at steps 5 and 7.

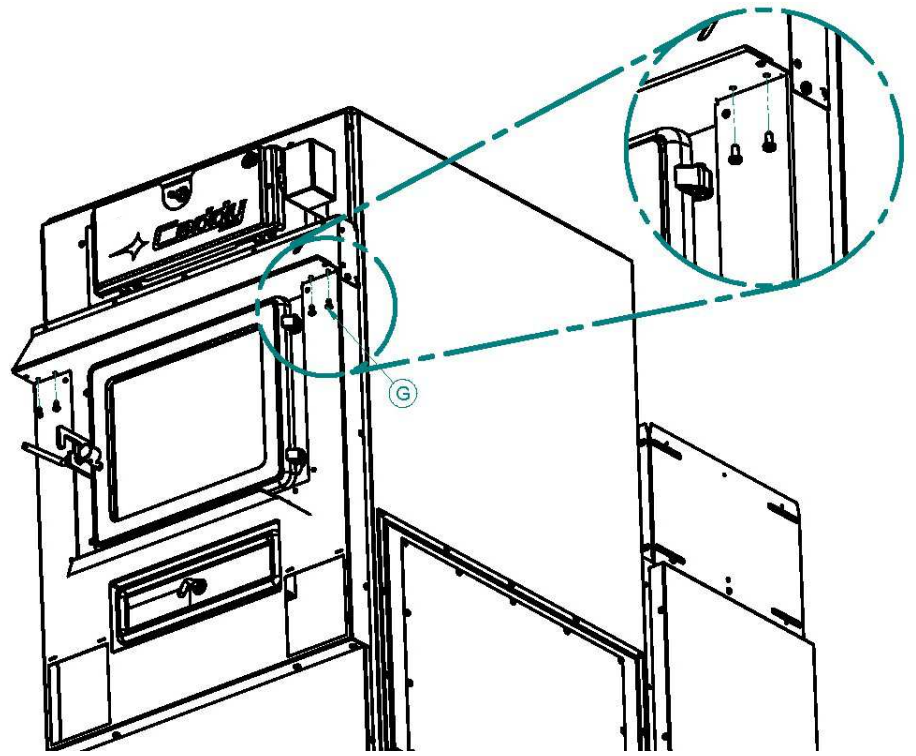


FIGURE 8

Installation of the fresh air intake on the right hand side of the Caddy furnace

*Note: For installation with an intake on the left hand side, at **steps 9 and 10**, take the symmetric parts and reverse the installation.*

Step 9: Install the right fresh air intake adapter box (I) to the lower part of the fresh air intake adapter. In order to do so, insert the legs of the right fresh air intake adapter box into the notches of the lower part of the fresh air intake adapter. Then, install the fresh air intake adapter lid (H) to the lower part of the fresh air intake adapter. Insert the legs of the lid into the notches of the lower part of the fresh air intake adapter.

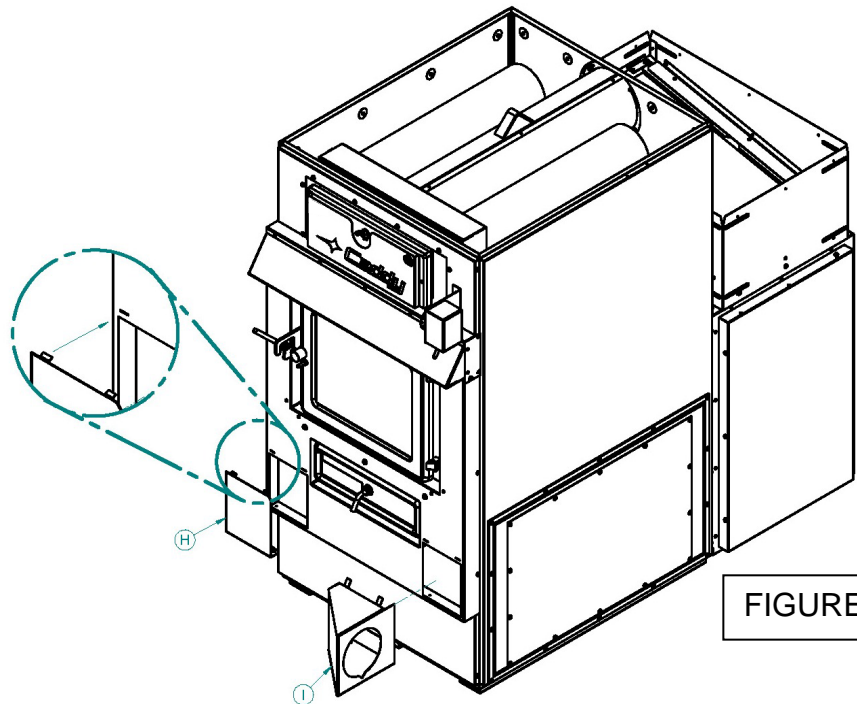


FIGURE 9

Step 10: Secure the lid of the fresh air intake adapter (H) and the right fresh air intake adapter box (I) to the lower part of the fresh air intake adapter using two supplied screws (G) each, as shown on figure 10.

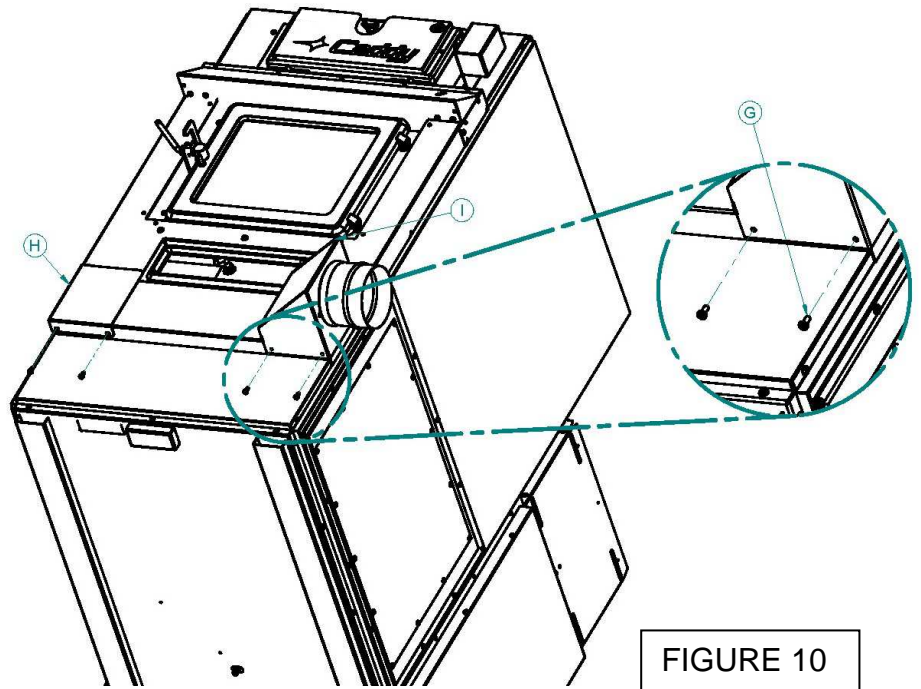


FIGURE 10

Step 11: Cut a « V » shape notch using sheet metal scissors, as shown on figure 10. Use pliers to bend a part of the lip of the adapter towards the exterior, as shown by the arrow on figure 11.

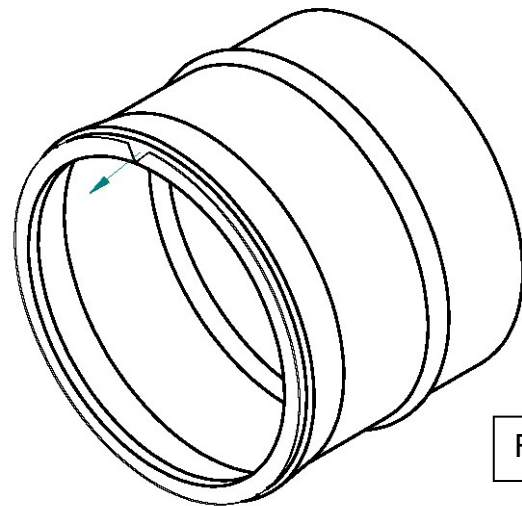


FIGURE 11

Step 12: Screw the fresh air intake adapter (J) to the fresh air intake FRESH AIR INTAKE ADAPTERadapter box. It is important to align the « V » shape notch of the adapter with the notch of the fresh air intake adapter box.

If you have difficulties when attaching the round adapter, you must open the lip all around to facilitate the installation.

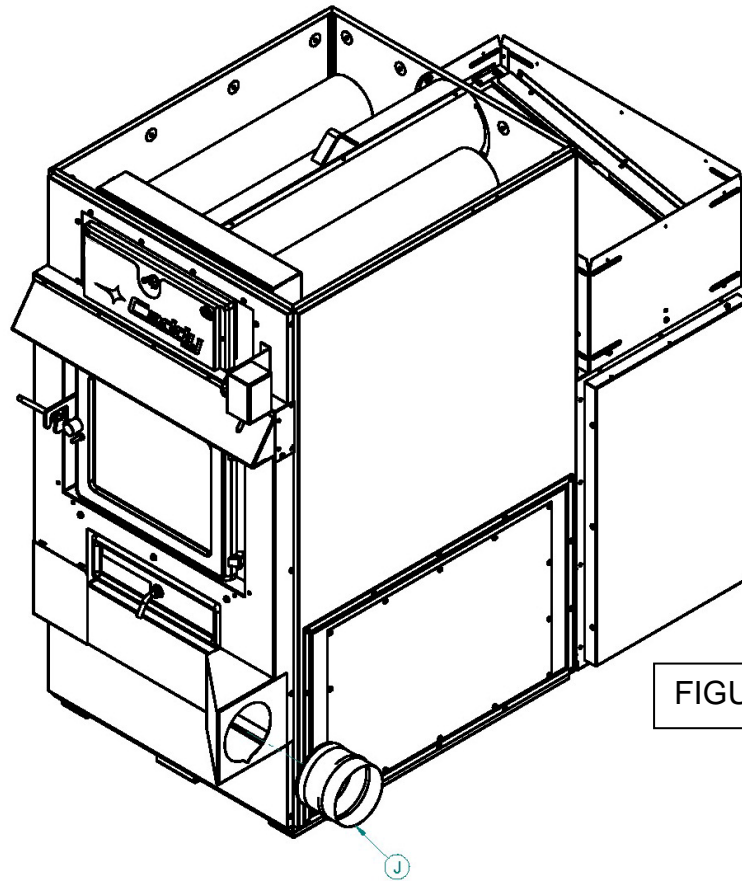


FIGURE 12

Step 13: Secure the ash shelf (A) removed on step 2, to the fresh air intake adapter using the 3 screws (B) supplied, as shown on figure 13.

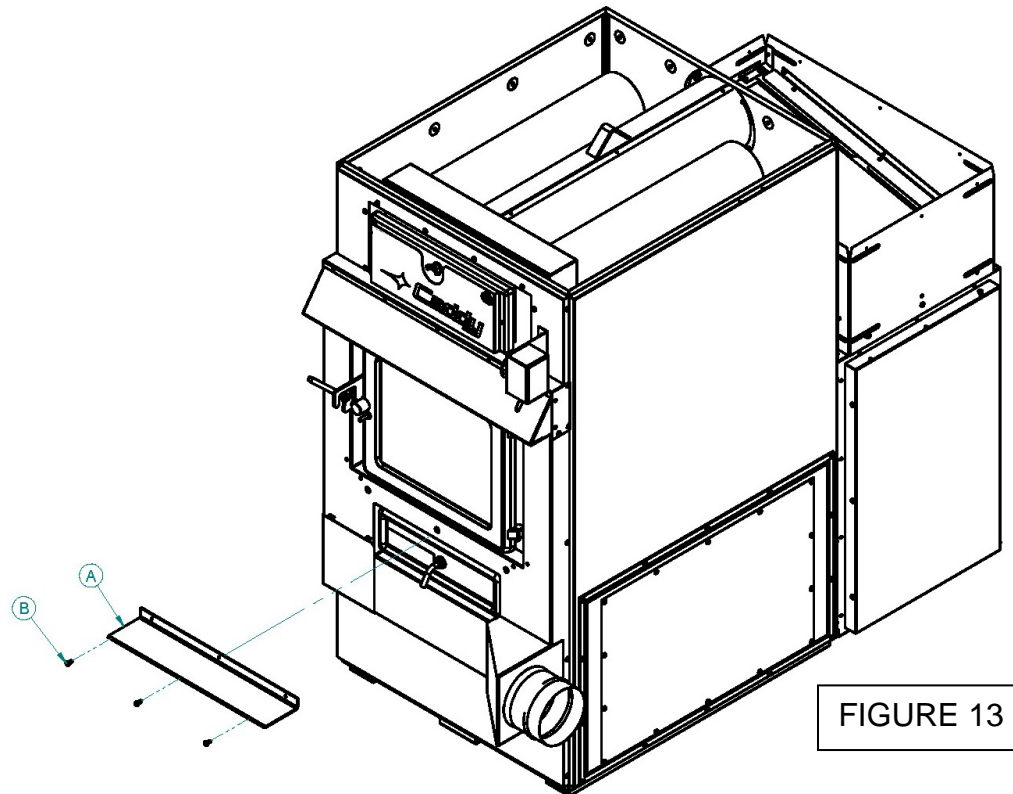


FIGURE 13