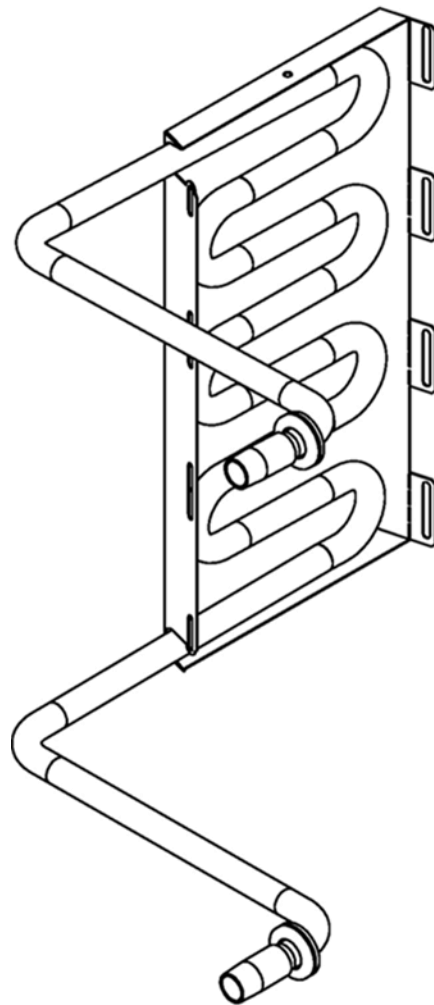




# PA08590

## INSTALLATION INSTRUCTIONS OF THE OPTIONAL HOT WATER LOOP KIT FOR PRE-HEATING DOMESTIC WATER

### CADDY ALTERNA & CADDY ALTERNA II FURNACE



*This manual is available for free download on the manufacturer's web site. It is a copyrighted document. Re-sale is strictly prohibited. The manufacturer may update this manual from time to time and cannot be responsible for problems, injuries, or damages arising out of the use of information contained in any manual obtained from unauthorized sources.*

The installation of the hot water loop kit for pre-heating domestic water can be done to the right or left side of your Caddy Alterna furnace.

**It is important to point out that this option requires a 60 gallon buffer tank (not included).**

**Step 1:** The first step consists of removing the front and side panels from the furnace. To do so, use the retractable handles located on each of the panels as illustrated in **Figure 1**.

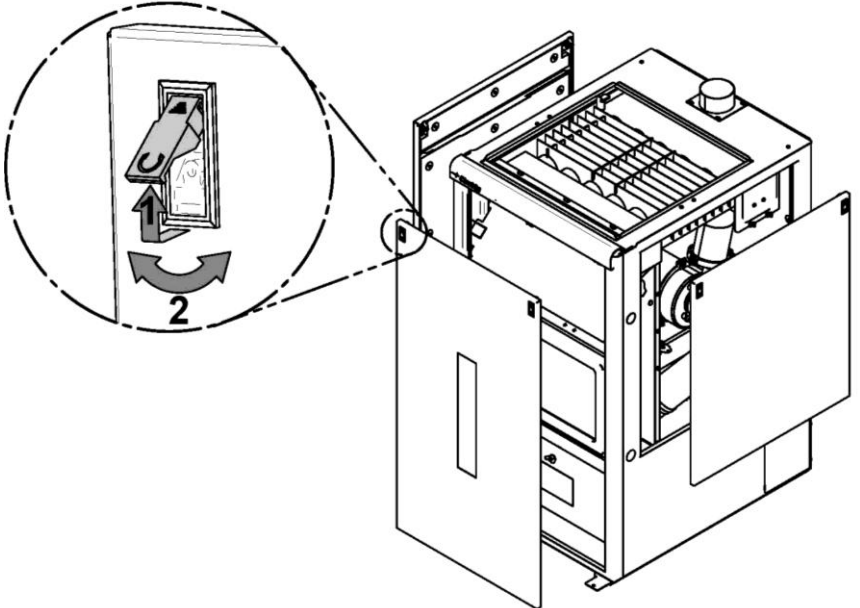


Figure 1

**Step 2:** Unscrew the 8 screws (A) (4 per side) that are located vertically on the exterior of the combustion chamber. Keep those screws.

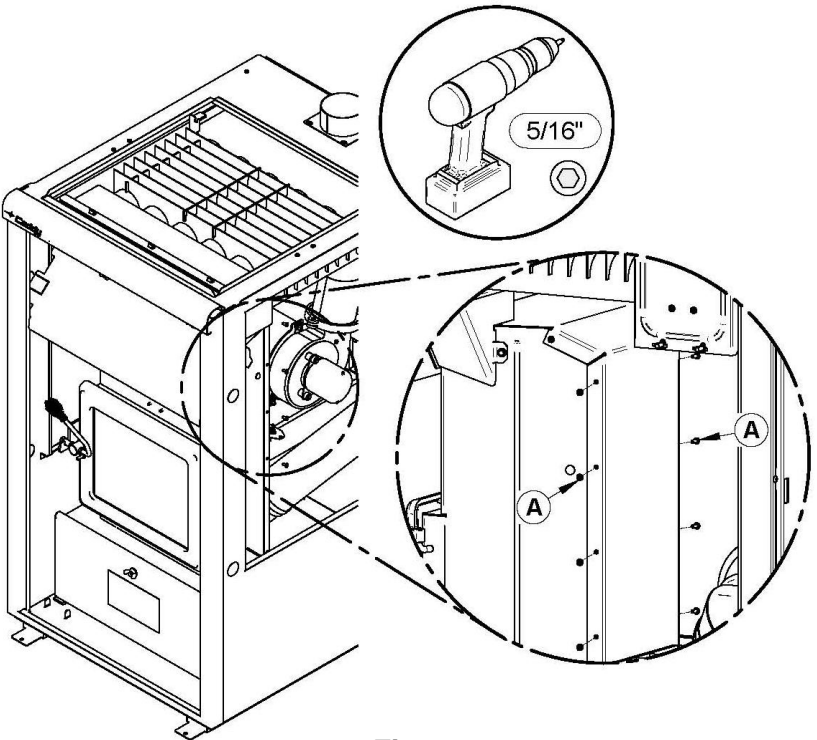
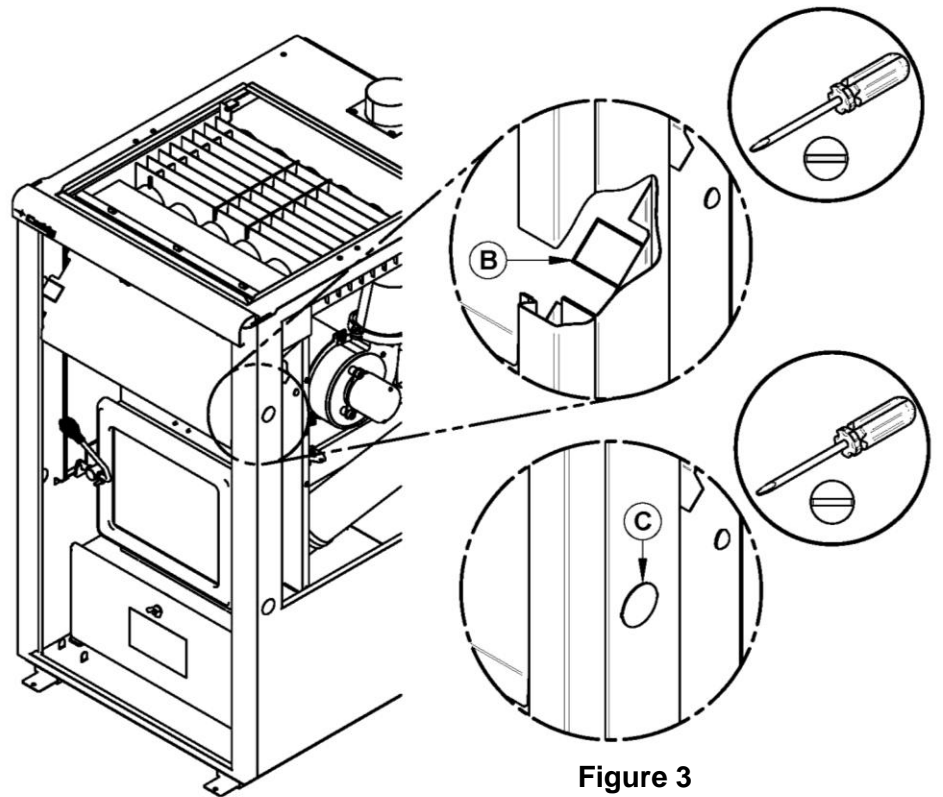


Figure 2

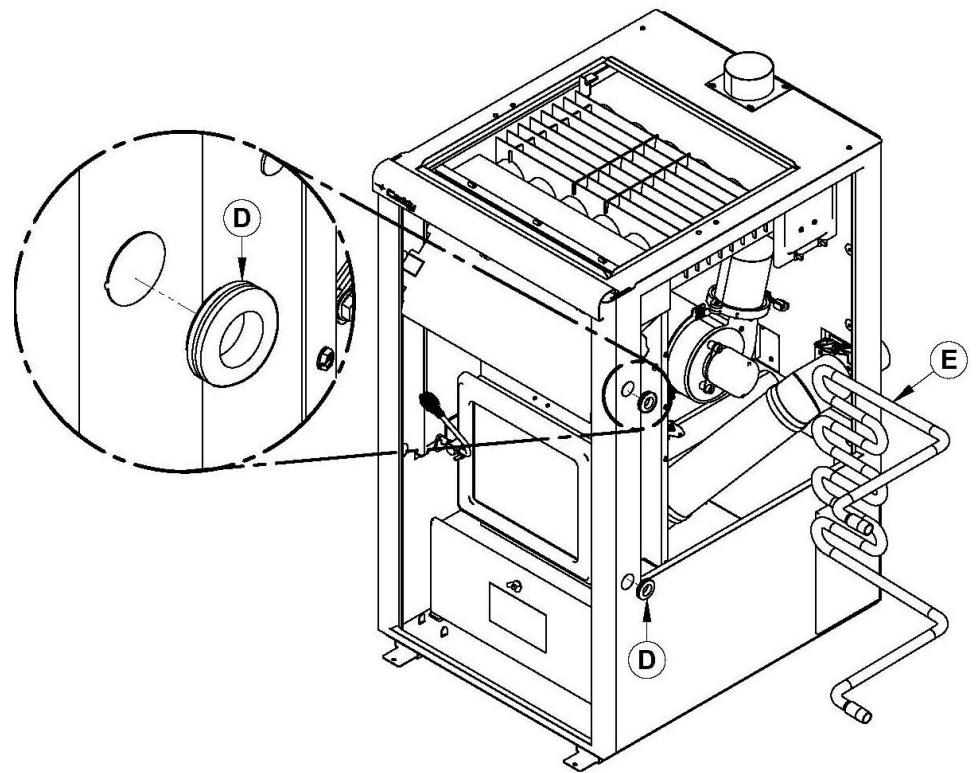
**Step 3:** If you are installing this option on the right side of your furnace, remove the detachable knock-outs **(B)** and **(C)** with the help of a screwdriver as shown on **Figure 3**. Install the grommets\* where the knock-outs were.

If you are installing this option on the left side of the furnace, with the help of a screwdriver remove the detachable knock-outs equivalent to **(B)** and **(C)**, on the left side, as shown on **Figure 4**.

\*You may cut the grommets with scissors to install them.

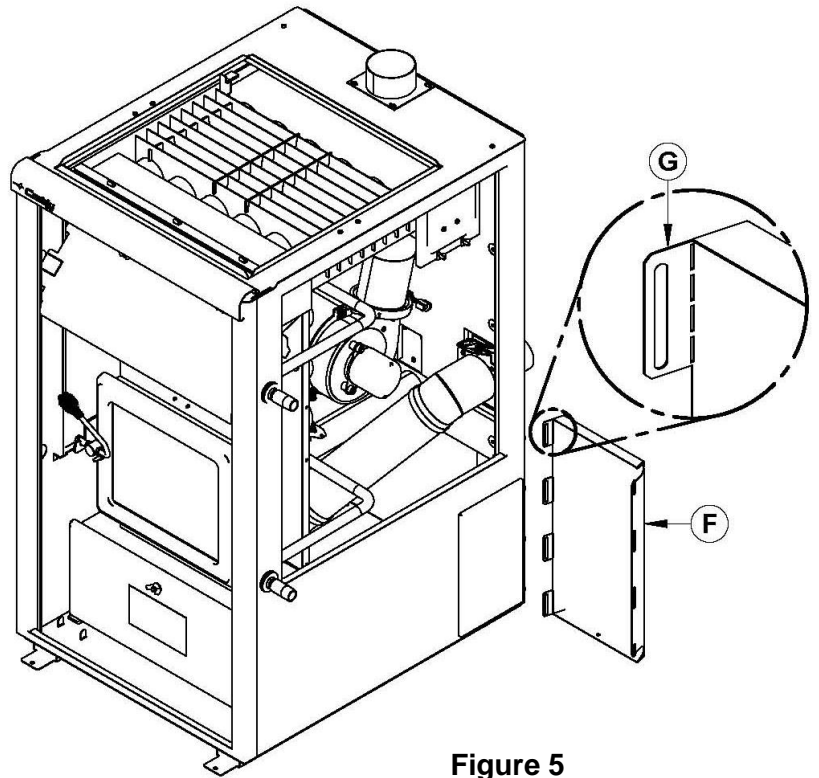


**Figure 3**



**Figure 4**

**Step 4:** Place the hot water loop into the interior of the furnace, behind the combustion chamber. When inserting, be careful not to undo the wiring connections (cut the tie-wrap if needed). It is important to position the extremities of the hot water loop through the holes created in **Step 3** (where the knock-outs were detached). The higher end of the solenoid assembly needs to pass through the two holes **(B)** and **(C)** (see **Figure 3**).

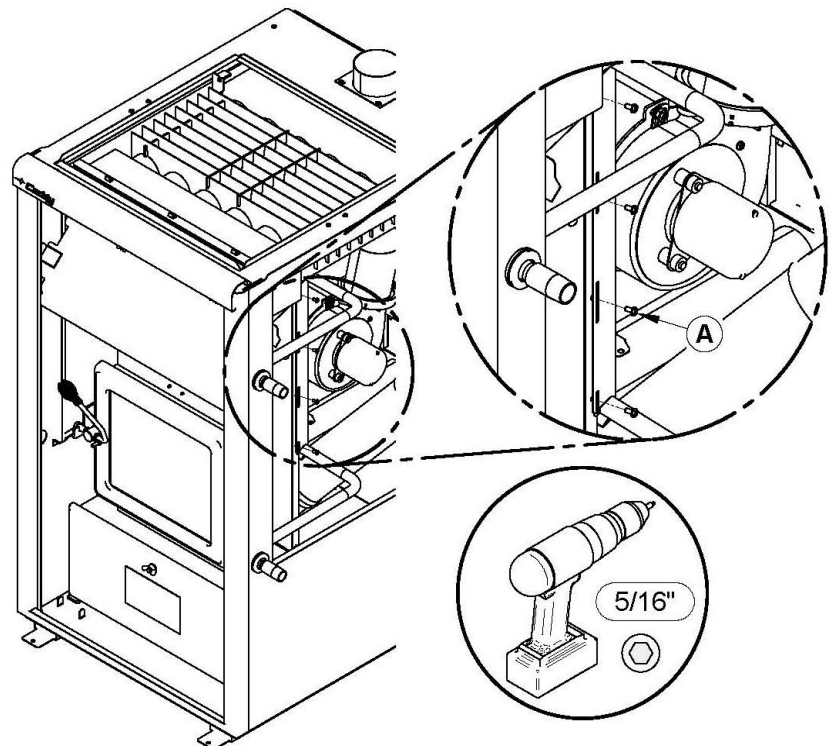


**Figure 5**

**Step 5:** Once the hot water loop is installed, insert the sheet metal cover **(F)** behind the water coil assembly.

Once the cover has been well positioned, screw it in place. The screws should go through the slots located on the cover side. Use the 4 screws **(A)**, kept from **Step 2** as shown on **Figure 6**.

Then, secure the other side of the cover by aligning holes of the fixation legs **(G)** with combustion chamber holes. Use the other 4 screws **(A)** kept in **Step 2** as shown on **Figure 7**.



**Figure 6**

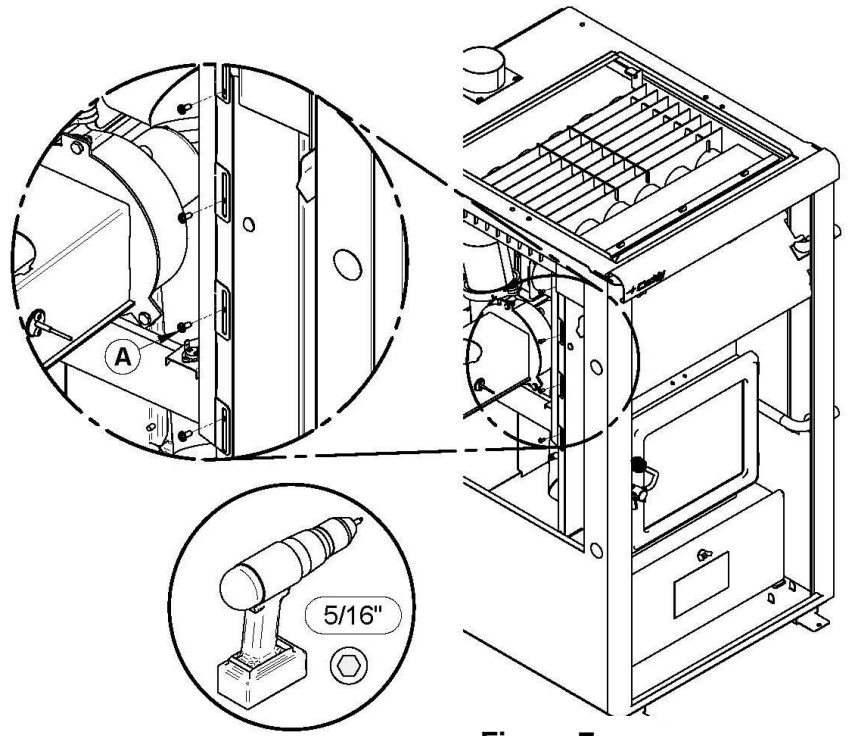


Figure 7

**Step 6:** The last step consists of replacing the side and front panels of the furnace. To do so, use the retractable handles located on each panel as shown on **Figure 8**.

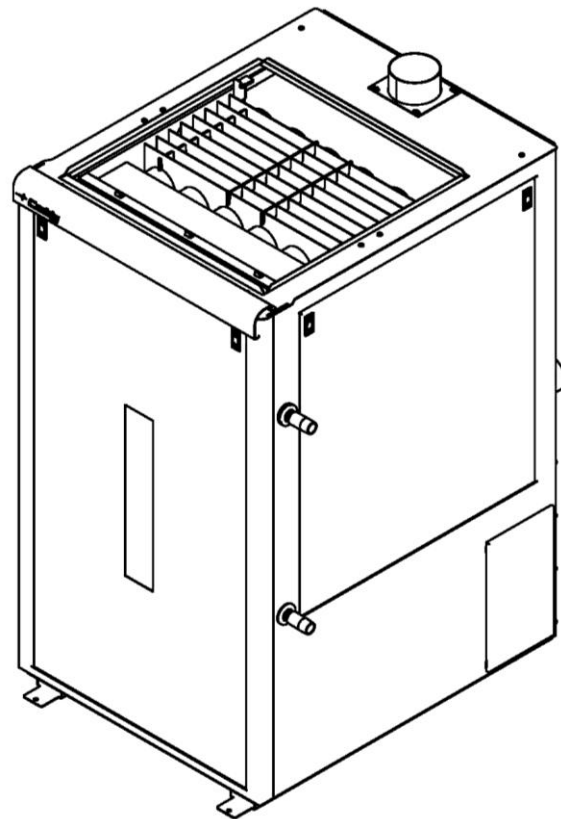


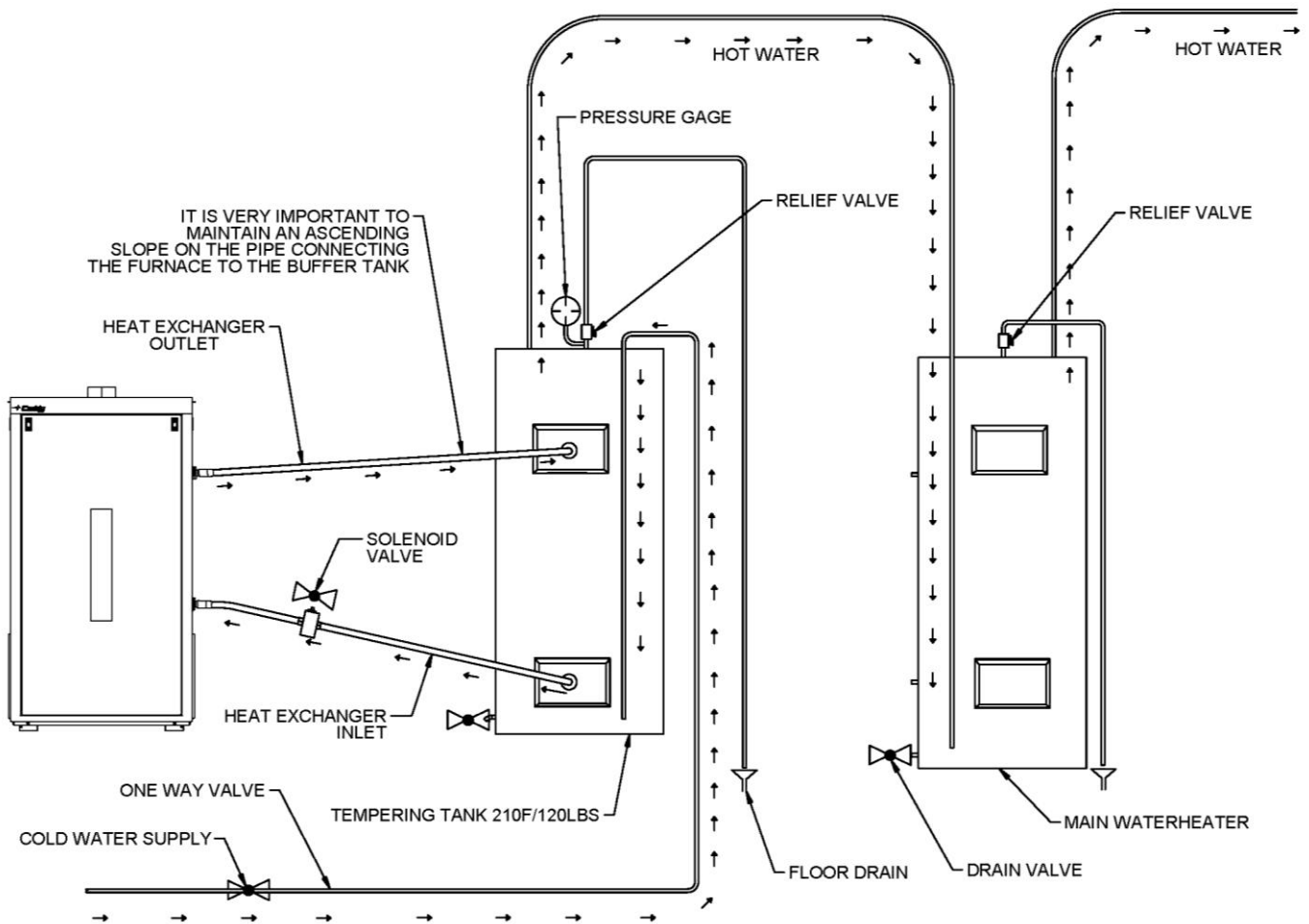
Figure 8

**WARNING**

TO AVOID RISK OF DAMAGE IN CASE OF WATER OVERHEATING, YOU MUST USE COPPER PIPES TO MAKE THE CONNECTIONS BETWEEN THE TEMPERING TANK AND THE HOT WATER LOOP KIT FOR PRE-HEATING DOMESTIC WATER, FOR BOTH THE INPUT AND OUTPUT OF THE HOT WATER LOOP KIT.

**CONNECTION DIAGRAM FOR THE OPTIONAL HOT WATER LOOP KIT**

IT IS VERY IMPORTANT TO MAINTAIN AN ASCENDING SLOPE ON THE PIPE CONNECTING THE FURNACE TO THE BUFFER TANK. THE BUFFER TANK USED MUST HAVE A CAPACITY OF 60 GALLONS.



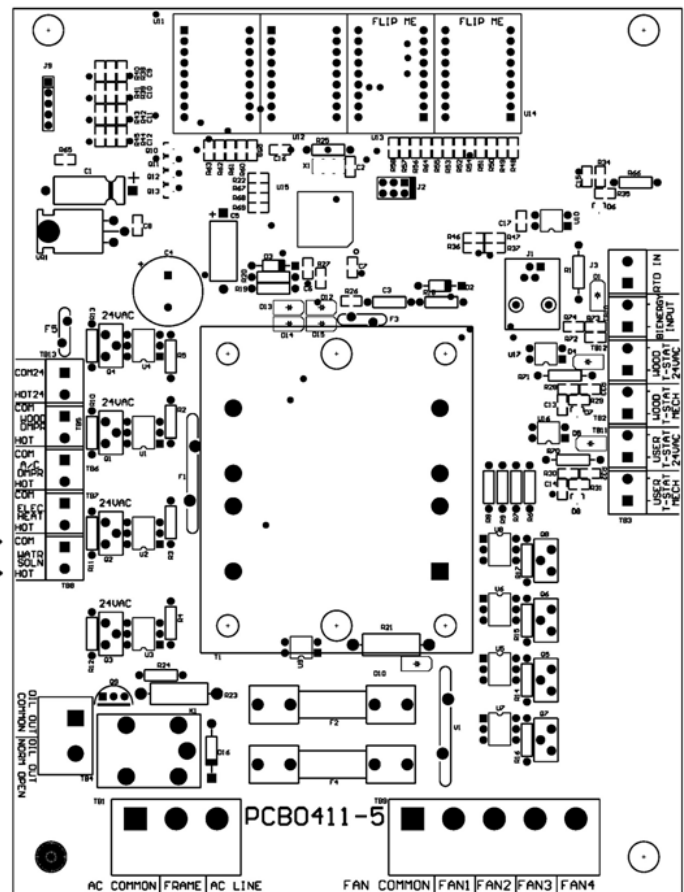
# WIRING FOR ALTERNA (SERIAL NUMBER 994 OR LESS)

## CONNECTION DIAGRAM OF THE SOLENOID VALVE FOR THE OPTIONAL HOT WATER LOOP KIT FOR

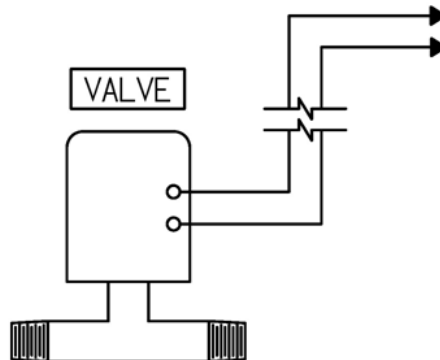
The last step is the connection of the solenoid valve to the PC board of the Caddy Alterna furnace. In order to do so, all you need to do is connect the wires from the valve to the "WATR SOLN" port.

The valve should not exceed the following specifications: Solenoid valve 24V AC 200Ma.

LIMITING BOARD



**CONNECT THE VALVE'S WIRES TO THE WATR SOLN (HOT WATER LOOP KIT FOR PRE-HEATING DOMESTIC WATER) TERMINAL LOCATED ON THE LIMITING BOARD.**



## WIRING FOR ALTERNA II (SERIAL NUMBER 995 OR MORE)

### CONNECTION DIAGRAM OF THE SOLENOID VALVE FOR THE OPTIONAL HOT WATER LOOP KIT FOR

The last step is the connection of the solenoid valve to the PC board of the Caddy Alterna II furnace. In order to do so, all you need to do is connect the wires from the valve to the "HOT H2O" port on the link board.

The valve should not exceed the following specifications: Solenoid valve 24V AC 200mA.

