

**INSTALLATION OF THE OPTIONAL
HOT WATER LOOP KIT FOR PRE-
HEATING OF DOMESTIC WATER
(PA08550)**

MAX CADDY FURNACE



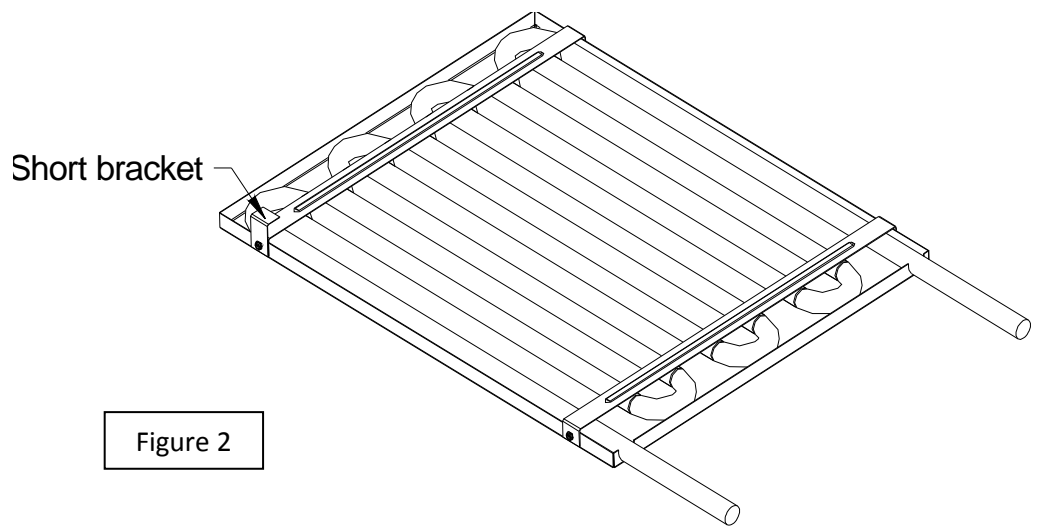
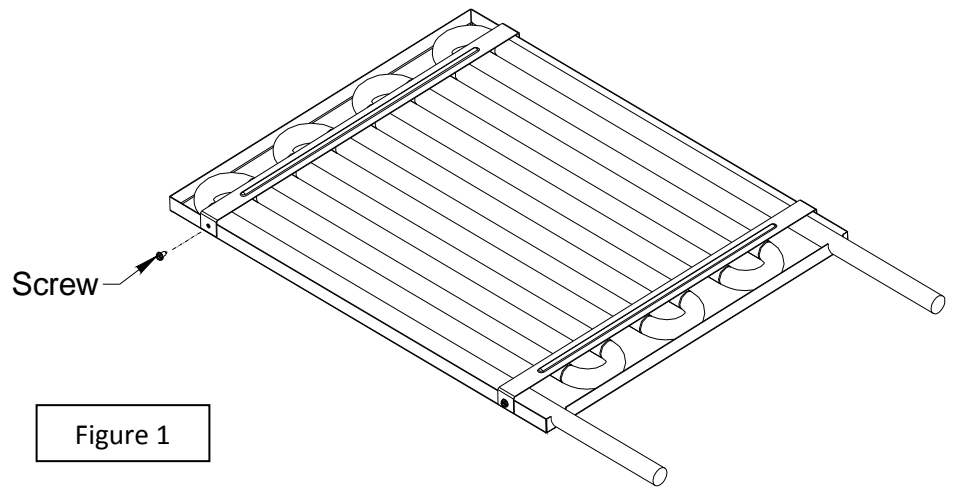
**This option can be installed on either side of your Max Caddy furnace.
It is important to note that this option requires a 60 gallons buffer tank.**

*For installation on the right hand side, follow steps 1 to 5 of section 1.
For installation on the left hand side, follow steps 1 to 5 of section 2.*

Section 1

INSTALLATION OF THE HOT WATER LOOP KIT FOR PRE-HEATING OF DOMESTIC WATER ON THE RIGHT HAND SIDE

Step 1: Remove the screw located on the left of the assembly as shown on figure 1. Keep this screw to install the "short" bracket supplied in the hardware kit as per figure 2.



Step 2: Remove the right panel as shown in figure 3 and save the screws for step 5.

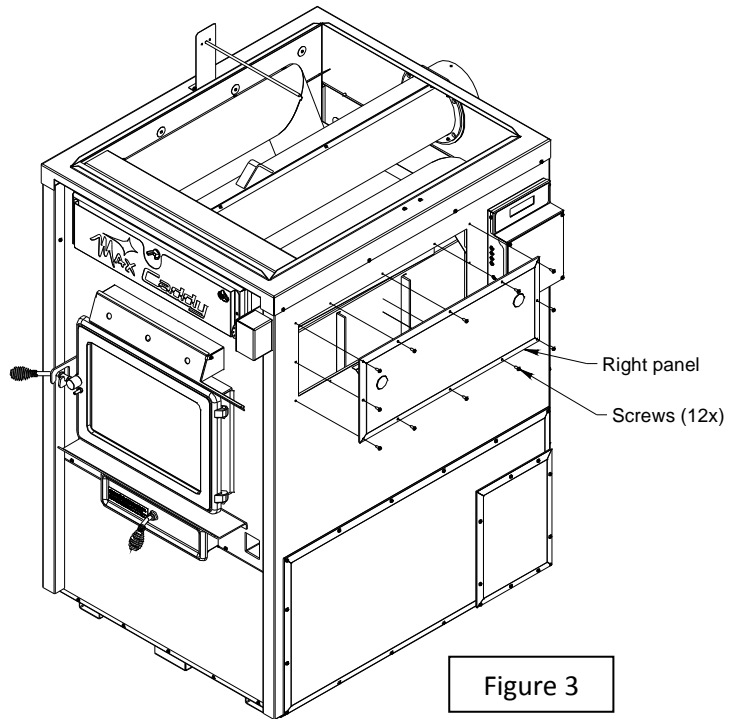


Figure 3

Step 3: Slide the hot water loop assembly into the furnace, between the firebox and the heat exchangers. It is important that the assembly be centered on the top of the firebox to ensure its stability and safe installation. (Figure 4)

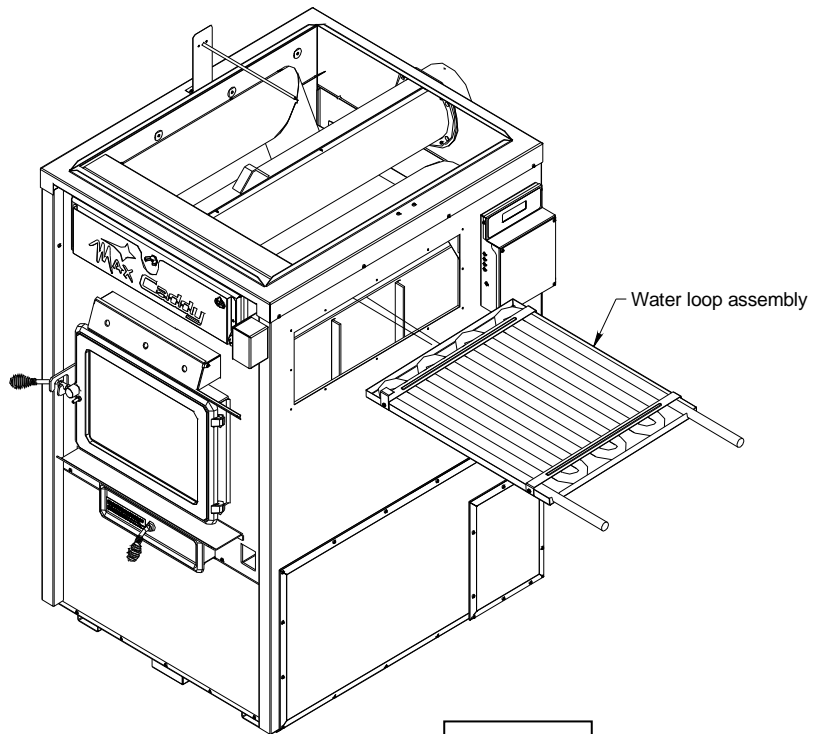


Figure 4

Cut view showing position of the hot water loop above the fire box. (Figure 5)

Short bracket

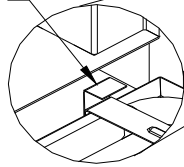
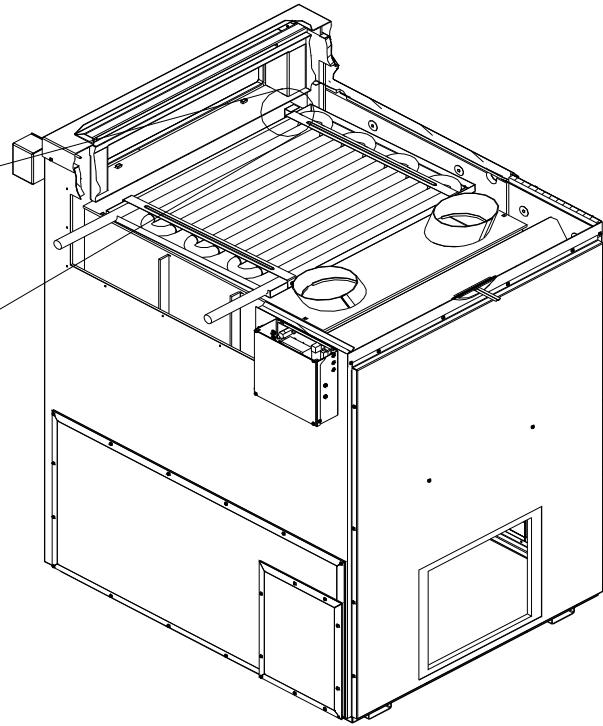


Figure 5



Step 4: Remove the knock-outs from the right side panel and install the grommets in the holes as shown on figure 6.

Grommets (2x)

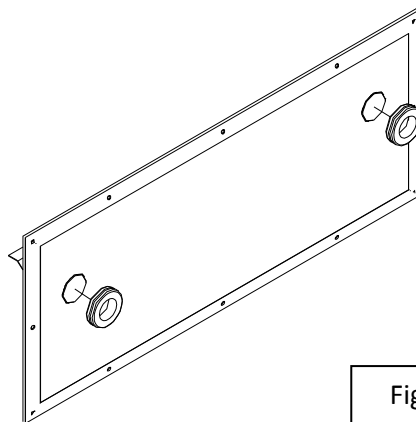


Figure 6

Step 5: Insert then slide the inlet and outlet tubes of the assembly through the grommets and secure the panel to the furnace using the screws removed in step 2. (Figure 7)

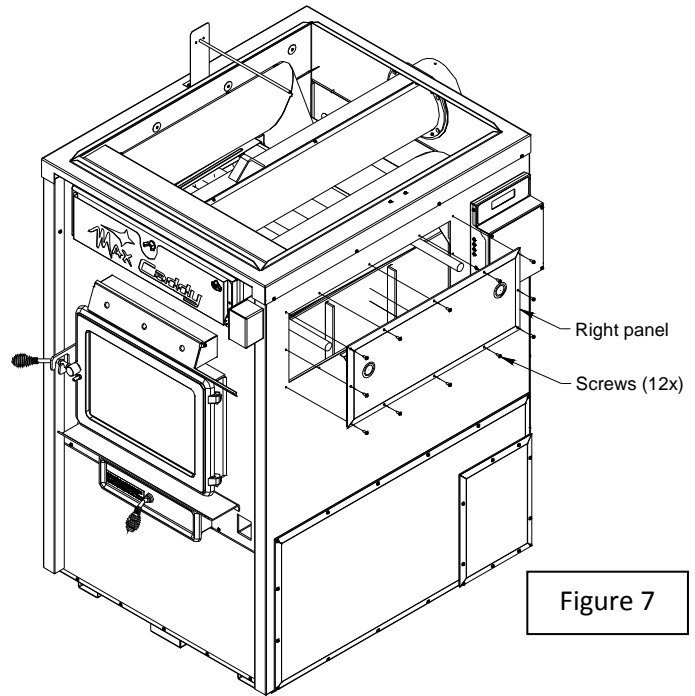


Figure 7

Identify the water inlet (lowest tube) and outlet (highest tube) for installation purposes. (Figure 8)

Diagrams for the hot water loop kit mechanical and electrical connection are included at the end of this document.

Connections should be performed by a qualified professional.

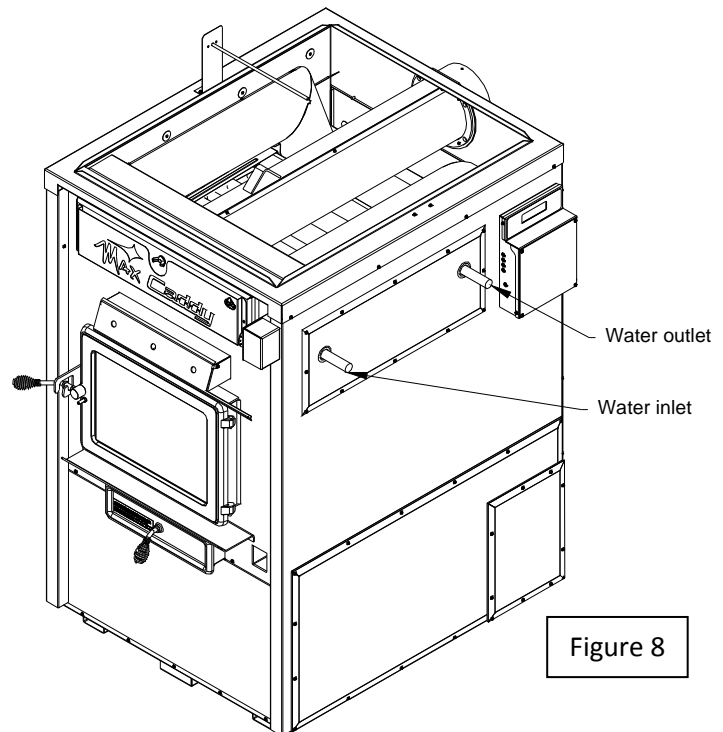
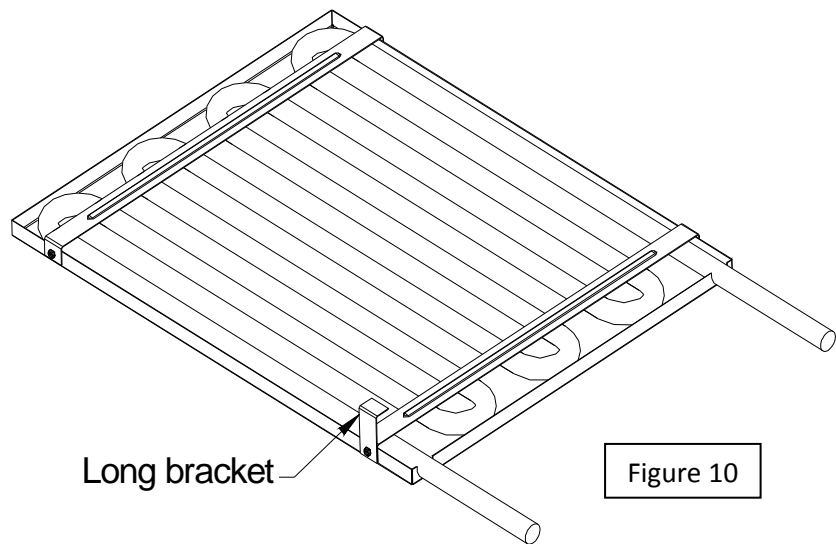
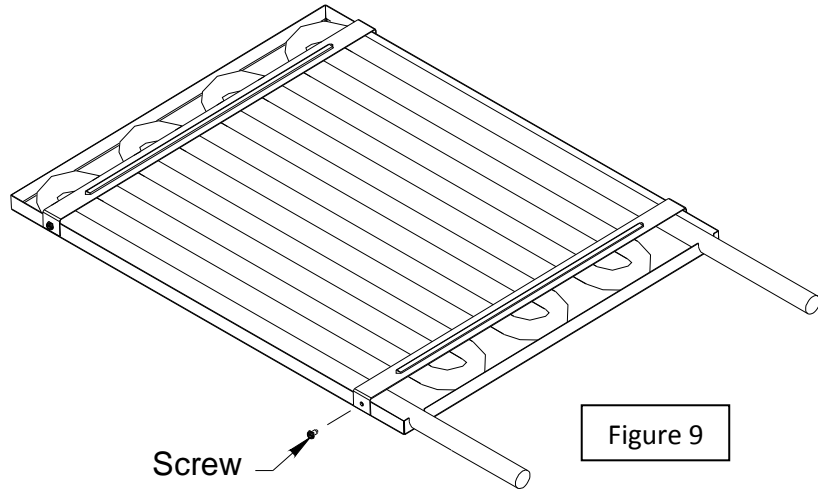


Figure 8

Section 2

INSTALLATION OF THE HOT WATER LOOP KIT FOR PRE-HEATING OF DOMESTIC WATER ON THE LEFT HAND SIDE

Step 1: Remove the screw located on the left of the assembly as shown on figure 9. Keep this screw to install the "Long" bracket supplied in the hardware kit as per figure 10.



Step 2: Remove the left panel as shown in figure 11 and save the screws for step 5.

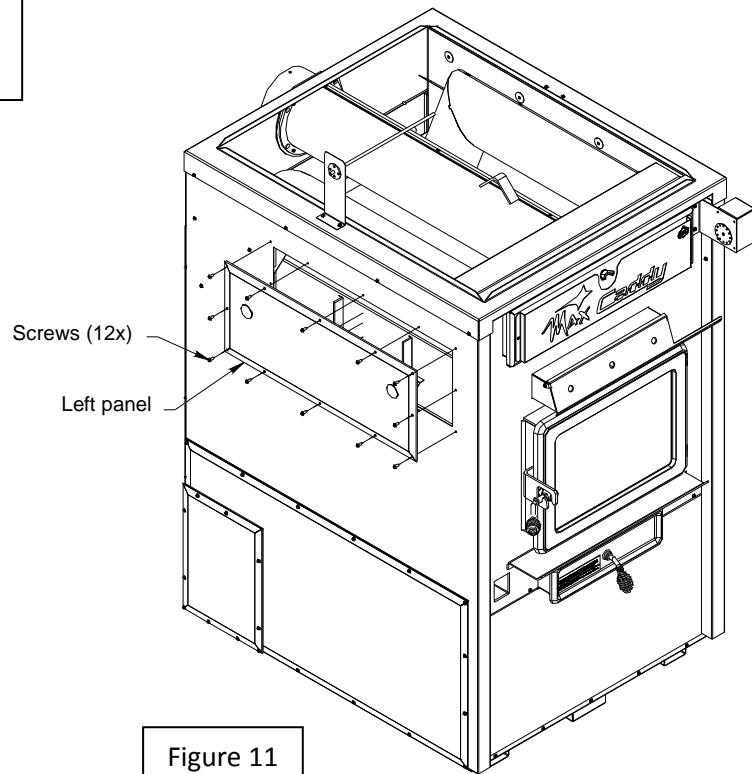


Figure 11

Step 3: Slide the hot water loop assembly into the furnace, between the firebox and the heat exchangers. It is important that the assembly be centered on the top of the firebox to ensure its stability and safe installation. (Figure 12)

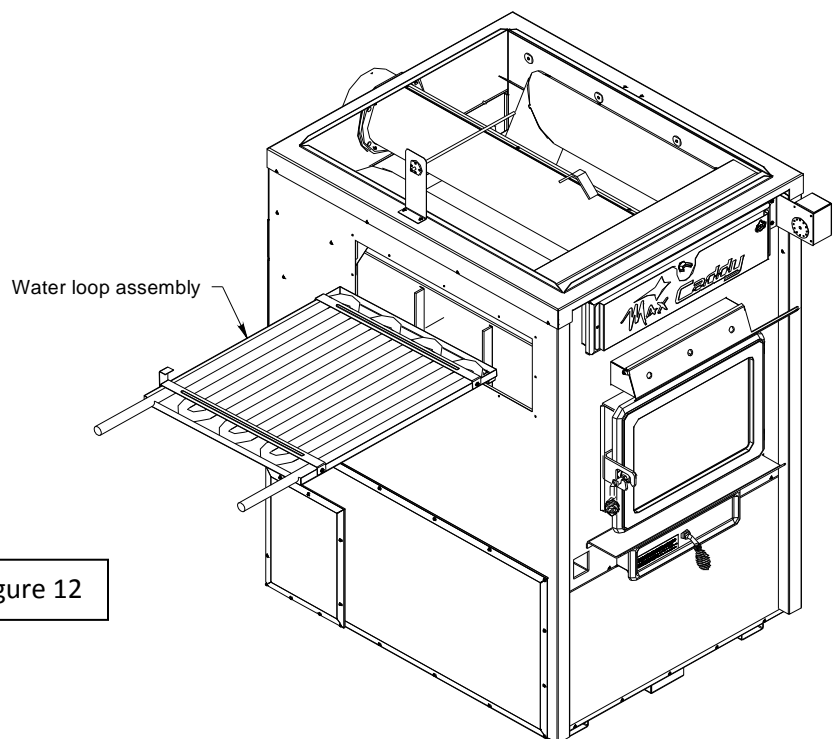


Figure 12

Cut view of the inside of the furnace with the hot water loop kit centered above the firebox. (Figure 13)

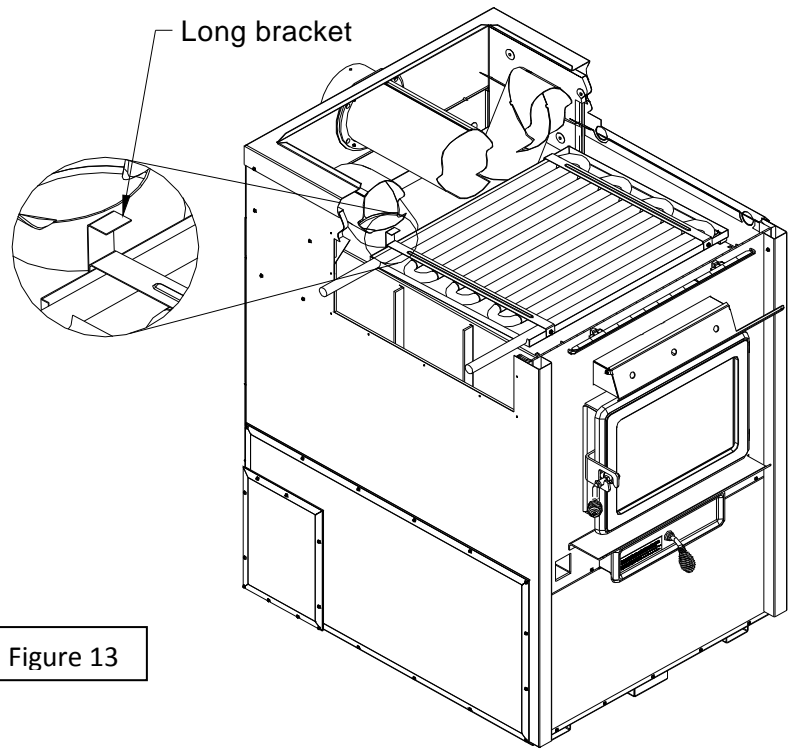


Figure 13

Step 4: Remove the knock-outs from the left side panel and install the grommets in the holes as shown in figure 14.

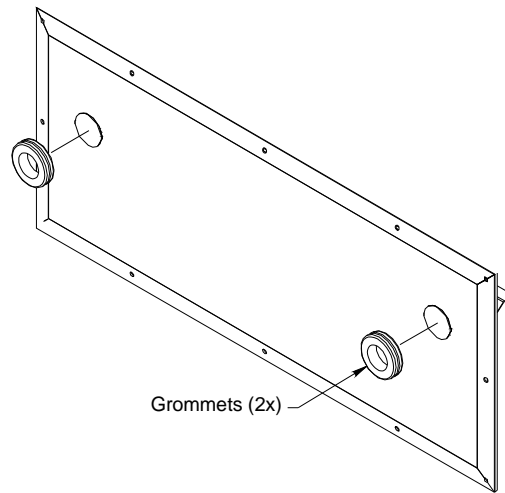


Figure 14

Step 5: Insert then slide the inlet and outlet tubes of the assembly through the grommets and secure the panel to the furnace using the screws removed in step 2. (Figure 15)

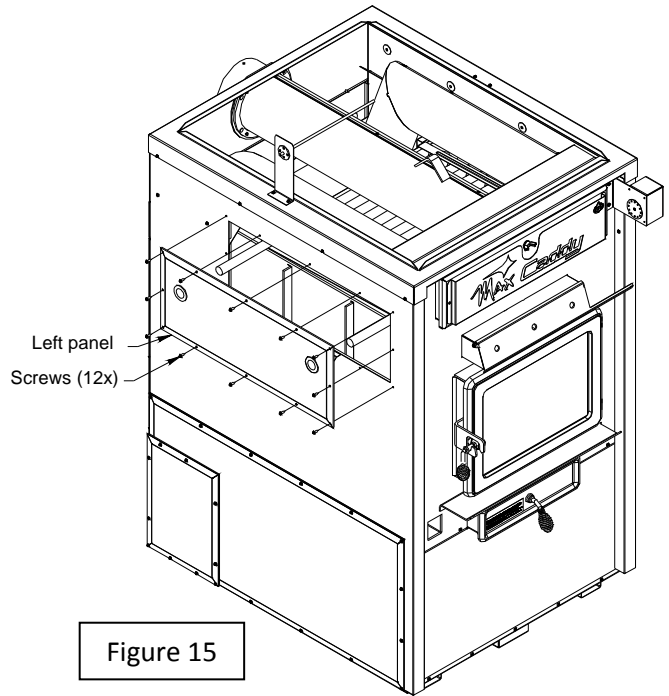


Figure 15

Identify the water inlet (lowest tube) and outlet (highest tube) for installation purposes. (Figure 16)

Diagrams for the suggested hot water loop kit mechanical and electrical connection are included at the end of this document.

Connections should be performed by a qualified professional.

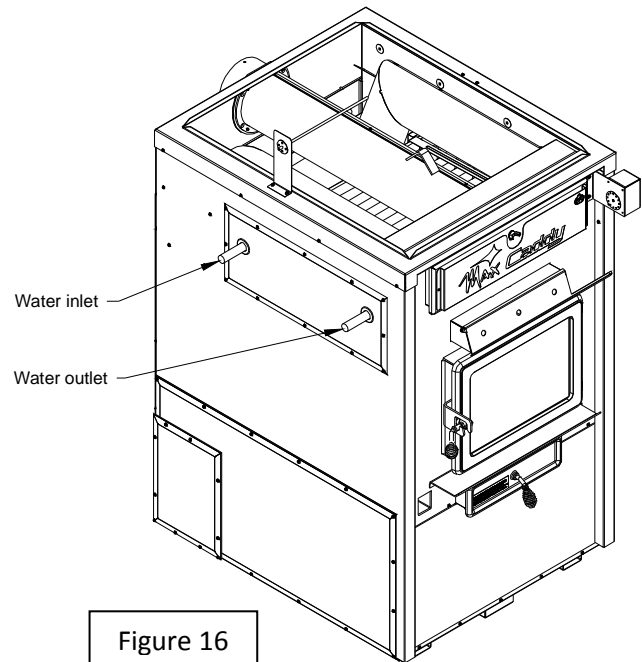


Figure 16

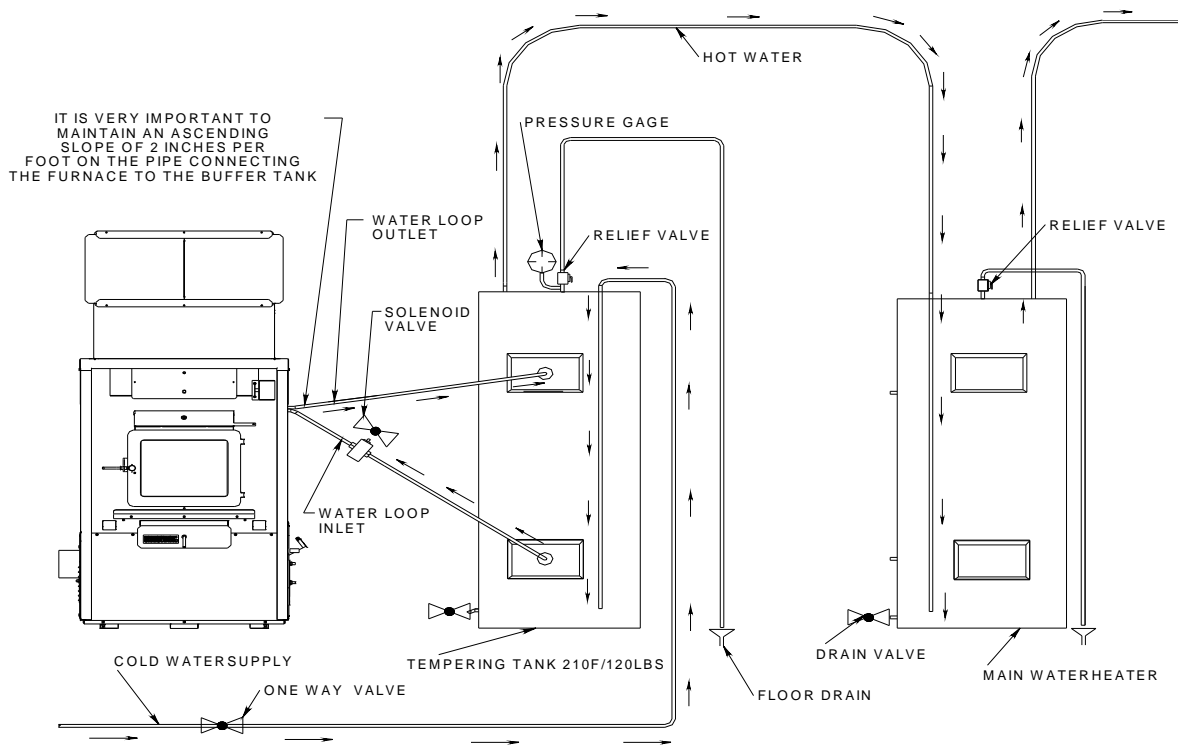
WARNING

TO AVOID RISK OF DAMAGE IN CASE OF WATER OVERHEATING, YOU MUST USE COPPER PIPES TO MAKE THE CONNECTIONS BETWEEN THE TEMPERING TANK AND THE HOT WATER LOOP KIT FOR PRE-HEATING OF DOMESTIC WATER, FOR BOTH THE INPUT AND OUTPUT OF THE WATER LOOP ASSEMBLY.

CONNECTION DIAGRAM FOR THE OPTIONAL HOT WATER LOOP KIT FOR PRE-HEATING OF DOMESTIC WATER

IT IS VERY IMPORTANT TO MAINTAIN AN ASCENDING SLOPE OF 2 INCHES PER FOOT ON THE PIPE CONNECTING THE FURNACE TO THE TOP INLET ON THE BUFFER TANK.

THE BUFFER TANK USED MUST HAVE A CAPACITY OF 60 GALLONS.



WIRING DIAGRAM

WE RECOMMEND TO INSTALL A 24 VAC, MAXIMUM 200Ma, NORMALLY OPENED SOLENOID VALVE ON THE INLET OF THE HOT WATER LOOP KIT TO PREVENT COLD WATER FROM CIRCULATING IN THE FURNACE WHEN NOT IN USE. CONNECT THE VALVE TO THE "WATR SOLN" PORT LOCATED ON THE LEFT SIDE IN THE FURNACE'S CONTROL BOARD.

This port will be energised when the temperature in the plenum reaches 49 °C (120° F).

